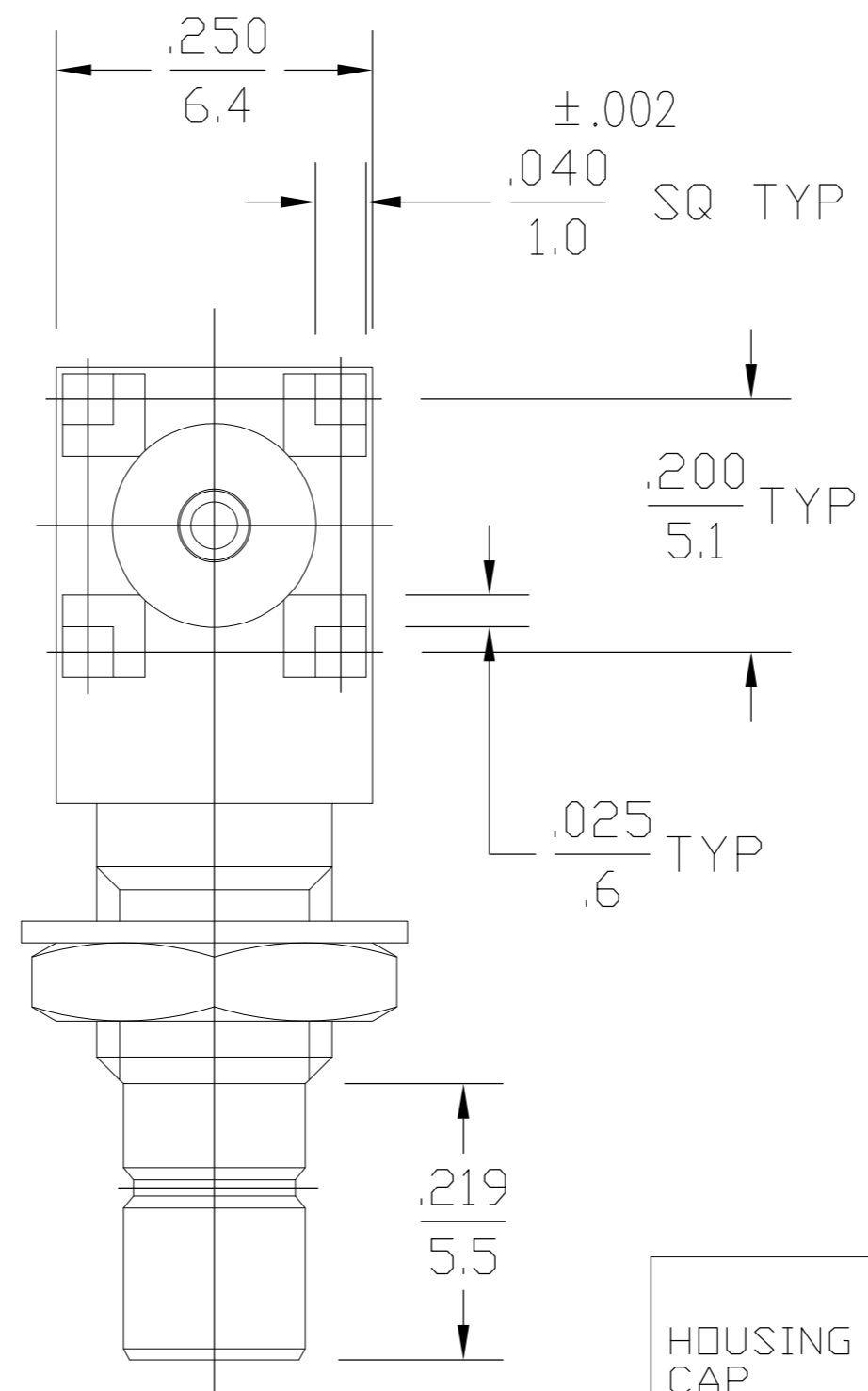
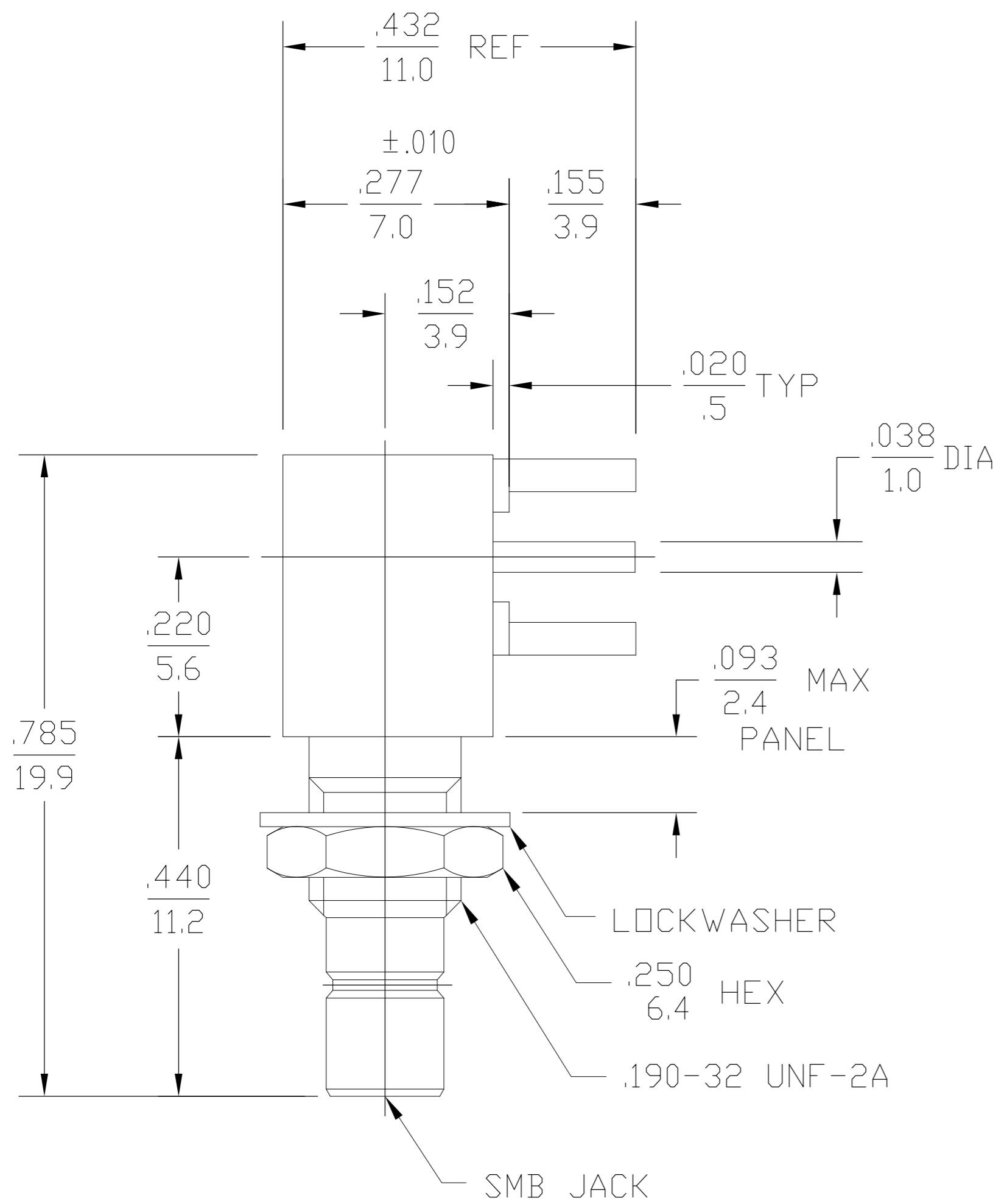


THIS DRAWING IS UNPUBLISHED. RELEASED FOR PUBLICATION
 © COPYRIGHT BY TYCO ELECTRONICS CORPORATION. ALL RIGHTS RESERVED.

LOC	DIST	REVISIONS					
AJ	00	P	LTR	DESCRIPTION	DATE	DWN	APVD
		C		REV PER ECO 07-027471	1/16/2008	DW	JL



DESIGN CONTROL REQUIRED

1084873-1
PART NUMBER

COMPONENT	MATERIAL	FINISH
HOUSING CAP MOUNTING NUT	BRASS PER ASTM-B-16 COMP. 360, HALF HARD	GOLD PLATE PER MIL-G-45204
DIELECTRIC	TFE FLUOROCARBON PER ASTM-D-1457	N/A
CENTER CONTACT	BRASS PER ASTM-B-16, HALF HARD	GOLD PLATE PER MIL-G-45204
LOCKWASHER	PHOSPHOR BRONZE PER QQ-B-750, GRADE B2 OR TIN BRASS PER ASTM-B-591	GOLD PLATE PER MIL-G-45204

NOTES:
1. CAPTURED CENTER CONTACT

THIS DRAWING IS A CONTROLLED DOCUMENT.		DWN TIM WAGNER 2/10/97	Tyco Electronics Corporation Harrisburg, PA 17105-3608	
DIMENSIONS: INCHES	TOLERANCES UNLESS OTHERWISE SPECIFIED:	CHK -	APVD D.CAMELIO 2/10/97	NAME SMB RIGHT ANGLE PRINTED CIRCUIT BOARD JACK RECEPTACLE STRAIGHT TERMINAL (1250-2762-09)
	0 PLC ± -	APPLICATION SPEC -	SIZE A2	RESTRICTED TO -
	1 PLC ± -		WEIGHT -	
MATERIAL -	FINISH -	SCALE 4:1	DRAWING NO 1084873-1	SHEET 1 of 1
CUSTOMER DRAWING		REV C		