

版数 VER.	年月日 DATE	図号 CN NO.	変更内容 DESCRIPTION	製図 DR.	担当 CHK.	査閲 APPD.	承認 APPD.
2	30/JUL/2014	010565	CHANGED FORM		M. SHIMADA	—	A. NATORI
3	26/MAY/2015	011670	ADDED THE DETAIL CONDITION ON THE PCB RESTRICTED AREA		M. SHIMADA	—	M. SHIMADA

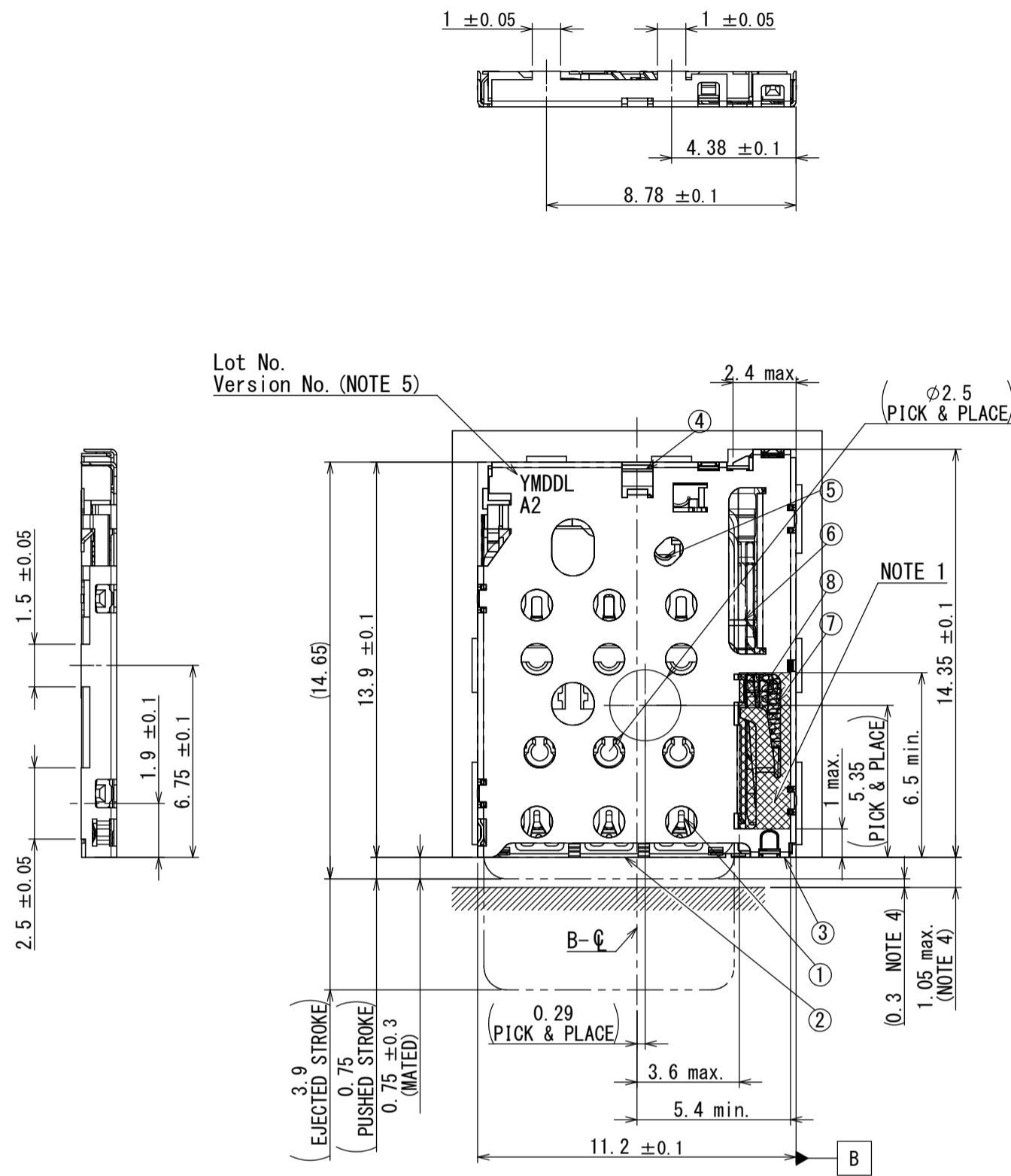


TABLE 1. FINISH

PART No.	PART NAME	BASE PLATING		TOP PLATING	
		CONTACT AREA	TERMINAL AREA	CONTACT AREA	TERMINAL AREA
①	CONTACT	Ni (2~6 μm)	Ni (1~6 μm)	Au (0.3 μm min.)	Au (0.03 μm min.)
③	COVER	-	-	-	
④	GROUND-FRAME (INCLUDES CSW)	Ni (1~6 μm)		Au (0.1 μm min.)	
⑤	DETECTION SWITCH	-		-	

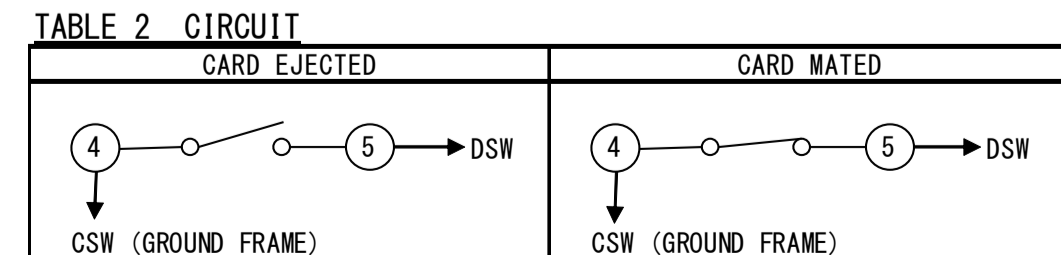
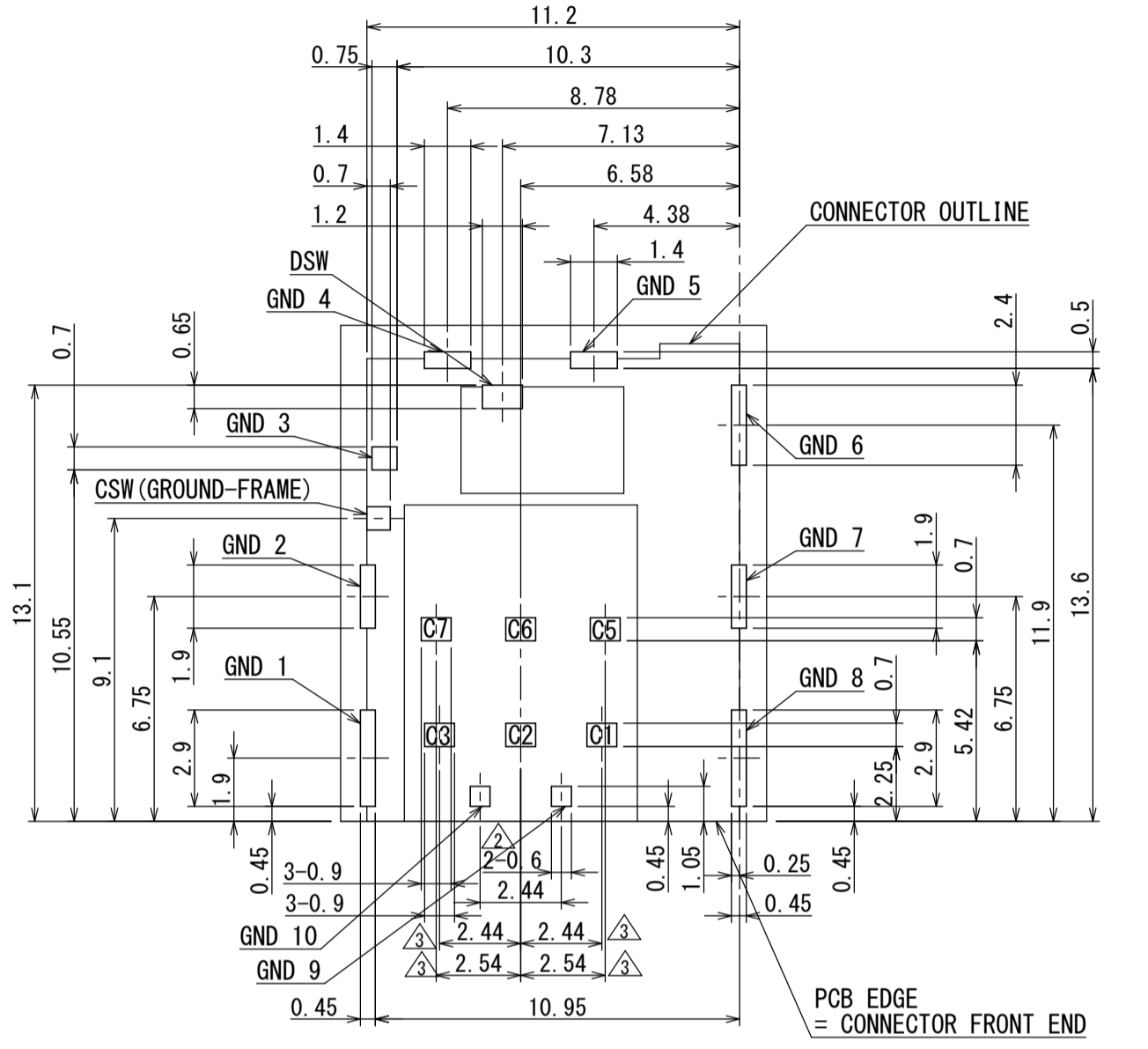
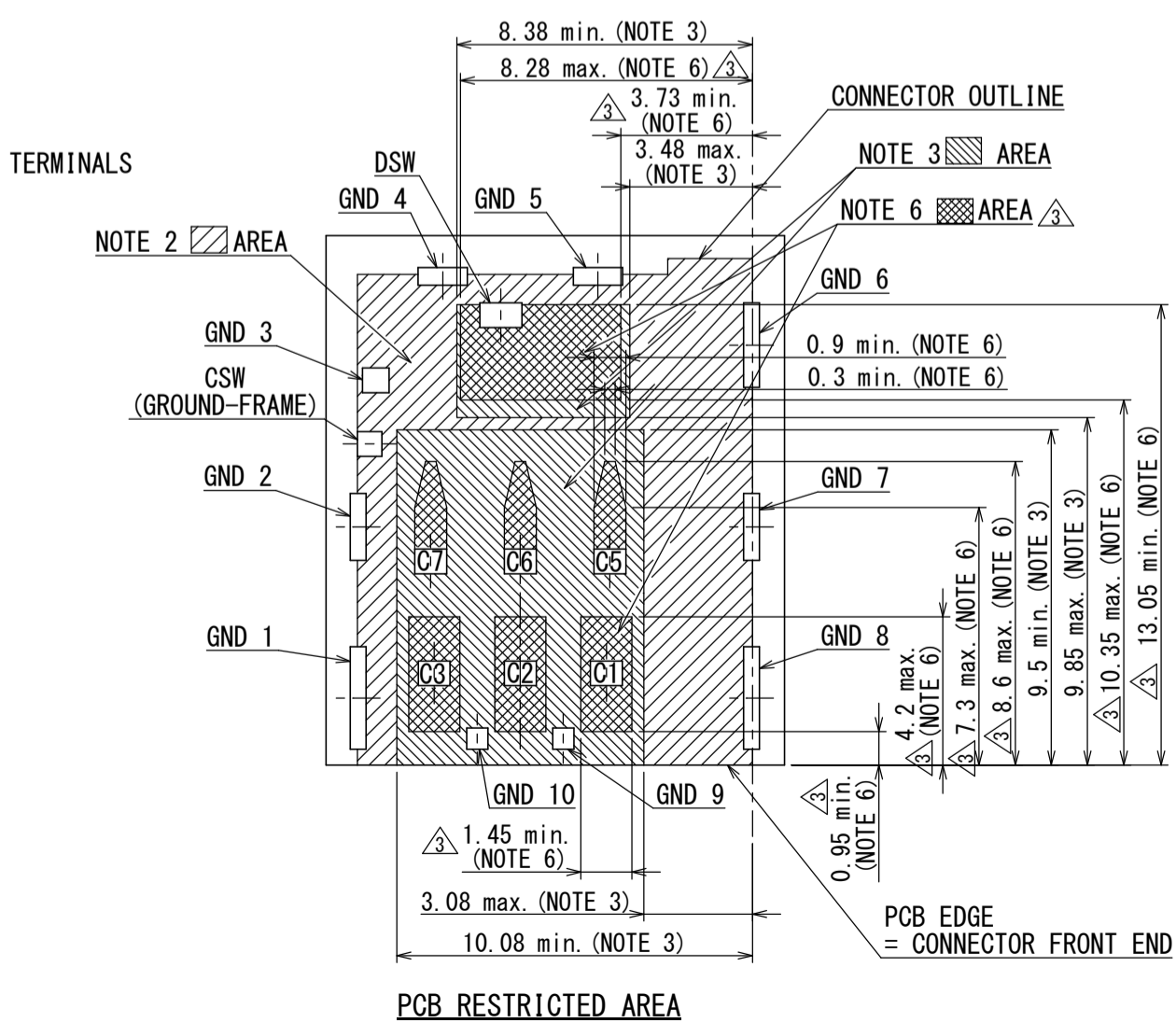
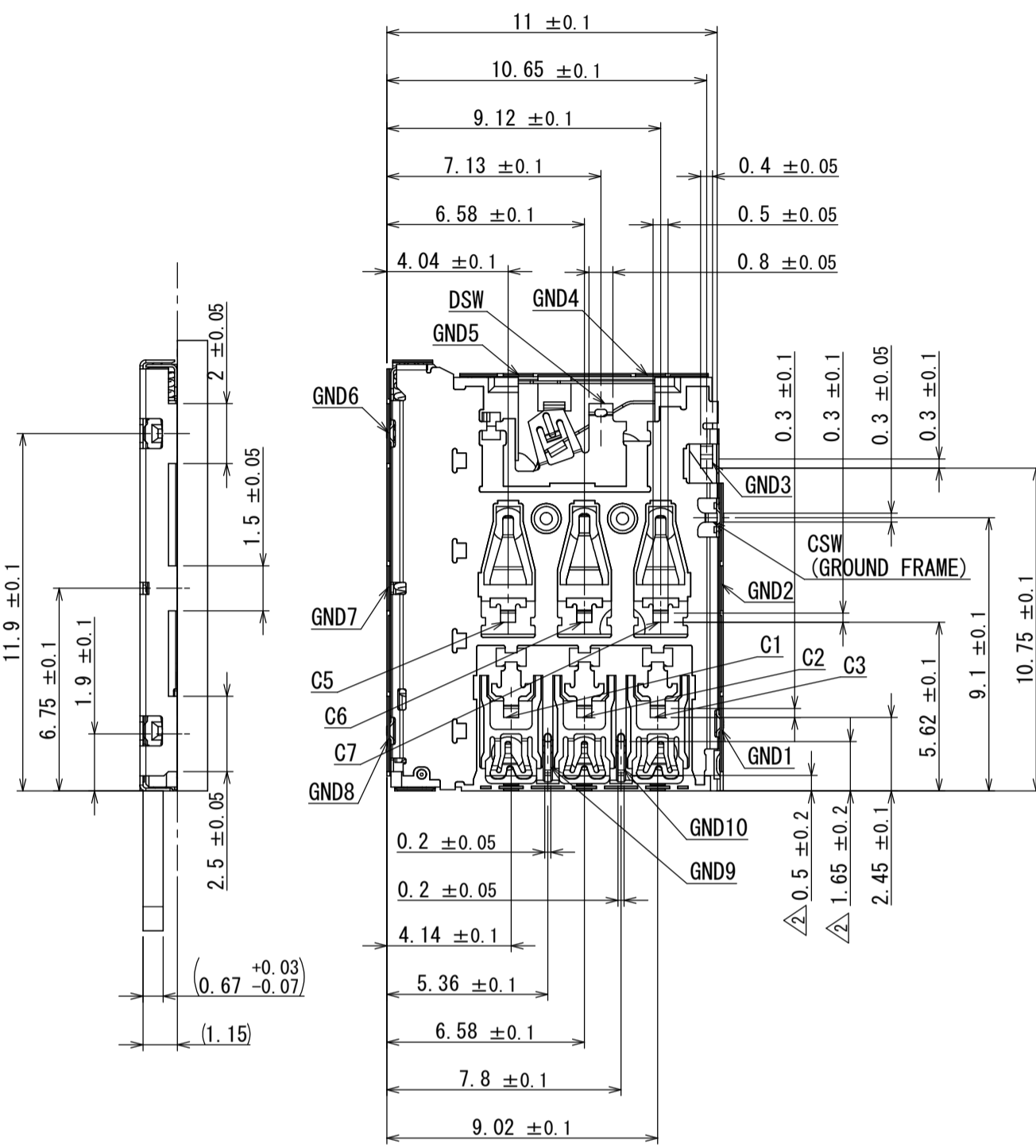


TABLE 3. PIN ASSIGNMENT

C1	Vcc
C2	RST
C3	CLK
C5	GND
C6	Vpp
C7	I/O



Applicable PCB Dimension

NOTE1. OTHER COMPONENTS CANNOT TOUCH OR REST ON TOP OF THIS AREA.
 NOTE2. ONLY GND PATTERN AND VIA HOLE ALLOWED IN THIS AREA.
 NOTE3. NO PATTERN AND VIA HOLE IN THIS AREA.
 NOTE4. CARD STOPPER POSITION.
 0.9Max (If DSW is not needed to use)
 NOTE5. LOT INFORMATION IS SHOWN AS BELOW.
 i.e. 4 5 1 2 1 A 2

VERSION NO.
 PRODUCTION LINE NO.
 PRODUCTION DATE (YMDD)

NOTE6. ONLY SAME LINE PATTERN AND VIA HOLE AS INCLUDED PAD ALLOWED IN THIS AREA.

符号 No.	名称 DESCRIPTION	個数 QTY.	材料 MATERIAL	仕上 FINISH	備考 REMARKS
8	CAM FOLLOWER	1	STAINLESS STEEL		
7	SPRING	1	STAINLESS STEEL		
6	EJECT BAR	1	GLASS FILLED PA9T		
5	DETECTION SWITCH (DSW)	1	COPPER ALLOY	Au OVER Ni (TABLE 1)	
4	GROUND FRAME	1	COPPER ALLOY	Au OVER Ni (TABLE 1)	
3	COVER	1	STAINLESS STEEL	Au (TABLE 1)	
2	HOUSING	1	GLASS FILLED LCP		
1	CONTACT	6	COPPER ALLOY	Au OVER Ni (TABLE 1)	

仕様書(SPECIFICATION) JACS-11019

第1版(ORIGINAL DATE) 12/MAY/2014

尺度(SCALE) 5:1

シリーズ(SERIES) SF72

名称(TITLE) SF72S006VBA

製図 DR. M. SHIMADA

担当 CHK. M. SHIMADA

査閲 APPD. A. NATORI

承認 APPD. A. NATORI

単位(UNIT): mm

質量(MASS)

図面番号(DRAWING NO.) SJ114535

版数(VER.) 3

SIZE A2