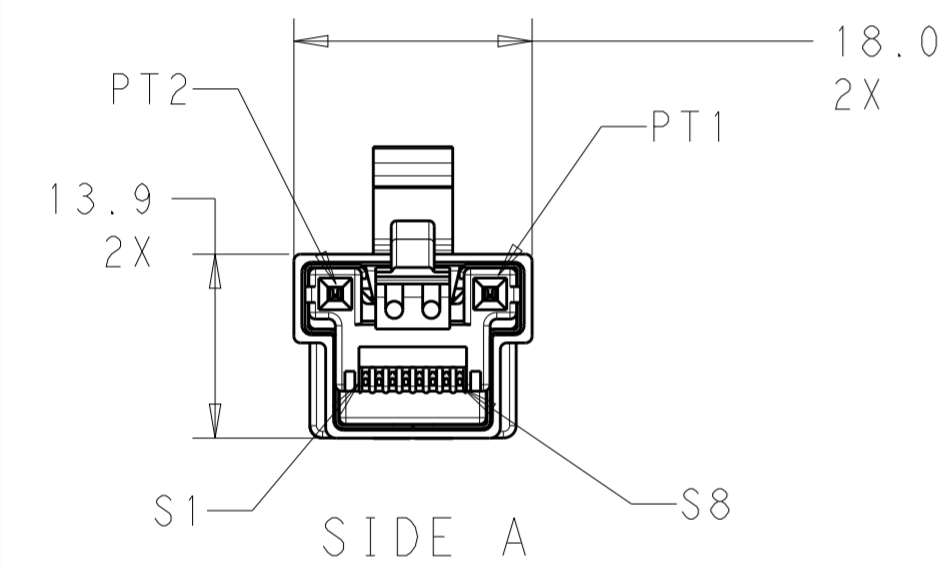
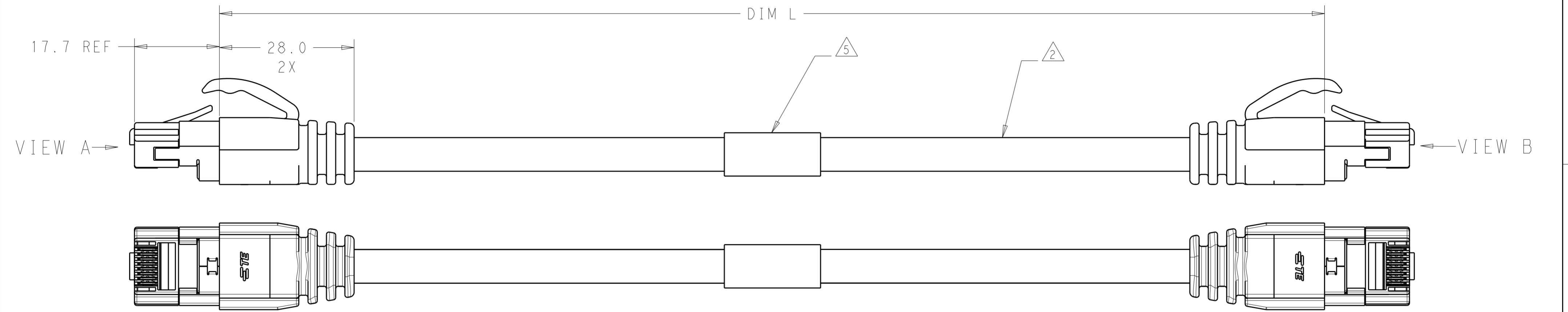


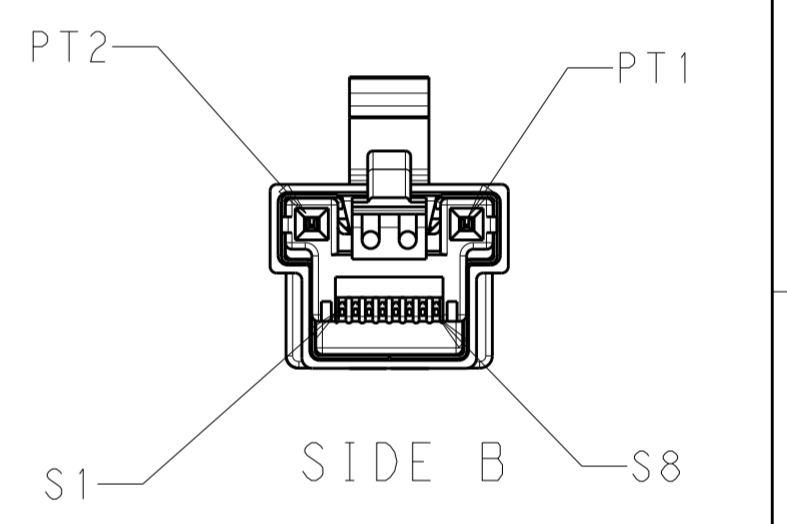
THIS DRAWING IS UNPUBLISHED. RELEASED FOR PUBLICATION 20
 © COPYRIGHT 20 BY - ALL RIGHTS RESERVED.

LOC		DIST		REVISIONS			
P	LTR	DESCRIPTION	DATE	DWN	APVD		
-	-	1	PROPOSED	09OCT2012	CD	MM	
-	-	-	-	-	-	-	



NOTES:

- 1 MATERIALS AND FINISH:
 - HOUSING: PC, COLOR: CLEAR
 - CONTACTS: COPPER ALLOY
FINISH: GOLD OVER NICKEL (SIGNAL CONTACTS)
GOLD OVER NICKEL (POWER CONTACTS)
 - CONNECTOR SHIELD: COPPER-ZINC ALLOY
FINISH: TIN OVER NICKEL
 - STRAIN RELIEF: TPV, COLOR: BLACK
- 2 CABLE SPECIFICATION:
 - JACKET: PVC, COLOR: RAL9017 - BLACK, OD 7.50 ±0.15
 - SIGNAL CONDUCTORS: 4 PAIR, 26AWG STRANDED (SHIELDED)
 - POWER CONDUCTORS: QTY 2, 18AWG STRANDED
 - MINIMUM BEND RADIUS: 50MM
 - -20 TO 80°C TEMPERATURE RANGE
 - UL444/CM CONSTRUCTION



- 3. MUST COMPLY WITH DIRECTIVE 2002/95/EC (ROHS)
- 4. THIS PRODUCT HAS NOT COMPLETED VALIDATION TESTING

5 LABEL CONTENT AS FOLLOWS:

TE P/N YY=YEAR
YYWW WW=WEEK

25000.0±250.0	2213121-4
10000.0±100.0	2213121-3
5000.0±50.0	2213121-2
2000.0±20.0	2213121-1
DIM "L"	PART NO.

SIGNAL WIRING DETAILS			
	COLOR	SIDE A	SIDE B
PAIR 1	WHITE/ORANGE STRIPE	1	1
	ORANGE	2	2
PAIR 2	WHITE/GREEN STRIPE	3	3
	BLUE	4	4
PAIR 3	WHITE/BLUE STRIPE	5	5
	GREEN	6	6
PAIR 4	WHITE/BROWN STRIPE	7	7
	BROWN	8	8

POWER CABLE CONNECTION			
	COLOR	SIDE A	SIDE B
	BLACK	PT1	PT1
	RED	PT2	PT2

THIS PRINT IS
PRELIMINARY
 UNQUALIFIED PRODUCT
 CONTACT PRODUCT ENGINEERING
 BEFORE USING THIS PRINT

THIS DRAWING IS A CONTROLLED DOCUMENT.

DIMENSIONS:	TOLERANCES UNLESS OTHERWISE SPECIFIED:	DWN	18MAY2012
mm	0 PLC ±	CHK	18MAY2012
	1 PLC ±0.2	M. MOSTOLIER	
	2 PLC ±0.13	APVD	
	3 PLC ±	NAME	
	4 PLC ±	PRODUCT SPEC	
	ANGLES ±3°	APPLICATION SPEC	108-64022
MATERIAL	FINISH	WEIGHT	
1			

PRELIMINARY

STE TE Connectivity
 CABLE ASSEMBLY,
 ETHERNET + POWER
 SHIELDED CABLE

SIZE	CAGE CODE	DRAWING NO	RESTRICTED TO
A200779	C-2213121		
CUSTOMER DRAWING		SCALE 7:4	SHEET 1 OF 1 REV 1