

# PRODUCT DATASHEET

## PART NUMBER: C6164NL

- Diplexer, 5-42/54-1002MHz
- Impedance = 75 Ohms
- Surface Mount / Metal Cover
- RoHS-Compliant

### Electrical Specifications @ 25°C

#### INSERTION LOSS : [COMMON TO LOW]

5-42 MHz	54-100 MHz	100-500 MHz	500-1002 MHz				
1.6 dB Max	45 dB Min	50 dB Min	40 dB Min				

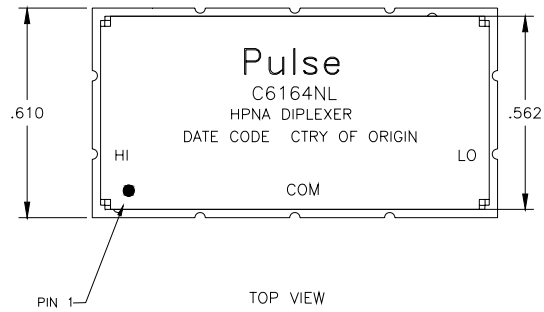
#### INSERTION LOSS : [COMMON TO HIGH]

5-37 MHz	37-42 MHz	54-1002 MHz					
50 dB Min	43 dB Min	1.6 dB Max					

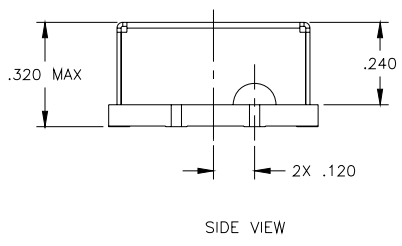
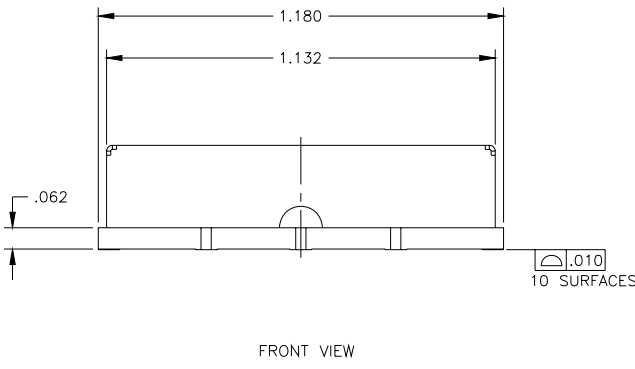
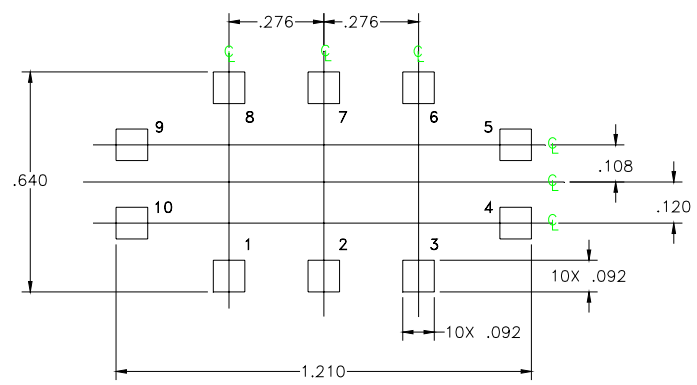
#### RETURN LOSS : [COMMON PORT]

5-42 MHz	54-1002 MHz						
12 dB Min	12 dB Min						

## Mechanical Specifications



DESIGNATIONS	
COMMON PORT (COM)	PIN 2
LOWPASS PORT (LO)	PIN 4
HIGHPASS PORT (HI)	PIN 10
GROUND (GND)	PINS 1 & 3
GROUND (GND)	PINS 5,6,7,8,9



DIMENSIONS	INCH
TOLERANCES	.XX +/- .01
	.XXX +/- .005