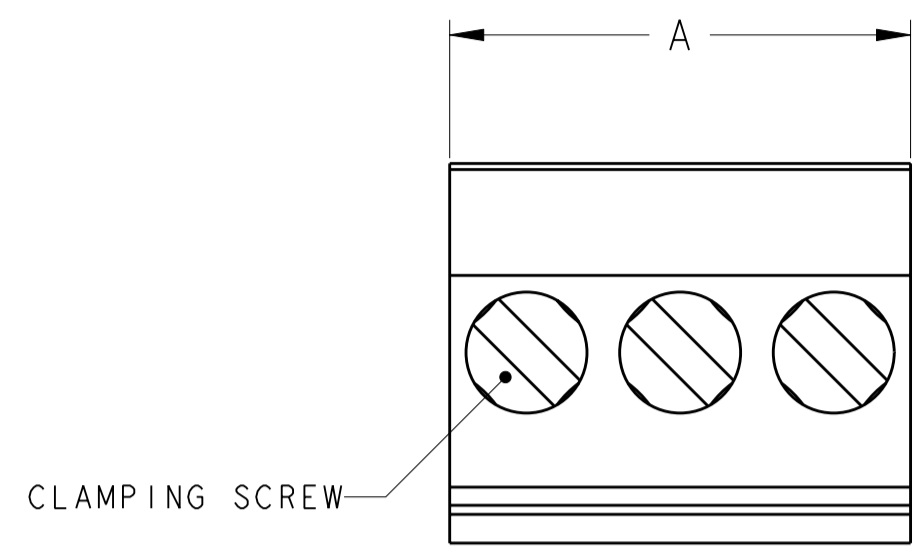
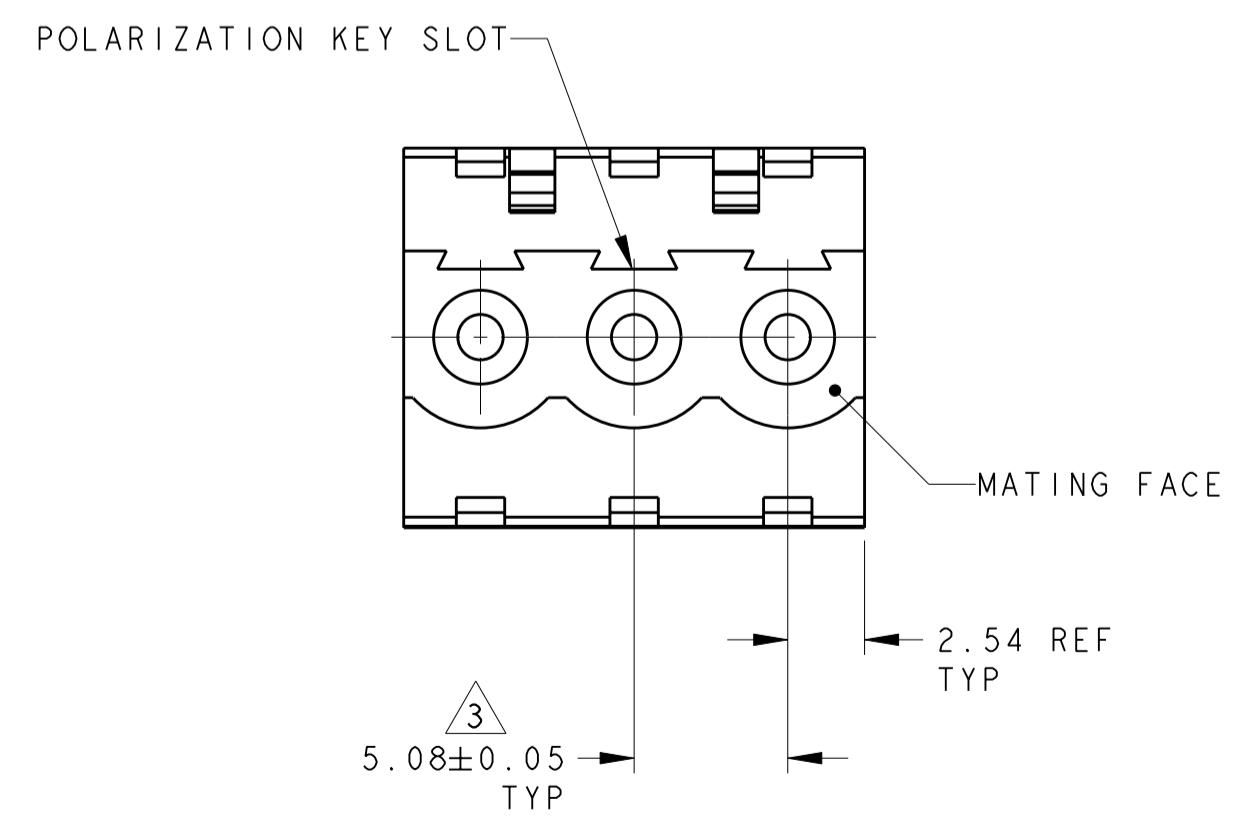
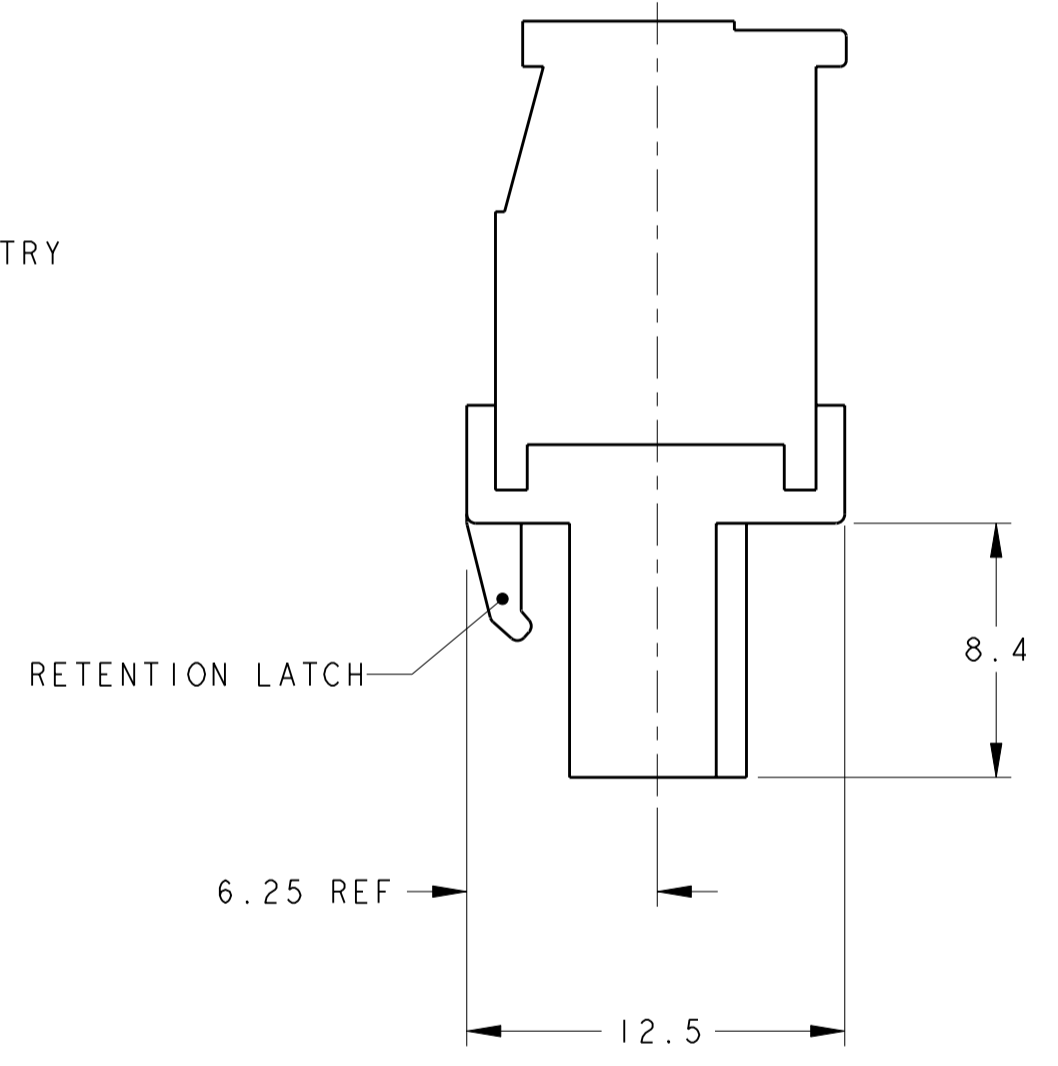
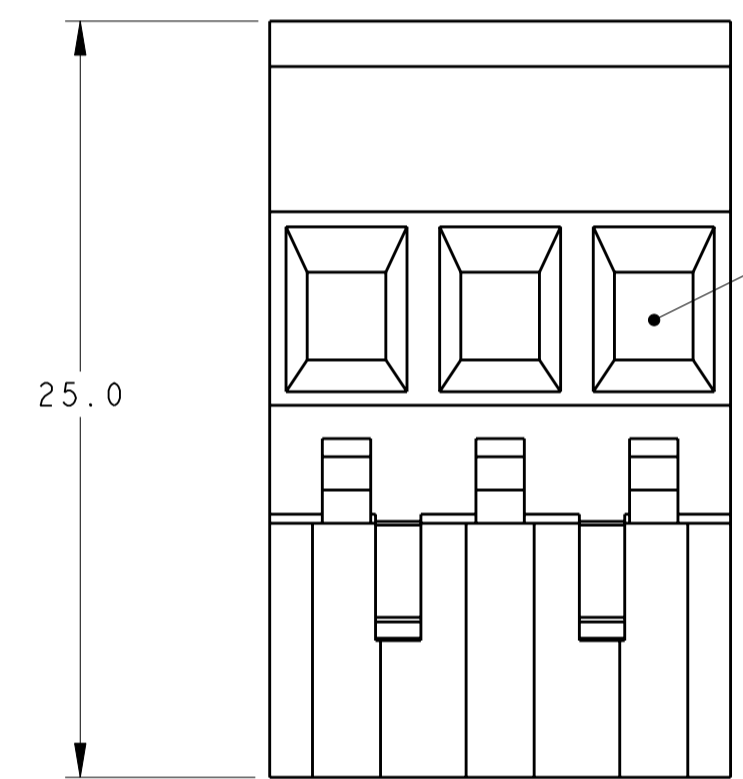


THIS DRAWING IS UNPUBLISHED. RELEASED FOR PUBLICATION 20
 © COPYRIGHT 20 BY TYCO ELECTRONICS CORPORATION. ALL RIGHTS RESERVED.

LOC	DIST	REVISIONS			
P	LTR	DESCRIPTION	DATE	DWN	APVD
FT	0	A	RELEASED	11APR2007	SW CR



- 1 MATERIALS AND FINISH
 HOUSING: PA 6-6, UL 94-V0, COLOR: GRAY.
 CLAMP: BRASS, NICKEL PLATED.
 CONTACT SPRING : PHOSPHOR BRONZE, TIN PLATED.
 CLAMPING SCREW: M3, BRASS, NICKEL PLATED.
- 2. WIRE SIZE RANGE: 12 - 30 AWG
- 3 NOT CUMULATIVE TOLERANCE.
- 4 CHARACTERS MARKED IN PERMANENT WHITE COLOR.



127.00	25	2-1546122-5
121.92	24	2-1546122-4
116.84	23	2-1546122-3
111.76	22	2-1546122-2
106.68	21	2-1546122-1
101.60	20	2-1546122-0
96.52	19	1-1546122-9
91.44	18	1-1546122-8
86.36	17	1-1546122-7
81.28	16	1-1546122-6
76.20	15	1-1546122-5
71.12	14	1-1546122-4
66.04	13	1-1546122-3
60.96	12	1-1546122-2
55.88	11	1-1546122-1
50.80	10	1-1546122-0
45.72	9	1546122-9
40.64	8	1546122-8
35.56	7	1546122-7
30.48	6	1546122-6
24.40	5	1546122-5
20.32	4	1546122-4
15.24	3	1546122-3
10.16	2	1546122-2
A	NO OF POSN	PART NUMBER

THIS DRAWING IS A CONTROLLED DOCUMENT FOR TYCO ELECTRONICS CORPORATION IT IS SUBJECT TO CHANGE AND THE CONTROLLING ENGINEERING ORGANIZATION SHOULD BE CONTACTED FOR THE LATEST REVISION.		DWN S.WELDON 11APR2007 CHK C.RICHARD 11APR2007 APVD C.RICHARD 11APR2007	BUCHANAN Tyco Electronics Harrisburg, PA 17105-3608
DIMENSIONS: mm	TOLERANCES UNLESS OTHERWISE SPECIFIED: 0 PLC ±.3 1 PLC ±.25 2 PLC ±.25 3 PLC ±. 4 PLC ±. ANGLES ±2 FINISH	PRODUCT SPEC - APPLICATION SPEC - WEIGHT -	NAME TERMINAL BLOCK, VERTICAL PLUG, STACKING, RIGHT HAND, 5.08mm PITCH
MATERIAL 1 -	1 -	CUSTOMER DRAWING	SIZE A2 CAGE CODE 00779 DRAWING NO. 1546122 RESTRICTED TO - SCALE 4:1 SHEET 1 OF 1 REV A