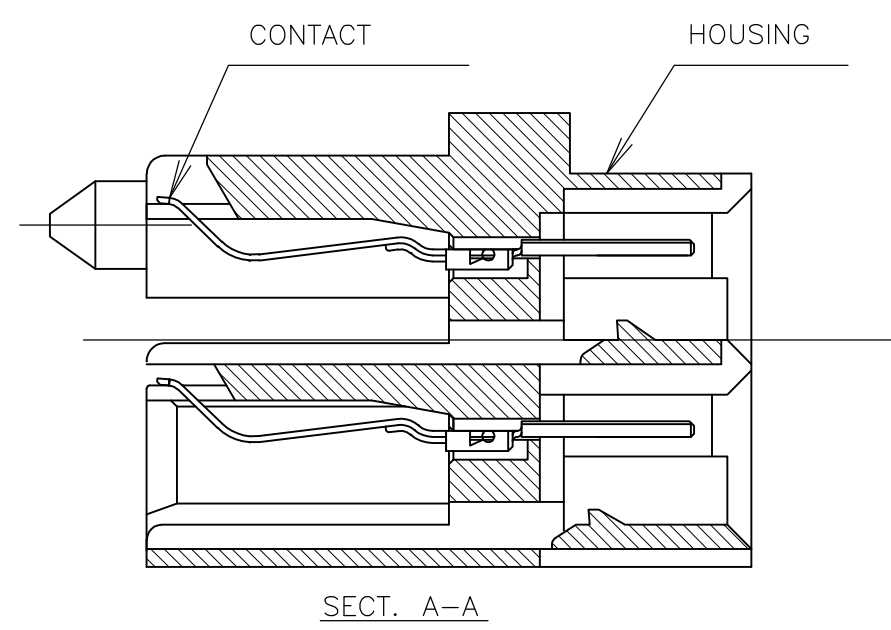
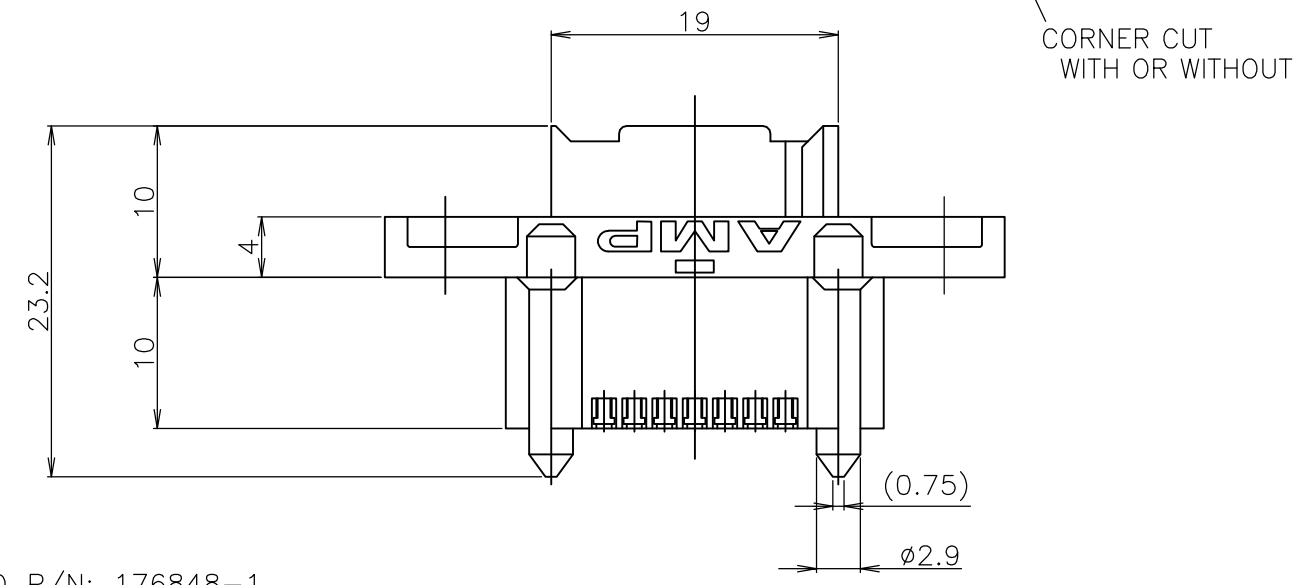
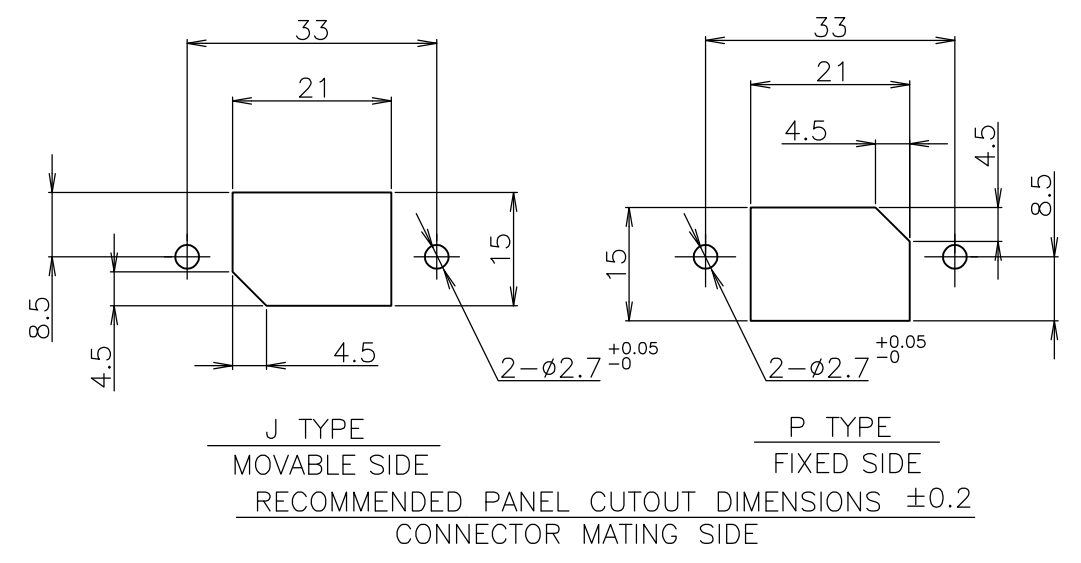
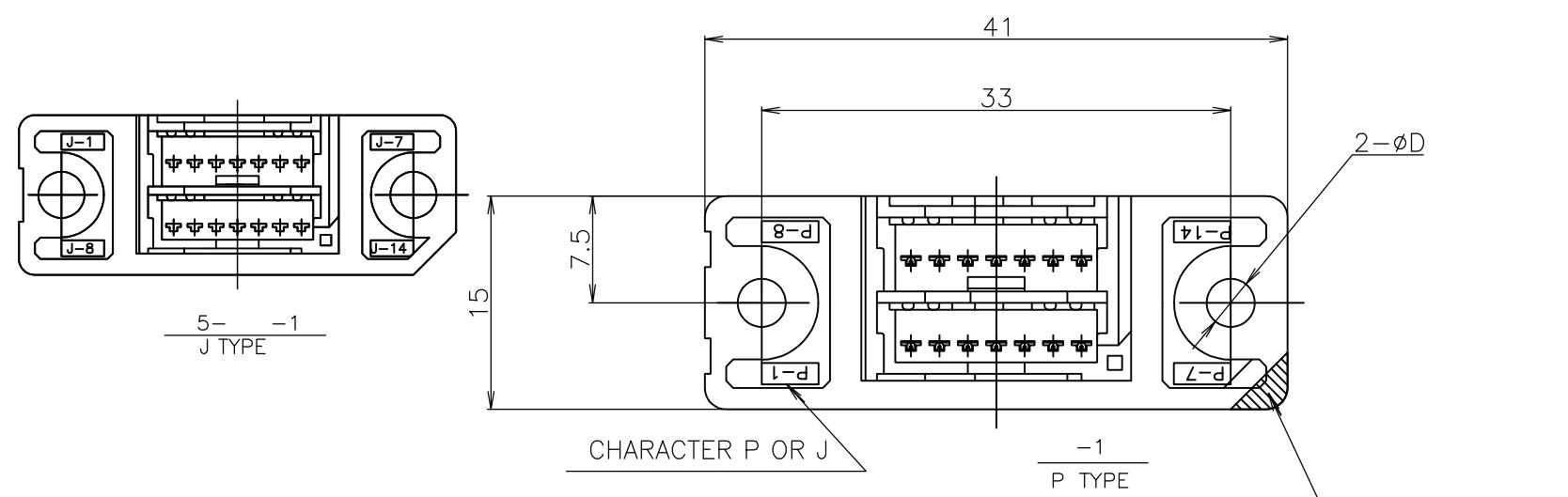
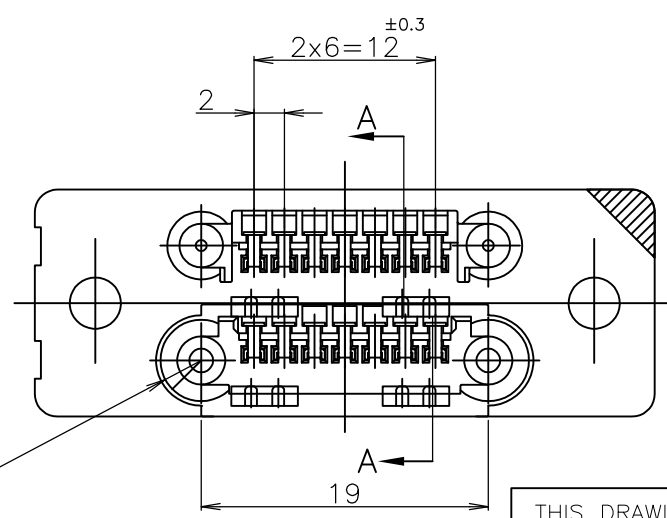


THIS DRAWING IS UNPUBLISHED. RELEASED FOR PUBLICATION
 © COPYRIGHT - By - ALL RIGHTS RESERVED.

LOC	DIST	REVISIONS					
ES	00	P	LTR	DESCRIPTION	DATE	DWN	APVD
		A1		REVISED PER ECO-11-005033	28MAR11	RK	HMR



- NOTES:
- 1 APPLIED USE THRED P/N: 176848-1
 - 2 PRODUCT SPEC.: 108-60021
 - 3 MATERIAL:
HOUSING: THERMOPLASTIC UL94V-0(COLOR: SEE TABLE)
CONTACT: COPPER ALLOY
 - 4 FINISH:
CONTACT: NICKEL PL. ALL OVER
CONTACT AREA: GOLD PL.
POST AREA: MATTE TIN PL.
 - 5 THIS FLOATING ALLOWANCE USED TAPPING SCREW P/N: 176848-1



GRAY	LONGITUDINAL	0.6	CUT	4.4	↑	6-	↑	-1
GRAY	LATERAL	1.0	CUT	4.4	J	5-		-1
BLACK	LONGITUDINAL	0.6	-	3.4	↑	1-		-1
BLACK	LATERAL	1.0	-	3.4	P			292177-1
HOUSING COLOR	5	FLOATING ALLOWANCE	CORNER CUT	øD	TYPE	P/N		

TOLERANCE

10 ≥ *	: ±0.2
30 ≥ * > 10	: ±0.25
100 ≥ * > 30	: ±0.3
ANGLE	: ±3°

THIS DRAWING IS A CONTROLLED DOCUMENT.

DWN	J. JIANG	05FEB03	 TE Connectivity	
CHK	S. YAO	05FEB03		
APVD	T. SASAKI	05FEB03		
PRODUCT SPEC	NAME			
APPLICATION SPEC	NAME		14P MINI-DRAWER CONNECTOR	
WEIGHT	SIZE	CAGE CODE	DRAWING NO	RESTRICTED TO
CUSTOMER DRAWING	A3	00779	C-292177	-
	SCALE	NTS	SHEET	1 OF 1
			REV	A1