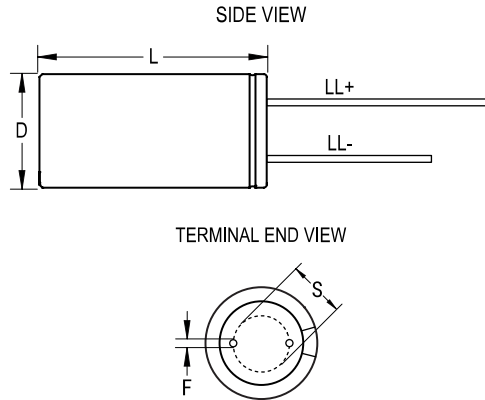


ESG, Aluminum Electrolytic, 105C LowZ, 47 uF, 20%, 250 VDC, -40/+105C, Lead Spacing = 7.5mm



**Dimensions**

<b>D</b>	16mm +/-0.5mm
<b>L</b>	20mm +2mm
<b>S</b>	7.5mm +/-0.5mm
<b>LL Negative</b>	15mm MIN
<b>LL Positive</b>	20mm MIN
<b>F</b>	0.8mm NOM

**Packaging Specifications**

<b>Packaging:</b>	Bulk, Bag
<b>Packaging Quantity:</b>	1000

**General Information**

<b>Supplier:</b>	KEMET
<b>Series:</b>	ESG
<b>Dielectric:</b>	Aluminum Electrolytic
<b>Description:</b>	Long Life Single Ended Aluminum Electrolytic
<b>Features:</b>	Long Life
<b>RoHS:</b>	Yes
<b>Lead:</b>	Wire Leads

**Specifications**

<b>Capacitance:</b>	47 uF
<b>Capacitance Tolerance:</b>	20%
<b>Voltage DC:</b>	250 VDC, 300 VDC (Surge)
<b>Temperature Range:</b>	-40/+105C
<b>Rated Temperature:</b>	105C
<b>Life:</b>	5000 Hrs
<b>Dissipation Factor:</b>	15.00% 120Hz 20C
<b>Ripple Current:</b>	275 mAmps (120kHz 105C)
<b>Leakage Current:</b>	715 uA (2min 20C)
<b>Impedance Ratio at -25C:</b>	3
<b>Impedance Ratio at -40C:</b>	6

Statements of suitability for certain applications are based on our knowledge of typical operating conditions for such applications, but are not intended to constitute - and we specifically disclaim - any warranty concerning suitability for a specific customer application or use. This Information is intended for use only by customers who have the requisite experience and capability to determine the correct products for their application. Any technical advice inferred from this Information or otherwise provided by us with reference to the use of our products is given gratis, and we assume no obligation or liability for the advice given or results obtained.