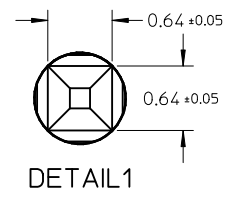
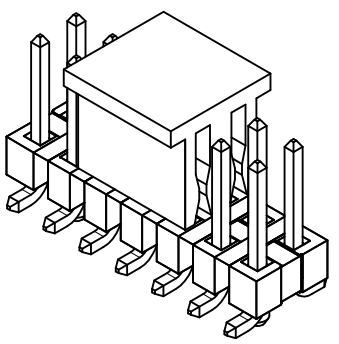
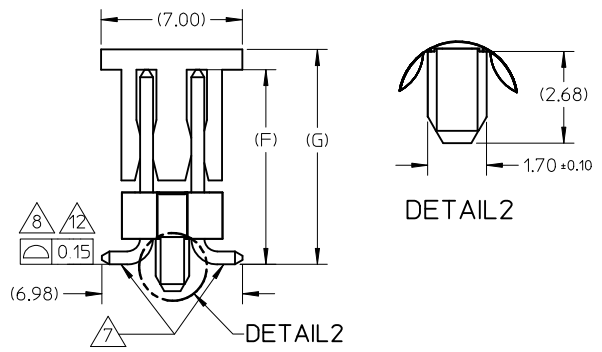
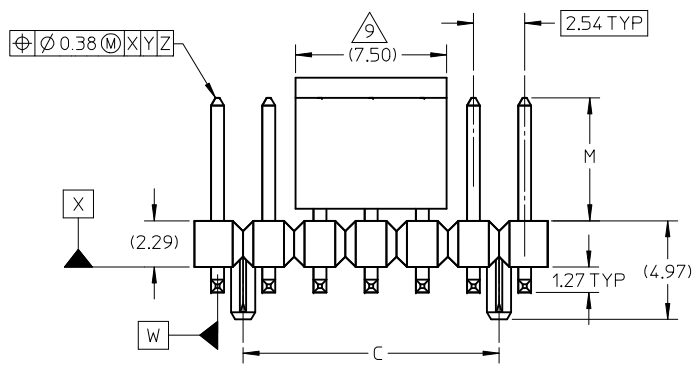


RECOMMENDED PCB LAYOUT

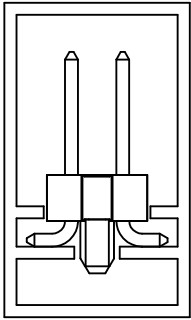
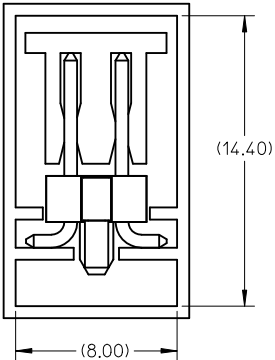
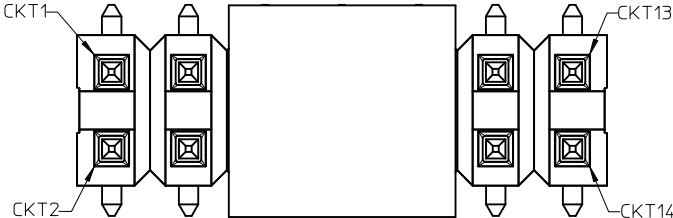


- NOTES:
- MATERIAL:  
HSG: LCP, GLASS-FILLED, UL94V-0, COLOR: BLACK  
CAP: NYLON, GLASS-FILLED, UL94V-0, COLOR: BLACK  
PIN: 0.64MM SQ, COPPER ALLOY
  - PLATING TYPE:  
(1) 0.38µm MIN. GOLD PLATE ON CONTACT AND 2.00µm MIN. TIN ON SOLDER TAIL OVER 1.25µm MIN. NICKEL OVERALL.  
(2) 0.75µm MIN. GOLD PLATE ON CONTACT AND 2.00µm MIN. TIN ON SOLDER TAIL OVER 1.25µm MIN. NICKEL OVERALL.  
(3) 2.50µm MIN. TIN OVERALL 1.25µm MIN. NICKEL OVERALL
  - PACKAGING TYPE: SEE TABLE
  - PCB THICKNESS 1.60+/-0.10mm
  - PRODUCT SPECIFICATION: PS-87920-019
  - WAFER TO BE FLAT WITHIN 0.003 mm/mm
  - BEND DEPRESSION IS ACCEPTED SO LONG AS IT DOES NOT AFFECT THE OVERALL COPLANARITY OF TAIL
  - COPLANARITY IS TO BE MEASURED BY RESTING THE SOLDER TAIL ON A FLAT SURFACE
  - CAP LOCATION IS CENTERED ALONG THE MATING ENDS AS SHOWN. TOP SURFACE OF CAP TO BE FLAT FOR THE PURPOSE OF PICK & PLACE BY VACUUM SUCTION NOZZLE
  - IRREGULAR CIRCUIT CUTOFF WITHIN BREAKAWAY SECTION IS PERMISSIBLE. CUTTING OR CHIPPING OF THE MAIN BODY IS NOT ACCEPTABLE
  - PARTS ARE NOT STACKABLE ON 2.54 CENTER
  - COPLANARITY FOR SIZES UP TO 40 IS 0.15MM.
  - THE ABOVE CKT 14 IS FOR ILLUSTRATION PURPOSE ONLY
  - TUBE LENGTH IS 560MM PER STANDARD
  - CKT 4 & 6 TO BE PACKED IN BULK/TRAY PACKING
  - PACKAGING SPECIFICATION: TUBE: PK-89990-478  
TAPE & REEL : PK-89990-479

|   |  |                                       |             |   |                         |              |                        |                        |  |  |  |
|---|--|---------------------------------------|-------------|---|-------------------------|--------------|------------------------|------------------------|--|--|--|
| ADD P/N: 87920-9120<br>EC NO: S2011-0043<br>DRWN:SKANG 2010/07/14<br>CHKD:ATSEE 2010/08/02<br>APPR:MLONG 2010/08/03 | QUALITY SYMBOLS<br>$F_A=0$<br>$F_C=0$<br>$F_P=0$ | GENERAL TOLERANCES (UNLESS SPECIFIED) |             | DIMENSION STYLE<br>MM ONLY  |                         | SCALE<br>NTS | DESIGN UNITS<br>METRIC | THIRD ANGLE PROJECTION |  |  |  |
|   |  | mm                                    | INCH        | DRAWN BY  | DATE                    | TITLE        |                        |                        |  |  |  |
|   |  | 4 PLACES                              | ± ---       | ± ---   | SKLIM01                 | 2006/02/09   | CUSTOM HEADER          |                        |  |  |  |
|   |  | 3 PLACES                              | ± ---       | ± ---   | CHECKED BY              | DATE         | 2.54MM PITCH DUAL ROW  |                        |  |  |  |
| 2 PLACES  | ± 0.2  | ± ---                                 | PATEY       | 2006/02/16  | HEADER SINGLE WAFER SMT |              |                        |                        |  |  |  |
| 1 PLACE   | ± ---  | ± ---                                 | APPROVED BY | DATE  | MOLEX INCORPORATED      |              |                        |                        |  |  |  |
| ANGULAR ± 3 °   |  | MATERIAL NO.                          |             | MLONG   | 2010/02/08              | DOCUMENT NO. |                        |                        |  |  |  |
| DRAFT WHERE APPLICABLE MUST REMAIN WITHIN DIMENSIONS  |  | SEE TABLE                             |             | SD-87920-020  |                         | SHEET NO.    |                        |                        |  |  |  |
|   |  | SIZE                                  |             | THIS DRAWING CONTAINS INFORMATION THAT IS PROPRIETARY TO MOLEX INCORPORATED AND SHOULD NOT BE USED WITHOUT WRITTEN PERMISSION |                         |              |                        |                        |  |  |  |
| D6  |  | REV                                   |             |   |                         |              |                        |                        |  |  |  |

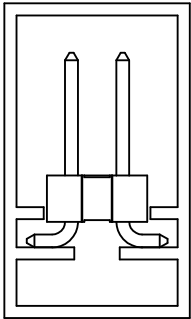
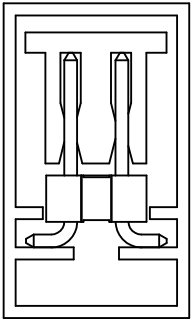
PART PACKED IN TUBE ORIENTATION

CIRCUITS POSITION CONFIGURATION



PART WITH PEGS WITH CAP IN TUBE

PART WITH PEGS WITHOUT CAP IN TUBE



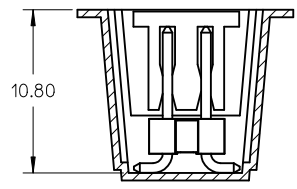
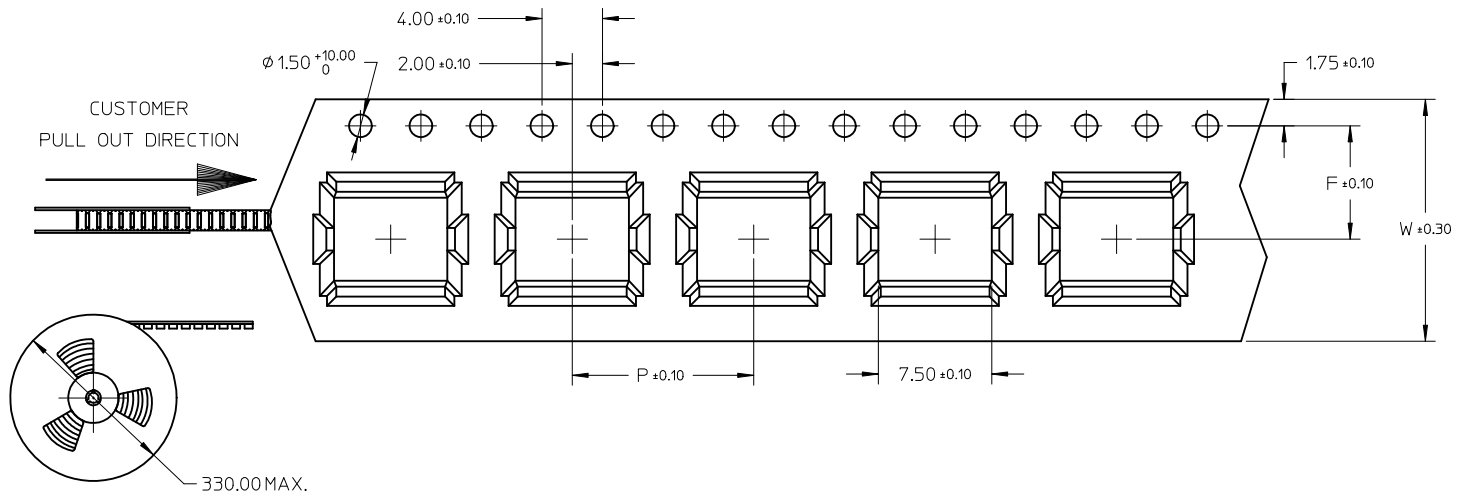
PART WITHOUT PEGS WITH CAP IN TUBE

PART WITHOUT PEGS WITHOUT CAP IN TUBE

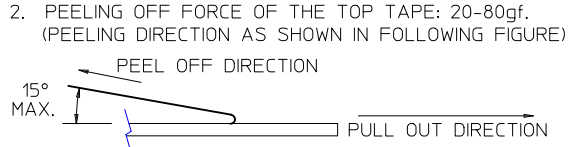
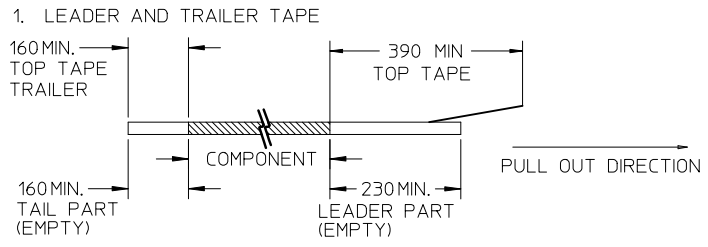
| ADD P/N: 87920-9120<br>EC NO: S2011-0043<br>DRWN:SKANG 2010/07/14<br>CHKD:ATSEE 2010/08/02<br>APPR:MLONG 2010/08/03 | QUALITY SYMBOLS<br>$\nabla_A = 0$<br>$\nabla_C = 0$<br>$\nabla_P = 0$ | GENERAL TOLERANCES (UNLESS SPECIFIED)<br><table border="1"> <thead> <tr> <th></th> <th>mm</th> <th>INCH</th> </tr> </thead> <tbody> <tr> <td>4 PLACES</td> <td>± ---</td> <td>± ---</td> </tr> <tr> <td>3 PLACES</td> <td>± ---</td> <td>± ---</td> </tr> <tr> <td>2 PLACES</td> <td>± 0.2</td> <td>± ---</td> </tr> <tr> <td>1 PLACE</td> <td>± ---</td> <td>± ---</td> </tr> </tbody> </table> |   | mm                 | INCH          | 4 PLACES | ± ---  | ± ---  | 3 PLACES                  | ± ---                        | ± --- | 2 PLACES | ± 0.2 | ± --- | 1 PLACE | ± --- | ± --- | DIMENSION STYLE<br><b>MM ONLY</b> | SCALE<br>NTS | DESIGN UNITS<br>METRIC | THIRD ANGLE PROJECTION |
|---|---|--|---|--------------------|---------------|----------|--|--|---------------------------|------------------------------|-------|----------|-------|-------|---------|-------|-------|-----------------------------------|--------------|------------------------|------------------------|
|   |   | mm   | INCH  |                    |               |          |  |  |                           |                              |       |          |       |       |         |       |       |                                   |              |                        |                        |
|   | 4 PLACES  | ± ---  | ± ---   |                    |               |          |  |  |                           |                              |       |          |       |       |         |       |       |                                   |              |                        |                        |
|   | 3 PLACES  | ± ---  | ± ---   |                    |               |          |  |  |                           |                              |       |          |       |       |         |       |       |                                   |              |                        |                        |
| 2 PLACES  | ± 0.2   | ± ---  |   |                    |               |          |  |  |                           |                              |       |          |       |       |         |       |       |                                   |              |                        |                        |
| 1 PLACE   | ± ---   | ± ---  |   |                    |               |          |  |  |                           |                              |       |          |       |       |         |       |       |                                   |              |                        |                        |
| D6  | DESCRIPTION<br>DRAFT WHERE APPLICABLE MUST REMAIN WITHIN DIMENSIONS   | <table border="1"> <thead> <tr> <th>mm</th> <th>INCH</th> </tr> </thead> <tbody> <tr> <td>ANGULAR ± 3 °</td> <td></td> </tr> </tbody> </table>   | mm  | INCH               | ANGULAR ± 3 ° |          | DRAWN BY: SKLIM01<br>DATE: 2006/02/09<br>CHECKED BY: PATEY<br>DATE: 2006/02/16<br>APPROVED BY: MLONG<br>DATE: 2010/02/08 | TITLE<br>CUSTOM HEADER<br>2.54MM PITCH DUAL ROW<br>HEADER SINGLE WAFER SMT | MATERIAL NO.<br>SEE TABLE | DOCUMENT NO.<br>SD-87920-020 |       |          |       |       |         |       |       |                                   |              |                        |                        |
| mm  | INCH  |  |   |                    |               |          |  |  |                           |                              |       |          |       |       |         |       |       |                                   |              |                        |                        |
| ANGULAR ± 3 °   |   |  |   |                    |               |          |  |  |                           |                              |       |          |       |       |         |       |       |                                   |              |                        |                        |
|   |   |  | SIZE<br>A3  | MOLEX INCORPORATED |               |          | SHEET NO.<br>2 OF 11   |  |                           |                              |       |          |       |       |         |       |       |                                   |              |                        |                        |
|   |   |  | THIS DRAWING CONTAINS INFORMATION THAT IS PROPRIETARY TO MOLEX INCORPORATED AND SHOULD NOT BE USED WITHOUT WRITTEN PERMISSION |                    |               |          |  |  |                           |                              |       |          |       |       |         |       |       |                                   |              |                        |                        |

|     |      |       |       |
|-----|------|-------|-------|
| CKT | F    | P1    | W     |
| 04  | 7.50 | 12.00 | 16.00 |

THIS TYPE OF CARRIER TAPE IS FOR CKT SIZE 04 ONLY



NOTES:

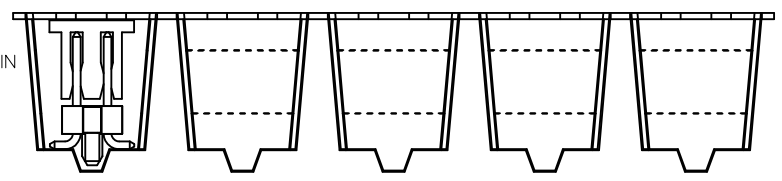
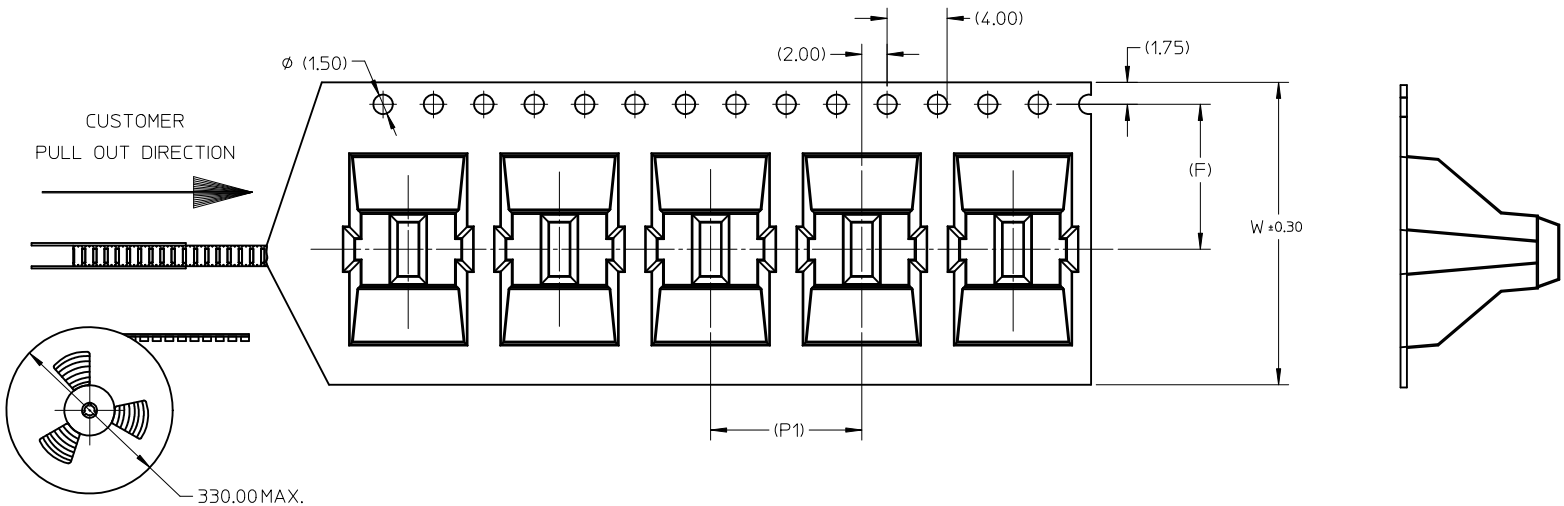


- 3. PACKAGING STANDARD IS AS PER EIA-481.
- 4. TAPE & REEL QUANTITY = 500 PCS/REEL
- 5. THE TAPE IS TREATED FOR ANTI-STATIC.

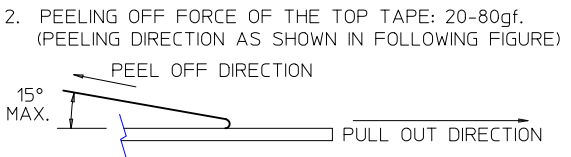
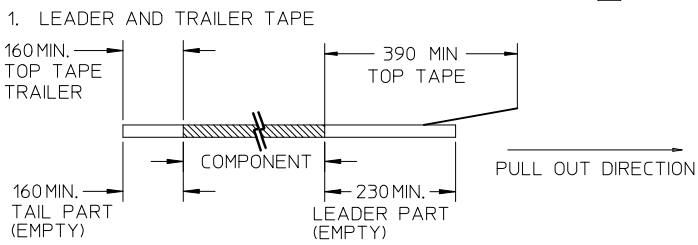
|   |   |                                       |             |   |            |                    |   |                        |  |  |
|---|---|---------------------------------------|-------------|---|------------|--------------------|---|------------------------|--|--|
| ADD P/N: 87920-9120<br>EC NO: S2011-0043<br>DRWN:SKANG 2010/07/14<br>CHKD:ATSEE 2010/08/02<br>APPR:MLONG 2010/08/03 | QUALITY SYMBOLS<br>$\nabla_A = 0$<br>$\nabla_C = 0$<br>$\nabla_P = 0$ | GENERAL TOLERANCES (UNLESS SPECIFIED) |             | DIMENSION STYLE<br><b>MM ONLY</b>   |            | SCALE<br>NTS       | DESIGN UNITS<br>METRIC  | THIRD ANGLE PROJECTION |  |  |
|   |   |                                       | mm          | INCH  | DRAWN BY   | DATE               | TITLE   |                        |  |  |
|   |   | 4 PLACES                              | ± ---       | ± ---   | SKLIM01    | 2006/02/09         | CUSTOM HEADER<br>2.54MM PITCH DUAL ROW<br>HEADER SINGLE WAFER SMT |                        |  |  |
|   |   | 3 PLACES                              | ± ---       | ± ---   | CHECKED BY | DATE               |   |                        |  |  |
| 2 PLACES  | ± 0.2   | ± ---                                 | APPROVED BY |   | DATE       | MOLEX INCORPORATED |   |                        |  |  |
| 1 PLACE   | ± ---   | ± ---                                 | MLONG       |   | 2010/02/08 |                    |   |                        |  |  |
| DRAFT WHERE APPLICABLE<br>MUST REMAIN WITHIN DIMENSIONS   |   | SEE TABLE                             |             | MATERIAL NO.  |            | DOCUMENT NO.       |   | SHEET NO.              |  |  |
|   |   | SIZE<br>A3                            |             | THIS DRAWING CONTAINS INFORMATION THAT IS PROPRIETARY TO MOLEX INCORPORATED AND SHOULD NOT BE USED WITHOUT WRITTEN PERMISSION |            |                    |   |                        |  |  |

|     |       |       |       |
|-----|-------|-------|-------|
| CKT | F     | P1    | W     |
| 06  | 11.50 | 12.00 | 24.00 |

THIS TYPE OF CARRIER TAPE IS FOR CKT SIZE 06 ONLY



NOTES:

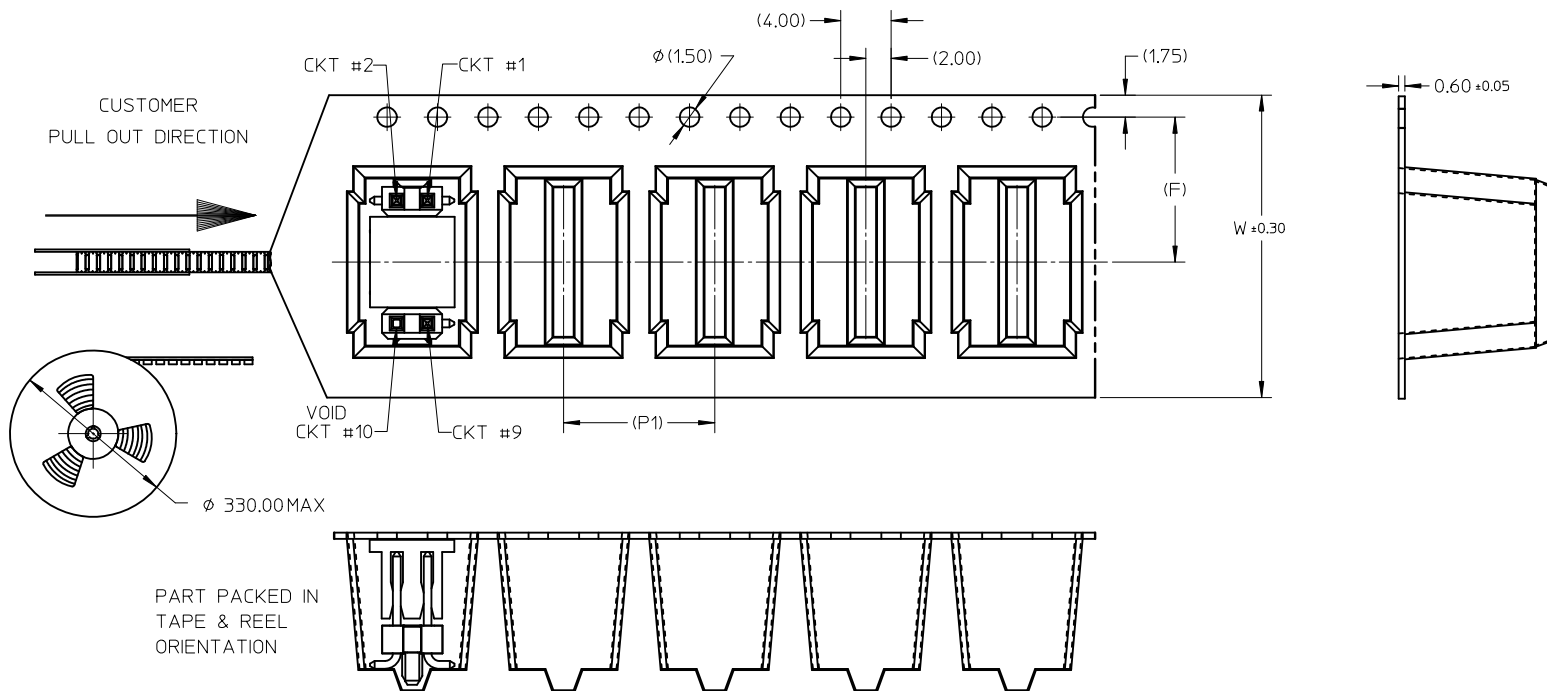


- 3. PACKAGING STANDARD IS AS PER EIA-481.
- 4. TAPE & REEL QUANTITY = 440PCS/REEL
- 5. THE TAPE IS TREATED FOR ANTI-STATIC.

|   |   |                                       |             |   |                         |              |                        |  |
|---|---|---------------------------------------|-------------|---|-------------------------|--------------|------------------------|--|
| ADD P/N: 87920-9120<br>EC NO: S2011-0043<br>DRWN:SKANG 2010/07/14<br>CHKD:ATSEE 2010/08/02<br>APPR:MLONG 2010/08/03 | QUALITY SYMBOLS<br>$\nabla_A = 0$<br>$\nabla_C = 0$<br>$\nabla_P = 0$ | GENERAL TOLERANCES (UNLESS SPECIFIED) |             | DIMENSION STYLE   | SCALE                   | DESIGN UNITS | THIRD ANGLE PROJECTION |  |
|   |   |                                       |             | MM ONLY   | NTS                     | METRIC       |                        |  |
|   |   |                                       | mm          | INCH  | DRAWN BY                | DATE         | TITLE                  |  |
|   |   | 4 PLACES                              | ± ---       | ± ---   | SKLIM01                 | 2006/02/09   | CUSTOM HEADER          |  |
| 3 PLACES  | ± ---   | ± ---                                 | CHECKED BY  | DATE  | 2.54MM PITCH DUAL ROW   |              |                        |  |
| 2 PLACES  | ± 0.2   | ± ---                                 | PATEY       | 2006/02/16  | HEADER SINGLE WAFER SMT |              |                        |  |
| 1 PLACE   | ± ---   | ± ---                                 | APPROVED BY | DATE  | MOLEX INCORPORATED      |              |                        |  |
| ANGULAR ± 3 °   |   |                                       | MLONG       | 2010/02/08  | MOLEX INCORPORATED      |              |                        |  |
| DRAFT WHERE APPLICABLE MUST REMAIN WITHIN DIMENSIONS  |   | MATERIAL NO.                          |             | DOCUMENT NO.  |                         | SHEET NO.    |                        |  |
|   |   | SEE TABLE                             |             | SD-87920-020  |                         | 4 OF 11      |                        |  |
|   |   | SIZE A3                               |             | THIS DRAWING CONTAINS INFORMATION THAT IS PROPRIETARY TO MOLEX INCORPORATED AND SHOULD NOT BE USED WITHOUT WRITTEN PERMISSION |                         |              |                        |  |

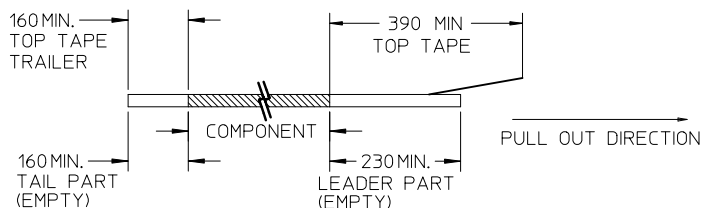
|     |       |       |       |
|-----|-------|-------|-------|
| CKT | F     | P1    | W     |
| 08  | 11.50 | 12.00 | 24.00 |
| 10  | 11.50 | 12.00 | 24.00 |

THIS TYPE OF CARRIER TAPE IS FOR CKT SIZE 08 AND 10 ONLY

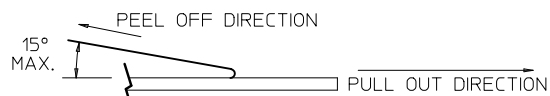


NOTES:

1. LEADER AND TRAILER TAPE



2. PEELING OFF FORCE OF THE TOP TAPE: 20-80gf.  
(PEELING DIRECTION AS SHOWN IN FOLLOWING FIGURE)

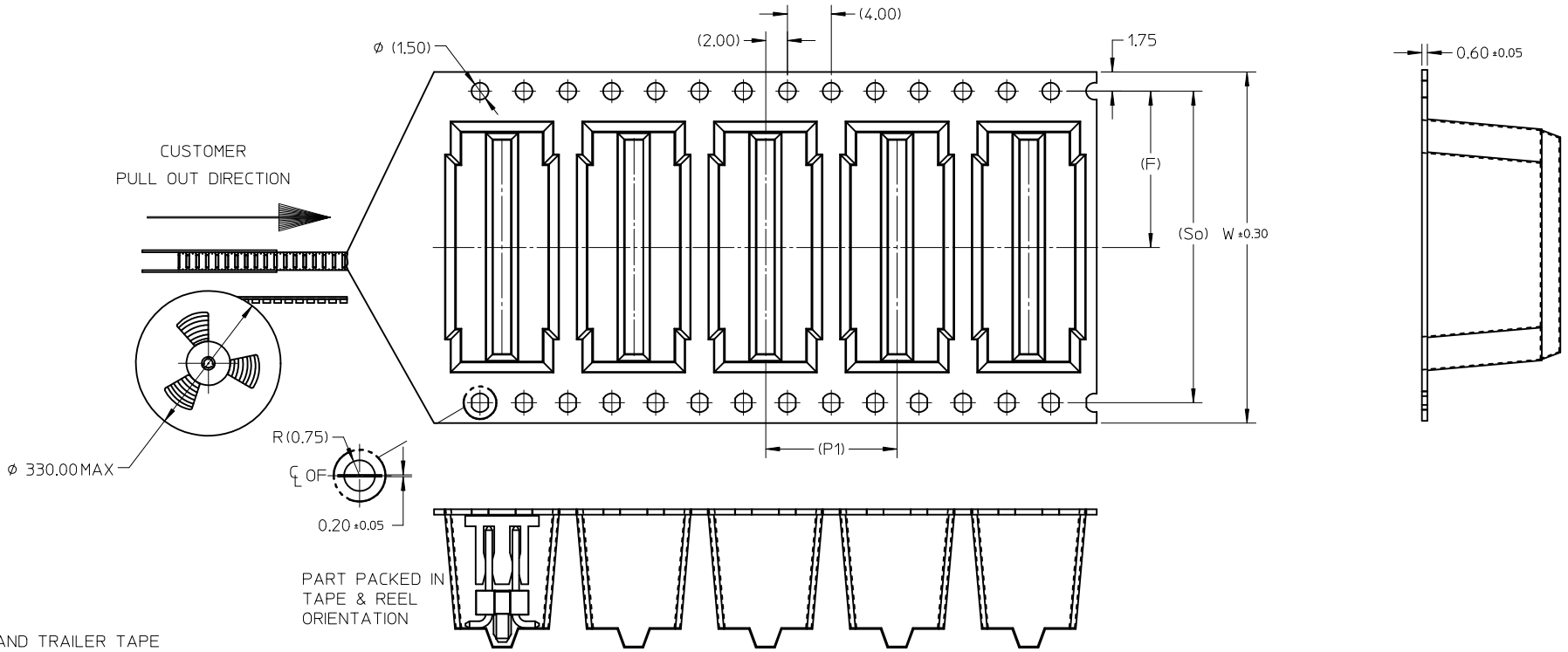


- 3. PACKAGING STANDARD IS AS PER EIA-481.
- 4. TAPE & REEL QUANTITY = 440PCS/REEL
- 5. THE TAPE IS TREATED FOR ANTI-STATIC.
- 6. ATTACHED ABOVE CONNECTOR IN T&R WITH VOID CKT#10 IS FOR ILLUSTRATION ONLY.

|   |   |  |       |                            |                      |                              |  |                        |  |  |
|---|---|--|-------|----------------------------|----------------------|------------------------------|--|------------------------|--|--|
| ADD P/N: 87920-9120<br>EC NO: S2011-0043<br>DRWN:SKANG 2010/07/14<br>CHKD:ATSEE 2010/08/02<br>APPR:MLONG 2010/08/03           | QUALITY SYMBOLS<br>$\nabla_A = 0$<br>$\nabla_C = 0$<br>$\nabla_P = 0$ | GENERAL TOLERANCES (UNLESS SPECIFIED)                      |       | DIMENSION STYLE<br>MM ONLY |                      | SCALE<br>NTS                 | DESIGN UNITS<br>METRIC   | THIRD ANGLE PROJECTION |  |  |
|   |   |  | mm    | INCH                       | DRAWN BY<br>SKLIM01  | DATE<br>2006/02/09           | TITLE<br>CUSTOM HEADER<br>2.54MM PITCH DUAL ROW<br>HEADER SINGLE WAFER SMT |                        |  |  |
|   |   | 4 PLACES   | ± --- | ± ---                      | CHECKED BY<br>PATEY  | DATE<br>2006/02/16           | MOLEX INCORPORATED   |                        |  |  |
|   |   | 3 PLACES   | ± --- | ± ---                      | APPROVED BY<br>MLONG | DATE<br>2010/02/08           |  |                        |  |  |
| ANGULAR ± 3 °   |   | DRAFT WHERE APPLICABLE<br>MUST REMAIN<br>WITHIN DIMENSIONS |       | MATERIAL NO.<br>SEE TABLE  |                      | DOCUMENT NO.<br>SD-87920-020 |  | SHEET NO.<br>5 OF 11   |  |  |
| THIS DRAWING CONTAINS INFORMATION THAT IS PROPRIETARY TO MOLEX INCORPORATED AND SHOULD NOT BE USED WITHOUT WRITTEN PERMISSION |   |  |       |                            |                      |                              |  |                        |  |  |

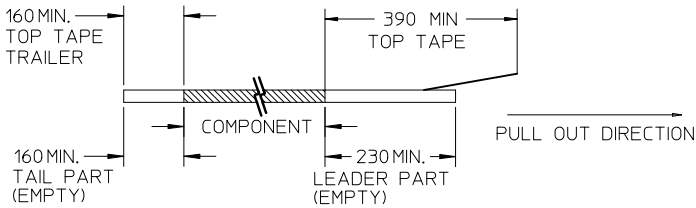
| CKT | F     | P1    | So    | W     |
|-----|-------|-------|-------|-------|
| 12  | 14.20 | 12.00 | 28.40 | 32.00 |
| 14  | 14.20 | 12.00 | 28.40 | 32.00 |
| 16  | 14.20 | 12.00 | 28.40 | 32.00 |
| 20  | 20.20 | 12.00 | 40.40 | 44.00 |

THIS TYPE OF CARRIER TAPE IS FOR CKT SIZE 12, 14, 16 AND 20

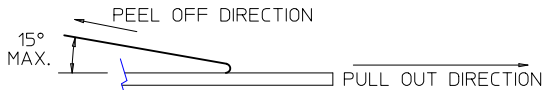


NOTES:

1. LEADER AND TRAILER TAPE



2. PEELING OFF FORCE OF THE TOP TAPE: 20-80gf.  
(PEELING DIRECTION AS SHOWN IN FOLLOWING FIGURE)



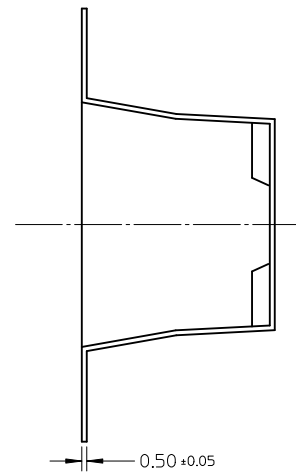
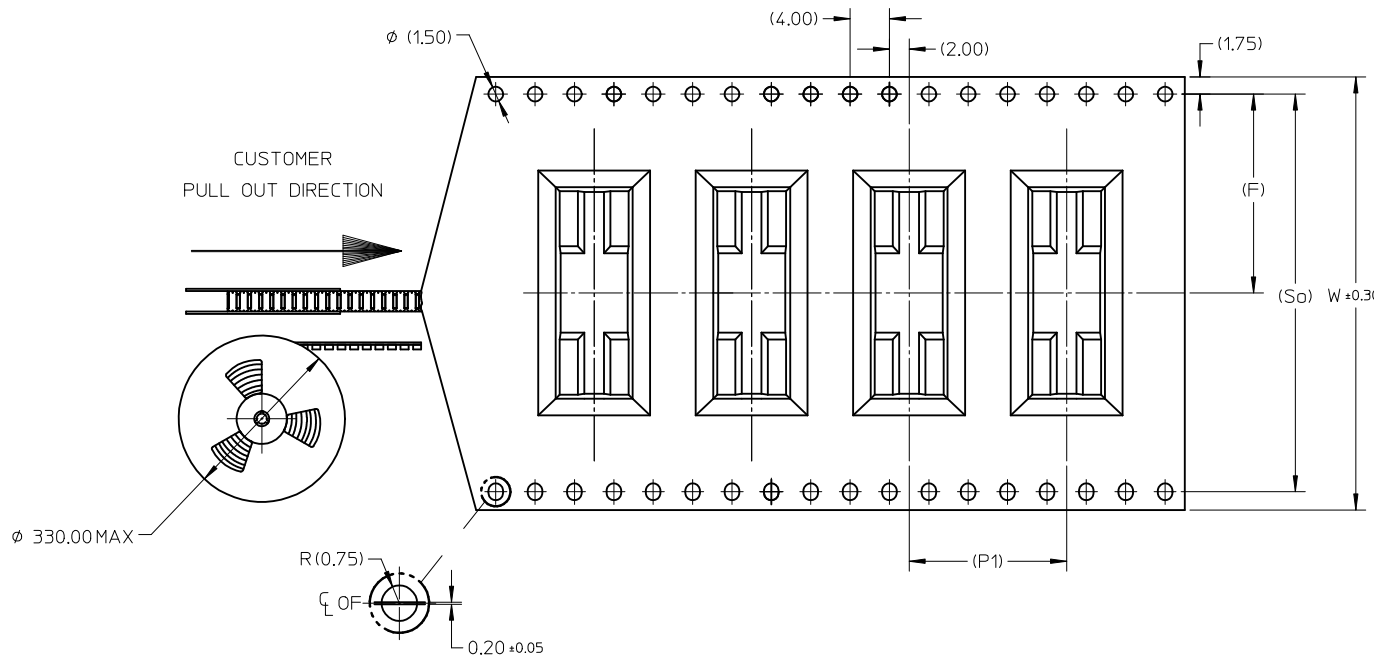
- 3. PACKAGING STANDARD IS AS PER EIA-481.
- 4. TAPE & REEL QUANTITY = 440PCS/REEL
- 5. THE TAPE IS TREATED FOR ANTI-STATIC.

PART PACKED IN TAPE & REEL ORIENTATION

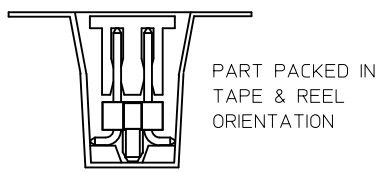
|  |                     |                                       |                      |   |                      |                    |  |                        |  |
|--|---------------------|---------------------------------------|----------------------|---|----------------------|--------------------|--|------------------------|--|
| ADD P/N: 87920-9120<br>EC NO: S2011-0043<br>DRWNSKANG 2010/07/14<br>CHKD:ATSEE 2010/08/02<br>APPR:MLONG 2010/08/03 | QUALITY SYMBOLS<br> | GENERAL TOLERANCES (UNLESS SPECIFIED) |                      | DIMENSION STYLE<br>MM ONLY  |                      | SCALE<br>NTS       | DESIGN UNITS<br>METRIC   | THIRD ANGLE PROJECTION |  |
|  |                     |                                       | mm                   | INCH  | DRAWN BY<br>SKLIM01  | DATE<br>2006/02/09 | TITLE<br>CUSTOM HEADER<br>2.54MM PITCH DUAL ROW<br>HEADER SINGLE WAFER SMT |                        |  |
|  |                     | 4 PLACES ± --- ± ---                  | 3 PLACES ± --- ± --- | 2 PLACES ± 0.2 ± ---  | CHECKED BY<br>PATEY  | DATE<br>2006/02/16 | MOLEX INCORPORATED   |                        |  |
|  |                     | 1 PLACE ± --- ± ---                   | ANGULAR ± 3°         |   | APPROVED BY<br>MLONG | DATE<br>2010/02/08 |  |                        |  |
| DRAFT WHERE APPLICABLE MUST REMAIN WITHIN DIMENSIONS   |                     | SIZE<br>A3                            |                      | THIS DRAWING CONTAINS INFORMATION THAT IS PROPRIETARY TO MOLEX INCORPORATED AND SHOULD NOT BE USED WITHOUT WRITTEN PERMISSION |                      |                    |  |                        |  |

|     |       |       |       |       |
|-----|-------|-------|-------|-------|
| CKT | F     | P1    | So    | W     |
| 40  | 34.20 | 16.00 | 68.50 | 72.00 |

THIS TYPE OF CARRIER TAPE IS FOR CKT SIZE 40



- NOTES:
- LEADER AND TRAILER TAPE
  - PEELING OFF FORCE OF THE TOP TAPE: 20-80gf.  
 (PEELING DIRECTION AS SHOWN IN FOLLOWING FIGURE)
  - PACKAGING STANDARD IS AS PER EIA-481.
  - TAPE & REEL QUANTITY = 250PCS/REEL
  - THE TAPE IS TREATED FOR ANTI-STATIC.



|   |  |   |            |                            |            |                       |                        |                        |  |  |
|---|--|---|------------|----------------------------|------------|-----------------------|------------------------|------------------------|--|--|
| ADD P/N: 87920-9120<br>EC NO: S2011-0043<br>DRWN:SKANG 2010/07/14<br>CHKD:ATSEE 2010/08/02<br>APPR:MLONG 2010/08/03 | QUALITY SYMBOLS<br>$F_A=0$<br>$F_C=0$<br>$F_P=0$ | GENERAL TOLERANCES (UNLESS SPECIFIED)   |            | DIMENSION STYLE<br>MM ONLY |            | SCALE<br>NTS          | DESIGN UNITS<br>METRIC | THIRD ANGLE PROJECTION |  |  |
|   |  | mm  | INCH       | DRAWN BY                   | DATE       | TITLE                 |                        |                        |  |  |
|   |  | 4 PLACES ± ---  | ± ---      | SKL IM01                   | 2006/02/09 | CUSTOM HEADER         |                        |                        |  |  |
|   |  | 3 PLACES ± ---  | ± ---      | CHECKED BY                 | DATE       | 2.54MM PITCH DUAL ROW |                        |                        |  |  |
| 2 PLACES ± 0.2  | ± ---  | PATEY   | 2006/02/16 | HEADER SINGLE WAFER SMT    |            |                       |                        |                        |  |  |
| 1 PLACE ± ---   | ± ---  | APPROVED BY   | DATE       | MOLEX INCORPORATED         |            |                       |                        |                        |  |  |
| ANGULAR ± 3 °   |  | MLONG   | 2010/02/08 | MATERIAL NO.               |            | DOCUMENT NO.          |                        |                        |  |  |
| DRAFT WHERE APPLICABLE MUST REMAIN WITHIN DIMENSIONS  |  | SEE TABLE   |            | SD-87920-020               |            | SHEET NO.             |                        |                        |  |  |
| SIZE A3   |  | THIS DRAWING CONTAINS INFORMATION THAT IS PROPRIETARY TO MOLEX INCORPORATED AND SHOULD NOT BE USED WITHOUT WRITTEN PERMISSION |            |                            |            |                       |                        |                        |  |  |

| PART NUMBER IN PACKAGING OPTION |                        |               | CKT SIZE | PEG | PLATE OPT. | VOID CKT | DIMENSION |       |       |      |       |      |
|---------------------------------|------------------------|---------------|----------|-----|------------|----------|-----------|-------|-------|------|-------|------|
| TAPE & REEL WITH CAP            | TUBE WITHOUT CAP       | TUBE WITH CAP |          |     |            |          | A         | B     | C     | F    | G     | M    |
| 87920-9111                      | $\triangle$ 87920-9044 | -----         | 4        | N   | 1          | --       | 5.08      | 2.54  | ----- | 9.66 | 10.66 | 6.10 |
| 87920-9211                      | $\triangle$ 87920-9045 | -----         | 4        | N   | 2          | --       | 5.08      | 2.54  | ----- | 9.66 | 10.66 | 6.10 |
| 87920-9311                      | $\triangle$ 87920-9046 | -----         | 4        | N   | 3          | --       | 5.08      | 2.54  | ----- | 9.66 | 10.66 | 6.10 |
| 87920-9112                      | $\triangle$ 87920-9064 | -----         | 6        | N   | 1          | --       | 7.62      | 5.08  | ----- | 9.66 | 10.66 | 6.10 |
| 87920-9212                      | $\triangle$ 87920-9065 | -----         | 6        | N   | 2          | --       | 7.62      | 5.08  | ----- | 9.66 | 10.66 | 6.10 |
| 87920-9312                      | $\triangle$ 87920-9066 | -----         | 6        | N   | 3          | --       | 7.62      | 5.08  | ----- | 9.66 | 10.66 | 6.10 |
| 87920-9113                      | 87920-9084             | 87920-9087    | 8        | N   | 1          | --       | 10.16     | 7.62  | ----- | 9.66 | 10.66 | 6.10 |
| 87920-9213                      | 87920-9085             | 87920-9088    | 8        | N   | 2          | --       | 10.16     | 7.62  | ----- | 9.66 | 10.66 | 6.10 |
| 87920-9313                      | 87920-9086             | 87920-9089    | 8        | N   | 3          | --       | 10.16     | 7.62  | ----- | 9.66 | 10.66 | 6.10 |
| 87920-9114                      | 87920-9104             | 87920-9107    | 10       | N   | 1          | --       | 12.70     | 10.16 | ----- | 9.66 | 10.66 | 6.10 |
| 87920-9214                      | 87920-9105             | 87920-9108    | 10       | N   | 2          | --       | 12.70     | 10.16 | ----- | 9.66 | 10.66 | 6.10 |
| 87920-9314                      | 87920-9106             | 87920-9109    | 10       | N   | 3          | --       | 12.70     | 10.16 | ----- | 9.66 | 10.66 | 6.10 |
| 87920-1007                      | -----                  | -----         | 10       | N   | 1          | 10       | 12.70     | 10.16 | ----- | 9.66 | 10.66 | 6.10 |

| PART NUMBER IN PACKAGING OPTION |                        |               | CKT SIZE | PEG | PLATE OPT. | DIMENSION |       |       |       |      |       |      |
|---------------------------------|------------------------|---------------|----------|-----|------------|-----------|-------|-------|-------|------|-------|------|
| TAPE & REEL WITH CAP            | TUBE WITHOUT CAP       | TUBE WITH CAP |          |     |            | A         | B     | C     | F     | G    | M     |      |
| -----                           | -----                  | -----         | ---      | --- | ---        | ---       | ---   | ---   | ---   | ---  | ---   | ---  |
| -----                           | -----                  | -----         | ---      | --- | ---        | ---       | ---   | ---   | ---   | ---  | ---   | ---  |
| -----                           | $\triangle$ 87920-9047 | -----         | 4        | Y   | 3          |           | 5.08  | 2.54  | ----- | 9.66 | 10.66 | 6.10 |
| 87920-8113                      | 87920-8084             | 87920-8087    | 8        | Y   | 1          |           | 10.16 | 7.62  | 5.08  | 9.66 | 10.66 | 6.10 |
| 87920-8213                      | 87920-8085             | 87920-8088    | 8        | Y   | 2          |           | 10.16 | 7.62  | 5.08  | 9.66 | 10.66 | 6.10 |
| 87920-8313                      | 87920-8086             | 87920-8089    | 8        | Y   | 3          |           | 10.16 | 7.62  | 5.08  | 9.66 | 10.66 | 6.10 |
| 87920-8114                      | 87920-8104             | 87920-8107    | 10       | Y   | 1          |           | 12.70 | 10.16 | 7.62  | 9.66 | 10.66 | 6.10 |
| 87920-8214                      | 87920-8105             | 87920-8108    | 10       | Y   | 2          |           | 12.70 | 10.16 | 7.62  | 9.66 | 10.66 | 6.10 |
| 87920-8314                      | 87920-8106             | 87920-8109    | 10       | Y   | 3          |           | 12.70 | 10.16 | 7.62  | 9.66 | 10.66 | 6.10 |

$\triangle$  PART TO BE PACKED IN BULK/TRAY PACKAGING.

|  |                              |  |                     |   |                       |                        |  |
|--|------------------------------|--|---------------------|---|-----------------------|------------------------|--|
| ADD P/N: 87920-9120<br>EC NO: S2011-0043<br>DRWN:SKANG<br>CHKD:ATSEE<br>APPR:MLONG<br>2010/07/14<br>2010/08/02<br>2010/08/03 | QUALITY SYMBOLS              | GENERAL TOLERANCES (UNLESS SPECIFIED)                | DIMENSION STYLE     | SCALE   | DESIGN UNITS          | THIRD ANGLE PROJECTION |  |
|  | $\nabla_A=0$                 | mm INCH  | MM ONLY             | NTS   | METRIC                |                        |  |
|  | $\nabla_C=0$                 | 4 PLACES $\pm$ --- $\pm$ ---                         | DRAWN BY DATE       | TITLE   | CUSTOM HEADER         |                        |  |
|  | $\nabla_P=0$                 | 3 PLACES $\pm$ --- $\pm$ ---                         | SKL IM01 2006/02/09 | 2006/02/16  | 2.54MM PITCH DUAL ROW |                        |  |
|  | 2 PLACES $\pm$ 0.2 $\pm$ --- | CHECKED BY DATE                                      |                     | HEADER SINGLE WAFER SMT   |                       |                        |  |
|  | 1 PLACE $\pm$ --- $\pm$ ---  | APPROVED BY DATE                                     |                     | MOLEX INCORPORATED  |                       |                        |  |
|  | ANGULAR $\pm$ 3 °            | MLONG 2010/02/08                                     |                     | MOLEX INCORPORATED  |                       |                        |  |
|  |                              | MATERIAL NO.   | SEE TABLE           | DOCUMENT NO.  |                       | SHEET NO.              |  |
|  |                              |  |                     | SD-87920-020  |                       | 8 OF 11                |  |
|  |                              | DRAFT WHERE APPLICABLE MUST REMAIN WITHIN DIMENSIONS | SIZE A3             | THIS DRAWING CONTAINS INFORMATION THAT IS PROPRIETARY TO MOLEX INCORPORATED AND SHOULD NOT BE USED WITHOUT WRITTEN PERMISSION |                       |                        |  |



| PART NUMBER IN PACKAGING OPTION |                      |                  |               | CKT SIZE | PEG | PLATE OPT. | DIMENSION |       |       |      |       |      | PART NUMBER IN PACKAGING OPTION |                  |               |    | CKT SIZE | PEG | PLATE OPT. | DIMENSION |       |      |       |      |  |
|---------------------------------|----------------------|------------------|---------------|----------|-----|------------|-----------|-------|-------|------|-------|------|---------------------------------|------------------|---------------|----|----------|-----|------------|-----------|-------|------|-------|------|--|
| TAPE & REEL W/O CAP             | TAPE & REEL WITH CAP | TUBE WITHOUT CAP | TUBE WITH CAP |          |     |            | A         | B     | C     | F    | G     | M    | TAPE & REEL WITH CAP            | TUBE WITHOUT CAP | TUBE WITH CAP | A  |          |     |            | B         | C     | F    | G     | M    |  |
| 87920-9120                      | 87920-9119           | 87920-9124       | 87920-9127    | 12       | N   | 1          | 15.24     | 12.70 | ----- | 9.66 | 10.66 | 6.10 | -----                           | 87920-8124       | 87920-8127    | 12 | Y        | 1   | 15.24      | 12.70     | 10.16 | 9.66 | 10.66 | 6.10 |  |
| -----                           | -----                | 87920-9125       | 87920-9128    | 12       | N   | 2          | 15.24     | 12.70 | ----- | 9.66 | 10.66 | 6.10 | -----                           | 87920-8125       | 87920-8128    | 12 | Y        | 2   | 15.24      | 12.70     | 10.16 | 9.66 | 10.66 | 6.10 |  |
| -----                           | -----                | 87920-9126       | 87920-9129    | 12       | N   | 3          | 15.24     | 12.70 | ----- | 9.66 | 10.66 | 6.10 | -----                           | 87920-8126       | 87920-8129    | 12 | Y        | 3   | 15.24      | 12.70     | 10.16 | 9.66 | 10.66 | 6.10 |  |
| -----                           | 87920-9115           | 87920-9144       | 87920-9147    | 14       | N   | 1          | 17.78     | 15.24 | ----- | 9.66 | 10.66 | 6.10 | 87920-8115                      | 87920-8144       | 87920-8147    | 14 | Y        | 1   | 17.78      | 15.24     | 12.70 | 9.66 | 10.66 | 6.10 |  |
| -----                           | 87920-9215           | 87920-9145       | 87920-9148    | 14       | N   | 2          | 17.78     | 15.24 | ----- | 9.66 | 10.66 | 6.10 | 87920-8215                      | 87920-8145       | 87920-8148    | 14 | Y        | 2   | 17.78      | 15.24     | 12.70 | 9.66 | 10.66 | 6.10 |  |
| -----                           | 87920-9315           | 87920-9146       | 87920-0014    | 14       | N   | 3          | 17.78     | 15.24 | ----- | 9.66 | 10.66 | 6.10 | 87920-8315                      | 87920-8146       | 87920-8149    | 14 | Y        | 3   | 17.78      | 15.24     | 12.70 | 9.66 | 10.66 | 6.10 |  |
| -----                           | 87920-9116           | 87920-9164       | 87920-9167    | 16       | N   | 1          | 20.32     | 17.78 | ----- | 9.66 | 10.66 | 6.10 | 87920-8116                      | 87920-8164       | 87920-8167    | 16 | Y        | 1   | 20.32      | 17.78     | 15.24 | 9.66 | 10.66 | 6.10 |  |
| -----                           | 87920-9216           | 87920-9165       | 87920-9168    | 16       | N   | 2          | 20.32     | 17.78 | ----- | 9.66 | 10.66 | 6.10 | 87920-8216                      | 87920-8165       | 87920-8168    | 16 | Y        | 2   | 20.32      | 17.78     | 15.24 | 9.66 | 10.66 | 6.10 |  |
| -----                           | 87920-9316           | 87920-9166       | 87920-9169    | 16       | N   | 3          | 20.32     | 17.78 | ----- | 9.66 | 10.66 | 6.10 | 87920-8316                      | 87920-8166       | 87920-8169    | 16 | Y        | 3   | 20.32      | 17.78     | 15.24 | 9.66 | 10.66 | 6.10 |  |
| -----                           | -----                | 87920-9184       | 87920-9187    | 18       | N   | 1          | 22.86     | 20.32 | ----- | 9.66 | 10.66 | 6.10 | -----                           | 87920-8184       | 87920-8187    | 18 | Y        | 1   | 22.86      | 20.32     | 17.78 | 9.66 | 10.66 | 6.10 |  |
| -----                           | -----                | 87920-9185       | 87920-9188    | 18       | N   | 2          | 22.86     | 20.32 | ----- | 9.66 | 10.66 | 6.10 | -----                           | 87920-8185       | 87920-8188    | 18 | Y        | 2   | 22.86      | 20.32     | 17.78 | 9.66 | 10.66 | 6.10 |  |
| -----                           | -----                | 87920-9186       | 87920-9189    | 18       | N   | 3          | 22.86     | 20.32 | ----- | 9.66 | 10.66 | 6.10 | -----                           | 87920-8186       | 87920-8189    | 18 | Y        | 3   | 22.86      | 20.32     | 17.78 | 9.66 | 10.66 | 6.10 |  |
| -----                           | 87920-9117           | 87920-9204       | 87920-9207    | 20       | N   | 1          | 25.40     | 22.86 | ----- | 9.66 | 10.66 | 6.10 | 87920-8117                      | 87920-8204       | 87920-8207    | 20 | Y        | 1   | 25.40      | 22.86     | 20.32 | 9.66 | 10.66 | 6.10 |  |
| -----                           | 87920-9217           | 87920-9205       | 87920-9208    | 20       | N   | 2          | 25.40     | 22.86 | ----- | 9.66 | 10.66 | 6.10 | 87920-8217                      | 87920-8205       | 87920-8208    | 20 | Y        | 2   | 25.40      | 22.86     | 20.32 | 9.66 | 10.66 | 6.10 |  |
| -----                           | 87920-9317           | 87920-9206       | 87920-9209    | 20       | N   | 3          | 25.40     | 22.86 | ----- | 9.66 | 10.66 | 6.10 | 87920-8317                      | 87920-8206       | 87920-8209    | 20 | Y        | 3   | 25.40      | 22.86     | 20.32 | 9.66 | 10.66 | 6.10 |  |

|  |  |  |  |  |  |  |  |  |  |  |  |  |  |  |  |  |  |  |  |  |  |  |  |
|--|--|--|--|--|--|--|--|--|--|--|--|--|--|--|--|--|--|--|--|--|--|--|--|
|  |  |  |  |  |  |  |  |  |  |  |  |  |  |  |  |  |  |  |  |  |  |  |  |
|--|--|--|--|--|--|--|--|--|--|--|--|--|--|--|--|--|--|--|--|--|--|--|--|

|   |  |                                       |   |                            |                           |                    |                              |                        |                      |                    |  |  |  |
|---|--|---------------------------------------|---|----------------------------|---------------------------|--------------------|------------------------------|------------------------|----------------------|--------------------|--|--|--|
| ADD P/N: 87920-9120<br>EC NO: S2011-0043<br>DRWN:SKANG 2010/07/14<br>CHKD:ATSEE 2010/08/02<br>APPR:MLONG 2010/08/03 | QUALITY SYMBOLS<br>$F_A=0$<br>$F_G=0$<br>$F_P=0$ | GENERAL TOLERANCES (UNLESS SPECIFIED) |   | DIMENSION STYLE<br>MM ONLY |                           | SCALE<br>NTS       | DESIGN UNITS<br>METRIC       | THIRD ANGLE PROJECTION |                      |                    |  |  |  |
|   |  | 4 PLACES                              | ± ---   | ± ---                      | DRAWN BY<br>SKLIM01       | DATE<br>2006/02/09 | TITLE<br>CUSTOM HEADER       |                        |                      |                    |  |  |  |
|   |  | 3 PLACES                              | ± ---   | ± ---                      | CHECKED BY<br>PATEY       | DATE<br>2006/02/16 | 2.54MM PITCH DUAL ROW        |                        |                      |                    |  |  |  |
|   |  | 2 PLACES                              | ± 0.2   | ± ---                      | APPROVED BY<br>MLONG      | DATE<br>2010/02/08 | HEADER SINGLE WAFER SMT      |                        |                      |                    |  |  |  |
| 1 PLACE   | ± ---  | ± ---                                 | ANGULAR ± 3 °   |                            | MATERIAL NO.<br>SEE TABLE |                    | DOCUMENT NO.<br>SD-87920-020 |                        | SHEET NO.<br>9 OF 11 |                    |  |  |  |
| DRAFT WHERE APPLICABLE MUST REMAIN WITHIN DIMENSIONS  |  |                                       | THIS DRAWING CONTAINS INFORMATION THAT IS PROPRIETARY TO MOLEX INCORPORATED AND SHOULD NOT BE USED WITHOUT WRITTEN PERMISSION |                            |                           |                    |                              |                        |                      | MOLEX INCORPORATED |  |  |  |

| PART NUMBER IN PACKAGING OPTION |                  |               | CKT SIZE | PEG | PLATE OPT. | DIMENSION |       |       |      |       |      |
|---------------------------------|------------------|---------------|----------|-----|------------|-----------|-------|-------|------|-------|------|
| TAPE & REEL WITH CAP            | TUBE WITHOUT CAP | TUBE WITH CAP |          |     |            | A         | B     | C     | F    | G     | M    |
| -----                           | 87920-9224       | 87920-9227    | 22       | N   | 1          | 27.94     | 25.40 | ----- | 9.66 | 10.66 | 6.10 |
| -----                           | 87920-9225       | 87920-9228    | 22       | N   | 2          | 27.94     | 25.40 | ----- | 9.66 | 10.66 | 6.10 |
| -----                           | 87920-9226       | 87920-9229    | 22       | N   | 3          | 27.94     | 25.40 | ----- | 9.66 | 10.66 | 6.10 |
| -----                           | 87920-9244       | 87920-9247    | 24       | N   | 1          | 30.48     | 27.94 | ----- | 9.66 | 10.66 | 6.10 |
| -----                           | 87920-9245       | 87920-9248    | 24       | N   | 2          | 30.48     | 27.94 | ----- | 9.66 | 10.66 | 6.10 |
| -----                           | 87920-9246       | 87920-9249    | 24       | N   | 3          | 30.48     | 27.94 | ----- | 9.66 | 10.66 | 6.10 |
| -----                           | 87920-9264       | 87920-9267    | 26       | N   | 1          | 33.02     | 30.48 | ----- | 9.66 | 10.66 | 6.10 |
| -----                           | 87920-9265       | 87920-9268    | 26       | N   | 2          | 33.02     | 30.48 | ----- | 9.66 | 10.66 | 6.10 |
| -----                           | 87920-9266       | 87920-9269    | 26       | N   | 3          | 33.02     | 30.48 | ----- | 9.66 | 10.66 | 6.10 |
| -----                           | 87920-9284       | 87920-9287    | 28       | N   | 1          | 35.56     | 33.02 | ----- | 9.66 | 10.66 | 6.10 |
| -----                           | 87920-9285       | 87920-9288    | 28       | N   | 2          | 35.56     | 33.02 | ----- | 9.66 | 10.66 | 6.10 |
| -----                           | 87920-9286       | 87920-9289    | 28       | N   | 3          | 35.56     | 33.02 | ----- | 9.66 | 10.66 | 6.10 |
| -----                           | 87920-9304       | 87920-9307    | 30       | N   | 1          | 38.10     | 35.56 | ----- | 9.66 | 10.66 | 6.10 |
| -----                           | 87920-9305       | 87920-9308    | 30       | N   | 2          | 38.10     | 35.56 | ----- | 9.66 | 10.66 | 6.10 |
| -----                           | 87920-9306       | 87920-9309    | 30       | N   | 3          | 38.10     | 35.56 | ----- | 9.66 | 10.66 | 6.10 |

| PART NUMBER IN PACKAGING OPTION |                  |               | CKT SIZE | PEG | PLATE OPT. | DIMENSION |       |       |      |       |      |
|---------------------------------|------------------|---------------|----------|-----|------------|-----------|-------|-------|------|-------|------|
| TAPE & REEL WITH CAP            | TUBE WITHOUT CAP | TUBE WITH CAP |          |     |            | A         | B     | C     | F    | G     | M    |
| -----                           | 87920-8224       | 87920-8227    | 22       | Y   | 1          | 27.94     | 25.40 | 22.86 | 9.66 | 10.66 | 6.10 |
| -----                           | 87920-8225       | 87920-8228    | 22       | Y   | 2          | 27.94     | 25.40 | 22.86 | 9.66 | 10.66 | 6.10 |
| -----                           | 87920-8226       | 87920-8229    | 22       | Y   | 3          | 27.94     | 25.40 | 22.86 | 9.66 | 10.66 | 6.10 |
| -----                           | 87920-8244       | 87920-8247    | 24       | Y   | 1          | 30.48     | 27.94 | 25.40 | 9.66 | 10.66 | 6.10 |
| -----                           | 87920-8245       | 87920-8248    | 24       | Y   | 2          | 30.48     | 27.94 | 25.40 | 9.66 | 10.66 | 6.10 |
| -----                           | 87920-8246       | 87920-8249    | 24       | Y   | 3          | 30.48     | 27.94 | 25.40 | 9.66 | 10.66 | 6.10 |
| -----                           | 87920-8264       | 87920-8267    | 26       | Y   | 1          | 33.02     | 30.48 | 27.94 | 9.66 | 10.66 | 6.10 |
| -----                           | 87920-8265       | 87920-8268    | 26       | Y   | 2          | 33.02     | 30.48 | 27.94 | 9.66 | 10.66 | 6.10 |
| -----                           | 87920-8266       | 87920-8269    | 26       | Y   | 3          | 33.02     | 30.48 | 27.94 | 9.66 | 10.66 | 6.10 |
| -----                           | 87920-8284       | 87920-8287    | 28       | Y   | 1          | 35.56     | 33.02 | 30.48 | 9.66 | 10.66 | 6.10 |
| -----                           | 87920-8285       | 87920-8288    | 28       | Y   | 2          | 35.56     | 33.02 | 30.48 | 9.66 | 10.66 | 6.10 |
| -----                           | 87920-8286       | 87920-8289    | 28       | Y   | 3          | 35.56     | 33.02 | 30.48 | 9.66 | 10.66 | 6.10 |
| -----                           | 87920-8304       | 87920-8307    | 30       | Y   | 1          | 38.10     | 35.56 | 33.02 | 9.66 | 10.66 | 6.10 |
| -----                           | 87920-8305       | 87920-8308    | 30       | Y   | 2          | 38.10     | 35.56 | 33.02 | 9.66 | 10.66 | 6.10 |
| -----                           | 87920-8306       | 87920-8309    | 30       | Y   | 3          | 38.10     | 35.56 | 33.02 | 9.66 | 10.66 | 6.10 |

|   |  |  |  |  |  |  |  |  |  |  |  |   |  |  |  |  |  |  |  |  |  |  |  |   |  |  |  |  |  |  |  |  |  |  |  |   |  |  |  |  |  |  |  |  |  |  |  |   |  |  |  |  |  |  |  |  |  |  |  |   |  |  |  |  |  |  |  |  |  |  |  |
|---|--|--|--|--|--|--|--|--|--|--|--|---|--|--|--|--|--|--|--|--|--|--|--|---|--|--|--|--|--|--|--|--|--|--|--|---|--|--|--|--|--|--|--|--|--|--|--|---|--|--|--|--|--|--|--|--|--|--|--|---|--|--|--|--|--|--|--|--|--|--|--|
| F |  |  |  |  |  |  |  |  |  |  |  | E |  |  |  |  |  |  |  |  |  |  |  | D |  |  |  |  |  |  |  |  |  |  |  | C |  |  |  |  |  |  |  |  |  |  |  | B |  |  |  |  |  |  |  |  |  |  |  | A |  |  |  |  |  |  |  |  |  |  |  |
|---|--|--|--|--|--|--|--|--|--|--|--|---|--|--|--|--|--|--|--|--|--|--|--|---|--|--|--|--|--|--|--|--|--|--|--|---|--|--|--|--|--|--|--|--|--|--|--|---|--|--|--|--|--|--|--|--|--|--|--|---|--|--|--|--|--|--|--|--|--|--|--|

|  |   |   |                      |                                   |   |                                     |                               |  |  |  |  |
|--|---|---|----------------------|-----------------------------------|---|-------------------------------------|-------------------------------|--|--|--|--|
| <b>ADD P/N: 87920-9120</b><br>EC NO: S2011-0043<br>DRWN:SKANG 2010/07/14<br>CHKD:ATSEE 2010/08/02<br>APPR:MLONG 2010/08/03 | QUALITY SYMBOLS<br>$\nabla_A = 0$<br>$\nabla_C = 0$<br>$\nabla_P = 0$ | GENERAL TOLERANCES (UNLESS SPECIFIED)   |                      | DIMENSION STYLE<br><b>MM ONLY</b> |   | SCALE<br><b>NTS</b>                 | DESIGN UNITS<br><b>METRIC</b> | THIRD ANGLE PROJECTION   |  |  |  |
|  |   | 4 PLACES $\pm$ --- $\pm$ ---<br>3 PLACES $\pm$ --- $\pm$ ---<br>2 PLACES $\pm 0.2$ $\pm$ ---<br>1 PLACE $\pm$ --- $\pm$ --- | DRAWN BY<br>SKLIM01  | DATE<br>2006/02/09                | TITLE<br><b>CUSTOM HEADER<br/>         2.54MM PITCH DUAL ROW<br/>         HEADER SINGLE WAFER SMT</b> |                                     |                               |  |  |  |  |
|  |   | ANGULAR $\pm 3^\circ$   | CHECKED BY<br>PATEY  | DATE<br>2006/02/16                | <b>molex</b> MOLEX INCORPORATED   |                                     |                               |  |  |  |  |
|  |   | DRAFT WHERE APPLICABLE<br>MUST REMAIN<br>WITHIN DIMENSIONS  | APPROVED BY<br>MLONG | DATE<br>2010/02/08                | MATERIAL NO.<br><b>SEE TABLE</b>  | DOCUMENT NO.<br><b>SD-87920-020</b> | SHEET NO.<br><b>10 OF 11</b>  | THIS DRAWING CONTAINS INFORMATION THAT IS PROPRIETARY TO MOLEX<br>INCORPORATED AND SHOULD NOT BE USED WITHOUT WRITTEN PERMISSION |  |  |  |

| PART NUMBER IN PACKAGING OPTION |                  |               | CKT SIZE | PEG | PLATE OPT. | DIMENSION |       |       |      |       |      |
|---------------------------------|------------------|---------------|----------|-----|------------|-----------|-------|-------|------|-------|------|
| TAPE & REEL WITH CAP            | TUBE WITHOUT CAP | TUBE WITH CAP |          |     |            | A         | B     | C     | F    | G     | M    |
| -----                           | 87920-9324       | 87920-9327    | 32       | N   | 1          | 40.64     | 38.10 | ----- | 9.66 | 10.66 | 6.10 |
| -----                           | 87920-9325       | 87920-9328    | 32       | N   | 2          | 40.64     | 38.10 | ----- | 9.66 | 10.66 | 6.10 |
| -----                           | 87920-9326       | 87920-9329    | 32       | N   | 3          | 40.64     | 38.10 | ----- | 9.66 | 10.66 | 6.10 |
| -----                           | 87920-9344       | 87920-9347    | 34       | N   | 1          | 43.18     | 40.64 | ----- | 9.66 | 10.66 | 6.10 |
| -----                           | 87920-9345       | 87920-9348    | 34       | N   | 2          | 43.18     | 40.64 | ----- | 9.66 | 10.66 | 6.10 |
| -----                           | 87920-9346       | 87920-9349    | 34       | N   | 3          | 43.18     | 40.64 | ----- | 9.66 | 10.66 | 6.10 |
| -----                           | 87920-9364       | 87920-9367    | 36       | N   | 1          | 45.72     | 43.18 | ----- | 9.66 | 10.66 | 6.10 |
| -----                           | 87920-9365       | 87920-9368    | 36       | N   | 2          | 45.72     | 43.18 | ----- | 9.66 | 10.66 | 6.10 |
| -----                           | 87920-9366       | 87920-9369    | 36       | N   | 3          | 45.72     | 43.18 | ----- | 9.66 | 10.66 | 6.10 |
| -----                           | 87920-9384       | 87920-9387    | 38       | N   | 1          | 48.26     | 45.72 | ----- | 9.66 | 10.66 | 6.10 |
| -----                           | 87920-9385       | 87920-9388    | 38       | N   | 2          | 48.26     | 45.72 | ----- | 9.66 | 10.66 | 6.10 |
| -----                           | 87920-9386       | 87920-9389    | 38       | N   | 3          | 48.26     | 45.72 | ----- | 9.66 | 10.66 | 6.10 |
| 87920-9118                      | 87920-9404       | 87920-9407    | 40       | N   | 1          | 50.80     | 48.26 | ----- | 9.66 | 10.66 | 6.10 |
| 87920-9218                      | 87920-9405       | 87920-9408    | 40       | N   | 2          | 50.80     | 48.26 | ----- | 9.66 | 10.66 | 6.10 |
| 87920-9318                      | 87920-9406       | 87920-9409    | 40       | N   | 3          | 50.80     | 48.26 | ----- | 9.66 | 10.66 | 6.10 |

| PART NUMBER IN PACKAGING OPTION |                  |               | CKT SIZE | PEG | PLATE OPT. | DIMENSION |       |       |      |       |      |
|---------------------------------|------------------|---------------|----------|-----|------------|-----------|-------|-------|------|-------|------|
| TAPE & REEL WITH CAP            | TUBE WITHOUT CAP | TUBE WITH CAP |          |     |            | A         | B     | C     | F    | G     | M    |
| -----                           | 87920-8324       | 87920-8327    | 32       | Y   | 1          | 40.64     | 38.10 | 35.56 | 9.66 | 10.66 | 6.10 |
| -----                           | 87920-8325       | 87920-8328    | 32       | Y   | 2          | 40.64     | 38.10 | 35.56 | 9.66 | 10.66 | 6.10 |
| -----                           | 87920-8326       | 87920-8329    | 32       | Y   | 3          | 40.64     | 38.10 | 35.56 | 9.66 | 10.66 | 6.10 |
| -----                           | 87920-8344       | 87920-8347    | 34       | Y   | 1          | 43.18     | 40.64 | 38.10 | 9.66 | 10.66 | 6.10 |
| -----                           | 87920-8345       | 87920-8348    | 34       | Y   | 2          | 43.18     | 40.64 | 38.10 | 9.66 | 10.66 | 6.10 |
| -----                           | 87920-8346       | 87920-8349    | 34       | Y   | 3          | 43.18     | 40.64 | 38.10 | 9.66 | 10.66 | 6.10 |
| -----                           | 87920-8364       | 87920-8367    | 36       | Y   | 1          | 45.72     | 43.18 | 40.64 | 9.66 | 10.66 | 6.10 |
| -----                           | 87920-8365       | 87920-8368    | 36       | Y   | 2          | 45.72     | 43.18 | 40.64 | 9.66 | 10.66 | 6.10 |
| -----                           | 87920-8366       | 87920-8369    | 36       | Y   | 3          | 45.72     | 43.18 | 40.64 | 9.66 | 10.66 | 6.10 |
| -----                           | 87920-8384       | 87920-8387    | 38       | Y   | 1          | 48.26     | 45.72 | 43.18 | 9.66 | 10.66 | 6.10 |
| -----                           | 87920-8385       | 87920-8388    | 38       | Y   | 2          | 48.26     | 45.72 | 43.18 | 9.66 | 10.66 | 6.10 |
| -----                           | 87920-8386       | 87920-8389    | 38       | Y   | 3          | 48.26     | 45.72 | 43.18 | 9.66 | 10.66 | 6.10 |
| 87920-8118                      | 87920-8404       | 87920-8407    | 40       | Y   | 1          | 50.80     | 48.26 | 45.72 | 9.66 | 10.66 | 6.10 |
| 87920-8218                      | 87920-8405       | 87920-8408    | 40       | Y   | 2          | 50.80     | 48.26 | 45.72 | 9.66 | 10.66 | 6.10 |
| 87920-8318                      | 87920-8406       | 87920-8409    | 40       | Y   | 3          | 50.80     | 48.26 | 45.72 | 9.66 | 10.66 | 6.10 |

|   |  |  |   |   |              |                        |
|---|--|--|---|---|--------------|------------------------|
| <b>ADD P/N: 87920-9120</b><br>EC NO: S2011-0043<br>DRWN:SKANG 2010/07/14<br>CH'KD:ATSEE 2010/08/02<br>APPR:MLONG 2010/08/03 | QUALITY SYMBOLS                                    | GENERAL TOLERANCES (UNLESS SPECIFIED)  | DIMENSION STYLE   | SCALE   | DESIGN UNITS | THIRD ANGLE PROJECTION |
|   | $\nabla_A = 0$<br>$\nabla_C = 0$<br>$\nabla_P = 0$ | mm    INCH   | MM ONLY   | NTS   | METRIC       |                        |
|   |  | 4 PLACES ± --- ± ---<br>3 PLACES ± --- ± ---<br>2 PLACES ± 0.2 ± ---<br>1 PLACE ± --- ± ---<br>ANGULAR ± 3 ° | DRAWN BY SKLIM01    DATE 2006/02/09<br>CHECKED BY    DATE<br>APPROVED BY    DATE<br>MLONG    2010/02/08   | TITLE<br><b>CUSTOM HEADER<br/>         2.54MM PITCH DUAL ROW<br/>         HEADER SINGLE WAFER SMT</b> |              |                        |
|   |  | DRAFT WHERE APPLICABLE<br>MUST REMAIN WITHIN DIMENSIONS  | MATERIAL NO.    SEE TABLE<br>SIZE A3    THIS DRAWING CONTAINS INFORMATION THAT IS PROPRIETARY TO MOLEX INCORPORATED AND SHOULD NOT BE USED WITHOUT WRITTEN PERMISSION | MOLEX MOLEX INCORPORATED<br>DOCUMENT NO. SD-87920-020<br>SHEET NO. 11 OF 11                           |              |                        |