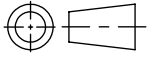
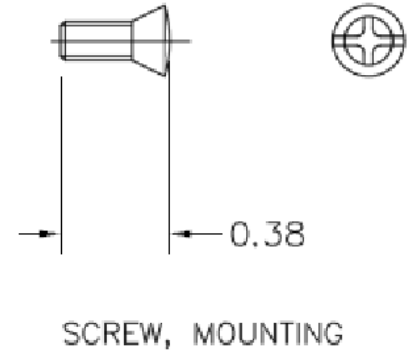
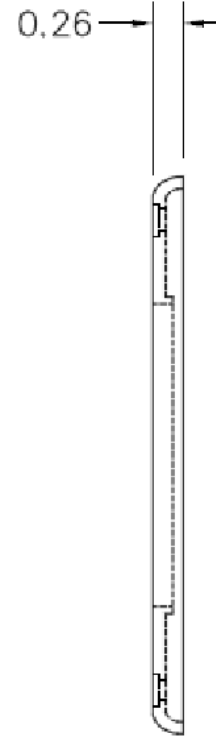
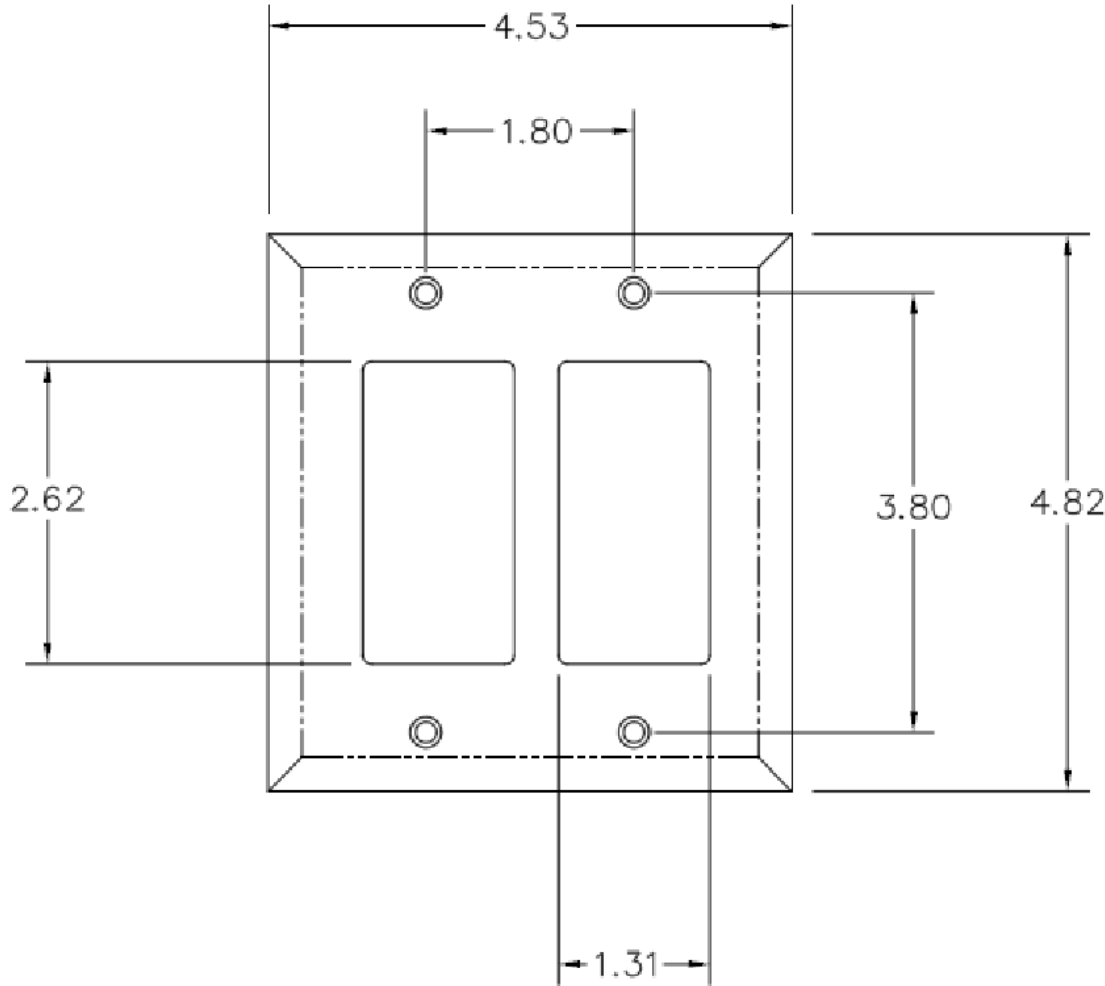


SW2014



Revision level			Revision Record	Changed	Date	Approved	Date
Drawing	State	Part					
.			SEE ECN# 013157	SNH	6/11/2015	KAC	6/11/2015



Material
ABS 94V-0

Units: **millimeters**
 Dimension without tolerances details to:
 .XXX = ±.013
 .XX = ±.13
 .X = ±.3
 None = ±.8
 < = ±0.5°
 Dimension Formatted mm/[in]

The copyright of this drawing is reserved by HellermannTyton. It is issued on condition that it is not reproduced, copied, or disclosed to a third party, either wholly or in part, without the consent of HellermannTyton.

Drawn	SNH	6/11/2015
Approved	KAC	6/11/2015

HellermannTyton
 North America
 Email: corp@htamericas.com
 Web: www.hellermann.tyton.com

Article/Type-No	FPRDG	Scale	1:1
Title	DUAL GANG RECTANGULAR DECORATOR FACEPLATE		Project Number
Drawing-No	15-0377-002-CSU		PRP 15-0377
: Phase		Format	AH
		Sheet	1/1