

## 1. Scope

The present specifications shall apply to Sanken silicon diode, EN01Z.

## 2. Outline

Type	Silicon Rectifier Diode (Mesa type)
Structure	Resin Molded      Flammability: UL94V-0 (Equivalent)
Applications	Pulse Rectification, etc

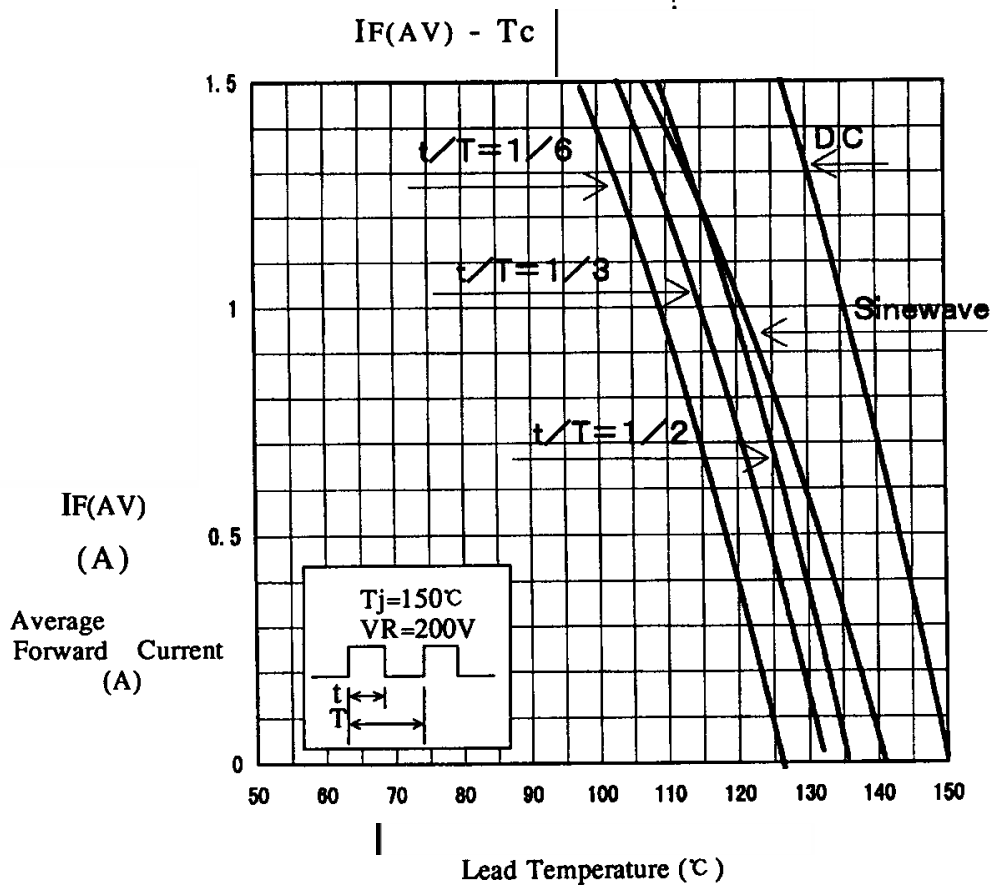
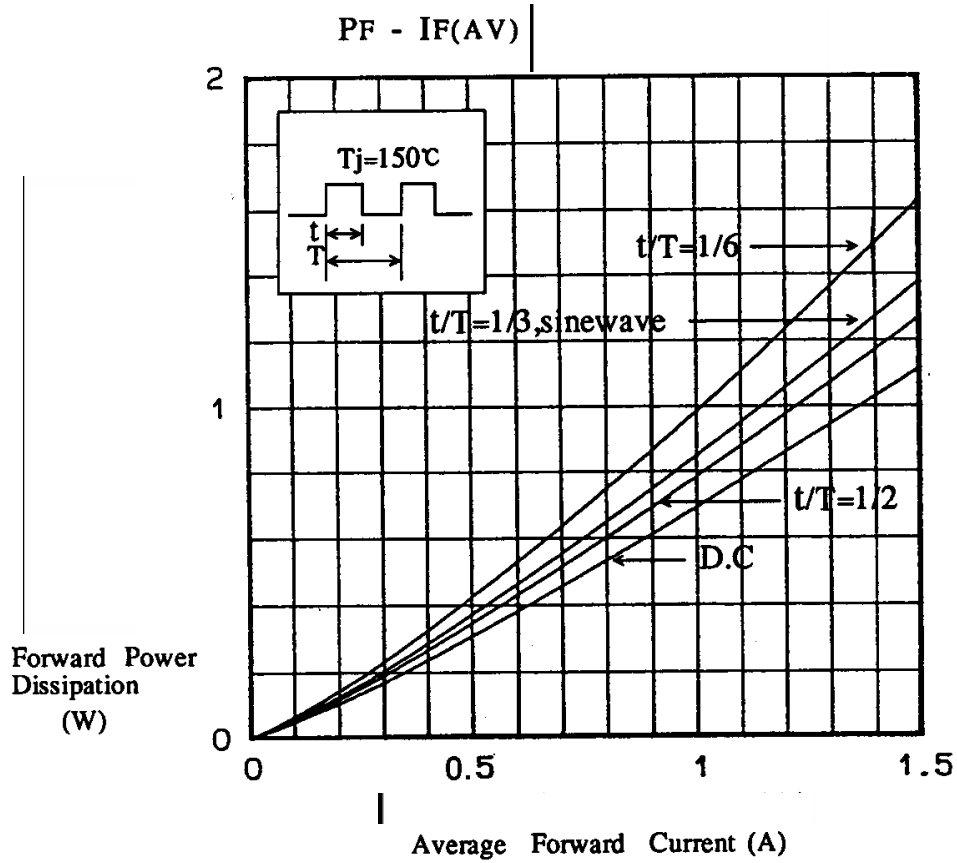
## 3. Absolute maximum ratings

No.	Item	Symbol	Unit	Rating	Conditions
1	Transient Peak Reverse Voltage	$V_{RSM}$	V	200	
2	Peak Reverse Voltage	$V_{RM}$	V	200	
3	Average Forward Current	$I_{F(AV)}$	A	1.5	$T_l=107^\circ\text{C}$ , Sinewave
4	Peak Surge Forward Current	$I_{FSM}$	A	50	10msec. Sinewave, one shot
5	Junction Temperature	$T_j$	$^\circ\text{C}$	-40~+150	
6	Storage Temperature	$T_{stg}$	$^\circ\text{C}$	-40~+150	

4. Electrical characteristics ( $T_a=25^\circ\text{C}$ , unless otherwise specified)

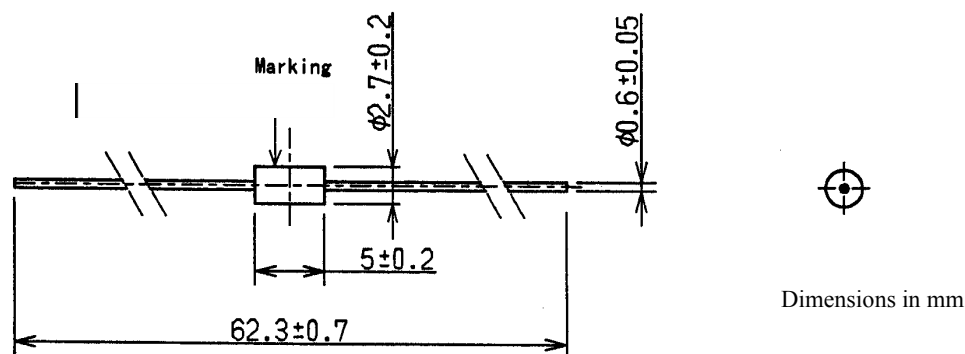
No.	Item	Symbol	Unit	Value	Conditions
1	Forward Voltage Drop	$V_F$	V	0.92 max.	$I_F=1.5\text{A}$
2	Reverse Leakage Current	$I_R$	$\mu\text{A}$	10 max.	$V_R=V_{RM}$
3	Reverse Leakage Current Under High Temperature	$H \cdot I_R$	mA	2.0 max.	$V_R=V_{RM}$ , $T_j=150^\circ\text{C}$
4	Reverse Recovery Time	$t_{rr1}$	ns	100 max.	@ $I_F=I_{RP}=100\text{mA}$ 90% Recovery point
		$t_{rr2}$	ns	50 max.	@ $I_F=100\text{mA}$ , $I_{RP}=200\text{mA}$ , 75% Recovery point
5	Thermal Resistance	$R_{th(j-l)}$	$^\circ\text{C}/\text{W}$	20 max.	Between Junction and Lead

5. Derating



6. Dimensions, inner structure and marking

6-1 Dimensions refer

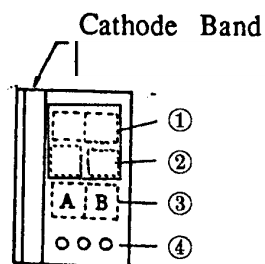


- \*1 The allowance position of body against the center of whole lead wire is 0.5mm (max.)
- \*2 The centric allowance of lead wire against center of physical body is 0.3mm (max.)
- \*3 The burr may exist up to 2mm from the body of lead.

6-2 Appearance

The body shall be clean and shall not bear any stain, rust or flaw.  
The color of the case will be black.

6-3 Marking



- ① Type number N0 as abbreviated as EN01  
1
- ② Class number Z : 200V
- ③ Lot number 1  
A : Year (Last digit of calendar year)  
B : Month (From 1 to 9 for Jan. to sep.,  
O for Oct., N for Nov., and D for Dec.)
- ④ Lot number 2 (ten days)  
Ten days : · : First ten days, ·· : Second ten days, ... : Third ten days