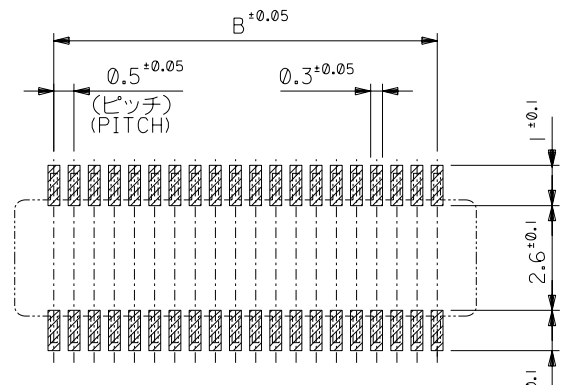
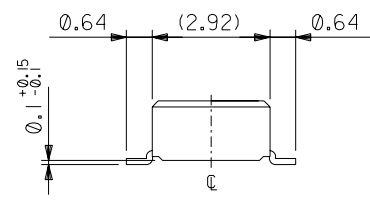
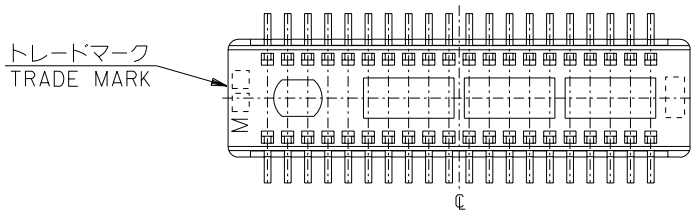
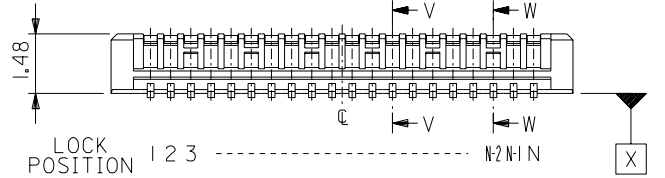
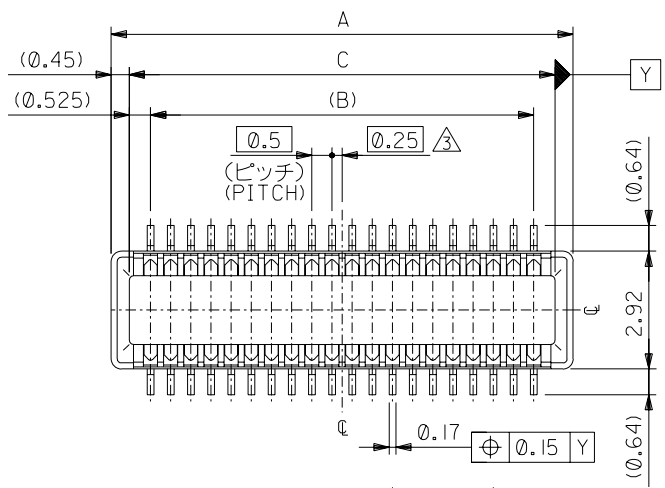
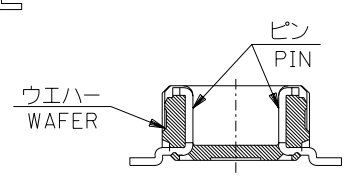


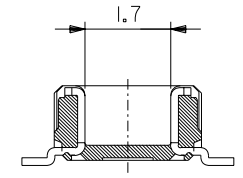
DWG. NO.  
SD-500334-001



参考基板レイアウト (マウント面)  
P.C. BOARD PATTERN DIMENSION (REF.)  
(MOUNTING AREA)



SECT.W-W(LOCK PART)

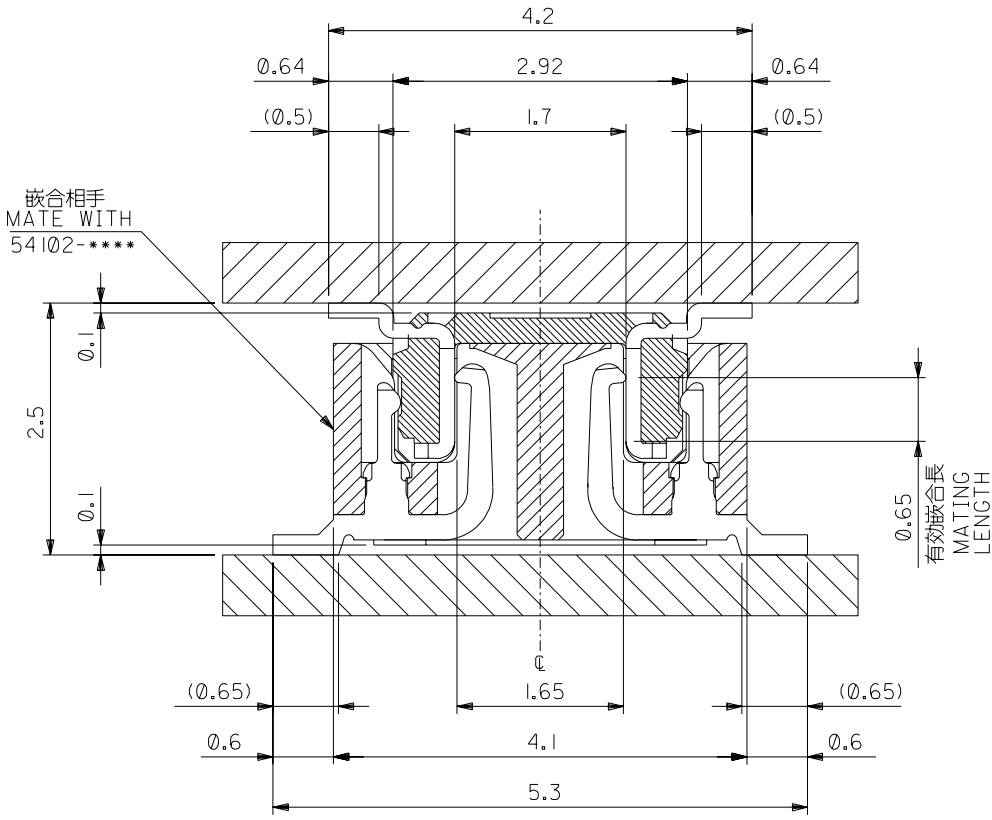


SECT.V-V(W/O LOCK PART)

ALL	8.05	7	8.95	500334-0308	30
	5.55	4.5	6.45	500334-0208	20
	4.55	3.5	5.45	500334-0168	16
LOCK POSITION	C	B	A	MATERIAL No.	CIRCUIT

DO NOT SCALE DRAWING

EC NO. DRWN: CHK: APPR:	EC NO. DRWN: CHK: APPR:	EC NO. DRWN: CHK: APPR:	REVISED '04/03/22 EC NO. J2004-2899 DRWN: K.TOYODA CHK: K.ASAKAWA APPR: S.ICHIKAWA	RELEASED '03/04/04 EC NO. J2003-2536 DRWN: T.YASUI CHK: T.IITO APPR: T.YAMAGUCHI	DESCRIPTION MATERIAL 材料 FINISH 仕上げ WIRE RANGE 適用線径範囲 INS. RANGE 被覆外径	注記参照 SEE NOTES —	GENERAL TOLERANCES: (UNLESS SPECIFIED) 一般公差 10 UNDER 未満 ±0.2 10 OVER 30 UNDER 未満 ±0.25 30 OVER 以上 ±0.3 ANGLE 角度 ±3°	SCALE —	MODEL No. 500334-***8 DESIGN UNITS <input checked="" type="checkbox"/> mm <input type="checkbox"/> INCH	DIMENSIONS: <input type="checkbox"/> mm <input type="checkbox"/> INCH <input type="checkbox"/> mm ONLY <input checked="" type="checkbox"/> THIRD ANGLE PROJECTION	SHT 1 OF 2 REV
			A	0					TITLE: 0.5 BOARD TO BOARD Conn PLUG Assy (Hgt=2.5) -LEAD FREE-	MATERIAL NO. SEE CHART DRAWING NO. SD-500334-001	THIS DRAWING CONTAINS INFORMATION THAT IS PROPRIETARY TO MOLEX INCORPORATED AND SHOULD NOT BE USED WITHOUT WRITTEN PERMISSION.
									MOLEX MOLEX INCORPORATED		SIZE B



嵌合断面図(参考)  
MATED DRAWING (REF.)

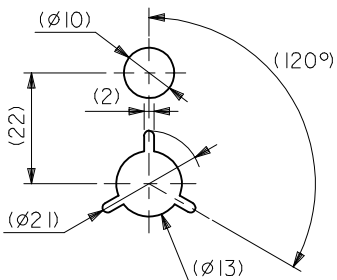
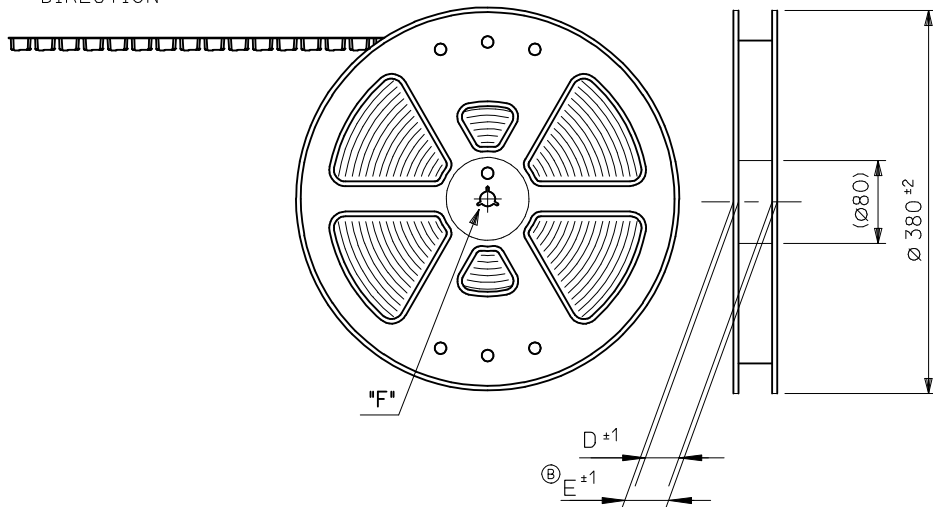
注記 NOTES:

1. 使用材料 MATERIAL  
ハウジング: 液晶ポリマー (LCP), ガラス充填, UL94V-0, 色: 黒  
HOUSING: LIQUID CRYSTAL POLYMER(LCP), GLASS FILLED  
UL94V-0, COLOR: BLACK  
ターミナル: 黄銅 (t=0.15)  
TERMINAL: BRASS (t=0.15)
2. メッキ仕様 PLATING  
金メッキ 0.25マイクロメートル以上 (コンタクト部)  
GOLD(Au) 0.25 MICROMETER MINIMUM (CONTACT AREA)  
金メッキ 0.4マイクロメートル以下 (テール部)  
GOLD(Au) 0.4 MICROMETER MAXIMUM (TAIL AREA)  
下地メッキ: ニッケルメッキ 1.5マイクロメートル以上  
UNDER PLATING: NICKEL 1.5 MICROMETER MINIMUM
- ③ (全極数/2) = 偶数の場合に適用。  
APPLY FOR (CIRCUIT/2)=EVEN.
4. 嵌合相手: 54102シリーズ  
MATE WITH: 54102 SERIES.
5. テール平坦度は 0.1以下。  
TAIL COPLANARITY TO BE 0.1 MAXIMUM.

DO NOT SCALE DRAWING

④64 NO. DRWN: CH'K: APPR: ④63 NO. DRWN: CH'K: APPR: ④62 NO. DRWN: CH'K: APPR: ④61 NO. DRWN: CH'K: APPR: A		④60 NO. DRWN: CH'K: APPR: SEE SHEET 1 OF 2	④59 NO. DRWN: CH'K: APPR: ④58 NO. DRWN: CH'K: APPR: ④57 NO. DRWN: CH'K: APPR: ④56 NO. DRWN: CH'K: APPR: ④55 NO. DRWN: CH'K: APPR: ④54 NO. DRWN: CH'K: APPR: ④53 NO. DRWN: CH'K: APPR: ④52 NO. DRWN: CH'K: APPR: ④51 NO. DRWN: CH'K: APPR: ④50 NO. DRWN: CH'K: APPR: ④49 NO. DRWN: CH'K: APPR: ④48 NO. DRWN: CH'K: APPR: ④47 NO. DRWN: CH'K: APPR: ④46 NO. DRWN: CH'K: APPR: ④45 NO. DRWN: CH'K: APPR: ④44 NO. DRWN: CH'K: APPR: ④43 NO. DRWN: CH'K: APPR: ④42 NO. DRWN: CH'K: APPR: ④41 NO. DRWN: CH'K: APPR: ④40 NO. DRWN: CH'K: APPR: ④39 NO. DRWN: CH'K: APPR: ④38 NO. DRWN: CH'K: APPR: ④37 NO. DRWN: CH'K: APPR: ④36 NO. DRWN: CH'K: APPR: ④35 NO. DRWN: CH'K: APPR: ④34 NO. DRWN: CH'K: APPR: ④33 NO. DRWN: CH'K: APPR: ④32 NO. DRWN: CH'K: APPR: ④31 NO. DRWN: CH'K: APPR: ④30 NO. DRWN: CH'K: APPR: ④29 NO. DRWN: CH'K: APPR: ④28 NO. DRWN: CH'K: APPR: ④27 NO. DRWN: CH'K: APPR: ④26 NO. DRWN: CH'K: APPR: ④25 NO. DRWN: CH'K: APPR: ④24 NO. DRWN: CH'K: APPR: ④23 NO. DRWN: CH'K: APPR: ④22 NO. DRWN: CH'K: APPR: ④21 NO. DRWN: CH'K: APPR: ④20 NO. DRWN: CH'K: APPR: ④19 NO. DRWN: CH'K: APPR: ④18 NO. DRWN: CH'K: APPR: ④17 NO. DRWN: CH'K: APPR: ④16 NO. DRWN: CH'K: APPR: ④15 NO. DRWN: CH'K: APPR: ④14 NO. DRWN: CH'K: APPR: ④13 NO. DRWN: CH'K: APPR: ④12 NO. DRWN: CH'K: APPR: ④11 NO. DRWN: CH'K: APPR: ④10 NO. DRWN: CH'K: APPR: ④9 NO. DRWN: CH'K: APPR: ④8 NO. DRWN: CH'K: APPR: ④7 NO. DRWN: CH'K: APPR: ④6 NO. DRWN: CH'K: APPR: ④5 NO. DRWN: CH'K: APPR: ④4 NO. DRWN: CH'K: APPR: ④3 NO. DRWN: CH'K: APPR: ④2 NO. DRWN: CH'K: APPR: ④1 NO. DRWN: CH'K: APPR:	MATERIAL 材料 注記参照 SEE NOTES FINISH 仕上げ 適用 適用 WIRE RANGE 適用 適用 INS. RANGE 被覆 被覆	GENERAL TOLERANCES: (UNLESS SPECIFIED) 一般公差 10 UNDER 未満 ±0.2 10 OVER 以上 ±0.25 30 UNDER 未満 ±0.25 30 OVER 以上 ±0.3 ANGLE 角度 ±3°	SCALE 1:1 DESIGN UNITS mm INCH DIMENSIONS: mm INCH mm ONLY SHT 2 OF 2 REV B TITLE: 0.5 BOARD TO BOARD Conn PLUG Assy (Hgt=2.5) -LEAD FREE- MOLEX INCORPORATED MATERIAL NO. SEE CHART DRAWING NO. SD-500334-001 SHEET NO. 2 OF 2 SIZE B	MODEL No. 500334-***8 DIMENSIONS: mm INCH mm ONLY SHT 2 OF 2 REV B TITLE: 0.5 BOARD TO BOARD Conn PLUG Assy (Hgt=2.5) -LEAD FREE- MOLEX INCORPORATED MATERIAL NO. SEE CHART DRAWING NO. SD-500334-001 SHEET NO. 2 OF 2 SIZE B
---	--	---	--	---	--	---	--

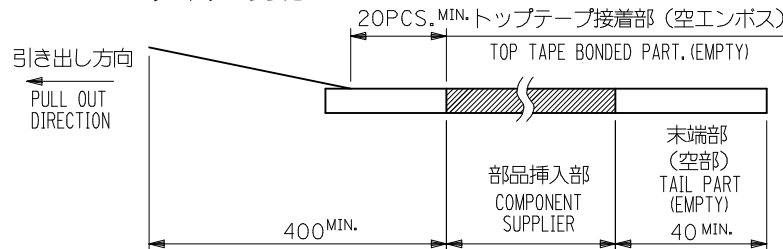
引き出し方向  
PULL OUT  
DIRECTION



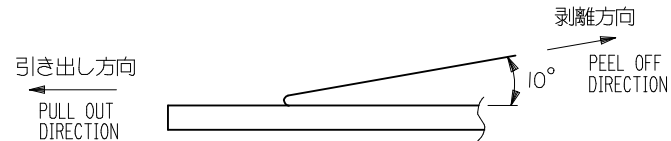
DETAIL "F"

NOTES

- 製品詳細寸法については図面 SD-500334-001 を参照下さい。  
RE DETAILED DIMENSION, SEE SD-500334-001
- 梱包数量：3000個/リール  
NUMBER OF CONNECTORS : 3000PCS/REEL
- リードテープ長さ LEAD TAPE LENGTH



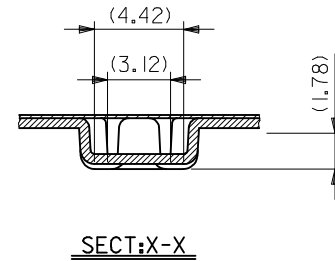
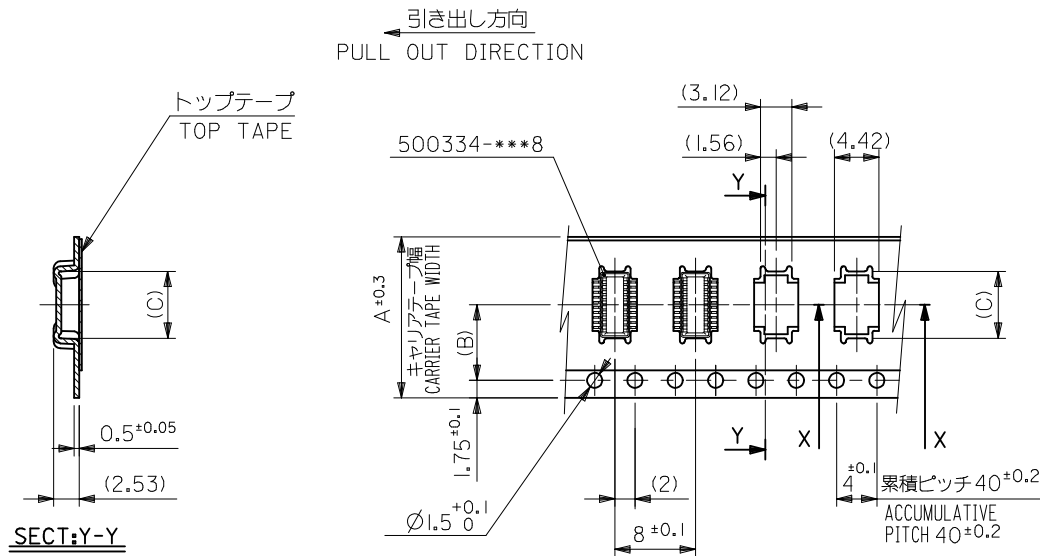
- トップテープの剥離強度：0.1N ~ 0.7N (10.2gf ~ 71.4gf)  
(剥離方向は下図参照)  
尚、本規格値は出荷時に適用。(但し、輸送時に剥離が発生しないこと。)  
PEELING OFF FORCE OF TOP TAPE : 0.1N ~ 0.7N (10.2gf ~ 71.4gf)  
(PEELING DIRECTION AS SHOWN IN FOLLOWING FIG.)  
THIS REQUIREMENT SHOULD BE APPLIED AT SHIPMENT.  
PEEL OFF SHOULD NOT BE ALLOWED , DURING TRANSPORTATION.



⑤. 材料 MATERIAL

キャリアテープ：ポリプロピレン (PP)  
CARRIER TAPE : POLYPROPYLENE (PP)  
トップテープ：ポリエステル (PET)、ポリエチレン (PE)、ポリエチレンフォーム (PEF)  
TOP TAPE : POLYESTER (PET)、POLYETHYLENE (PE)、POLYETHYLENEFOAM (PEF)  
リール：ポリスチレン (PS) <リサイクル材を含む>  
REEL : POLYSTYRENE (PS) <RECYCLE MATERIAL CONTAINED>

REVISED EC NO: J2009-2132 DRWN: YOSHIKAWA 2009/03/19 CHKD: HAYASHI 2009/03/23 APPR: NUKITA 2009/03/24	DESCRIPTION	GENERAL TOLERANCES (UNLESS SPECIFIED)		DIMENSION STYLE MM ONLY		SCALE ---	DESIGN UNITS METRIC	THIRD ANGLE PROJECTION	
		10 UNDER	± 0.2	DRAWN BY N. YOSHIKAWA	DATE 2009/03/18	TITLE EMBSTP PKG FOR 0.5 B/B PLUG ASSY (HGT=2.5) -LEAD FREE-			
		10 OVER 30 UNDER	± 0.25	CHECKED BY M. HAYASHI	DATE 2009/03/18	MOLEX INCORPORATED			
		30 OVER	± 0.3	APPROVED BY N. UKITA	DATE 2009/03/18	MATERIAL NO. SEE CHART		DOCUMENT NO. SD-500334-002	SHEET NO. 1 OF 2
REV		ANGULAR ± 3 ° DRAFT WHERE APPLICABLE MUST REMAIN WITHIN DIMENSIONS		THIS DRAWING CONTAINS INFORMATION THAT IS PROPRIETARY TO MOLEX INCORPORATED AND SHOULD NOT BE USED WITHOUT WRITTEN PERMISSION					



16mm幅キャリアテープ  
16mm WIDTH CARRIER TAPE

500334-***0	29.4	25.4	9.15	11.5	24	500334-0300	30
	21.4	17.4	6.65	7.5	16	500334-0200	20 <sup>Ⓞ</sup>
	21.4	17.4	5.65	7.5	16	500334-0160	16
MODEL NO.	<sup>Ⓞ</sup> E	<sup>Ⓞ</sup> D	(C)	(B)	A	MATERIAL No.	極数 CKT.

<b>REVISED</b> EC NO: J2009-2132 DRWN: YOSHIKAWA 2009/03/19 CHK'D: M. HAYASHI 2009/03/23 APPR: NUKITA 2009/03/24	GENERAL TOLERANCES (UNLESS SPECIFIED)		DIMENSION STYLE <b>MM ONLY</b>		SCALE ---	DESIGN UNITS <b>METRIC</b>	THIRD ANGLE PROJECTION
	10 UNDER	±0.2	DRAWN BY N. YOSHIKAWA	DATE 2009/03/19	TITLE <b>EMBSTP PKG FOR 0.5 B/B PLUG ASSY (HGT=2.5) -LEAD FREE-</b>		
	10 OVER 30 UNDER	±0.25	CHECKED BY M. HAYASHI	DATE 2009/03/19	MOLEX INCORPORATED		
	30 OVER	±0.3	APPROVED BY N. UKITA	DATE 2009/03/19	DOCUMENT NO. <b>SD-500334-002</b>		
	ANGULAR ±3 °	DRAFT WHERE APPLICABLE MUST REMAIN WITHIN DIMENSIONS		MATERIAL NO. <b>SEE CHART</b>		SHEET NO. <b>2 OF 2</b>	
		THIS DRAWING CONTAINS INFORMATION THAT IS PROPRIETARY TO MOLEX INCORPORATED AND SHOULD NOT BE USED WITHOUT WRITTEN PERMISSION					