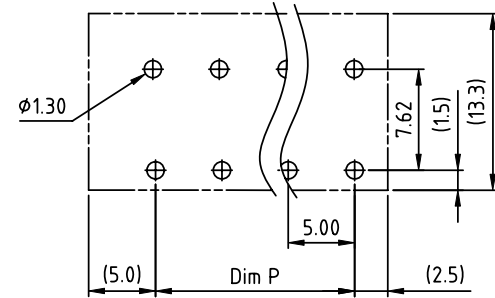
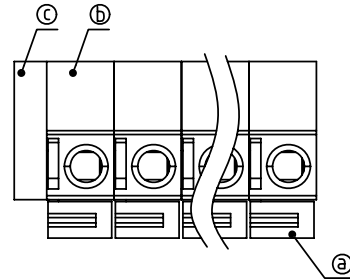
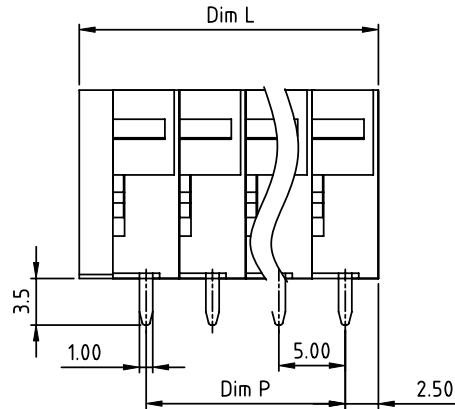
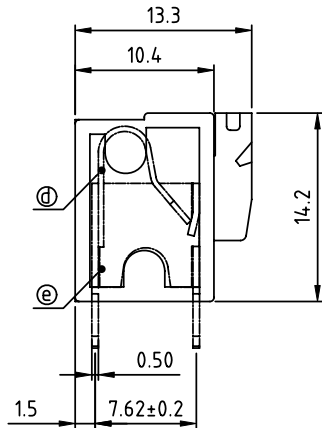


PRODUCT NUMBER	PITCH
HAxx30x000J0G	5.00 mm



RECOMMENDED P.C.B LAYOUT
TOP VIEW



Material:

- Item①Lever:Thermoplastic (UL94V-0) Orange (RAL2011/P)
- Item②Terminal body:Thermoplastic (UL94V-0)
- Item③cover:Thermoplastic (UL94V-0)
- Item④Spring clamp: Stainless steel
- Item⑤contact pin: Brass Tin plated

Electrical

- cULus/VDE
- Voltage rating: 300VAC/250VAC
- Current rating: 10A/10A
- Wire range: 0.75-1.5mm²
- Solid wire(AWG): 14-24
- Stranded wire(AWG): 14-24
- Wire strip length: 9-10mm
- Withstanding Voltage: 1.6KV/2KV
- Operating temperature: -40°C to +115°C
- Soldering temperature: 260°C±5°C/5 Sec
- Safety Approval:

N=Number of poles
Dim L=Nx5.0+2.54
Dim P=(N-1)x5.0

POLES	Dim L	Dim P
2-6p	±0.15	±0.10
7-12p	±0.20	±0.20
13-18p	±0.30	±0.25
19-24p	±0.40	±0.30

PART NO.: HA xx 30 x 0 00J0 G

	End stackable	No. of poles	Color	RoHS compliant
0	0	2	Black (RAL9005)	(lead<4%)
02	2	2 poles	Red (RAL3001/D)	In copper Alloy
03	3	3 poles	Orange(RAL2011/P)	
...	...	4	Yellow(RAL1018/A)	
...	...	5	Green(RAL6018/T)	
24	24 poles	6	Blue (RAL5015/A)	
		8	Grey(RAL7004/P)	
		9	White(RAL1102)	
		C	Multiple colors	

mat'l. code		surface ASME Y14.5	tolerance ASME Y14.5	projection	product family TERMINAL BLOCK
ltr	ecn no	dr	date		title TERMINAL BLOCK
tolerances unless otherwise specified				MM	SPRING CLAMP,90D WIRE INLET
angles				scale	dwg no
X°±1'					sheet 1 of 1
dr				EVIN ZHONG	052314
enr				EVIN ZHONG	052314
chr				HANKE FENG	052314
appd				SHI JUN	052314
sheet index		revision	A	FCI	
		sheet	1	HAXX30X000J0G	
				CUSTOMER Drawing	
				size A4	