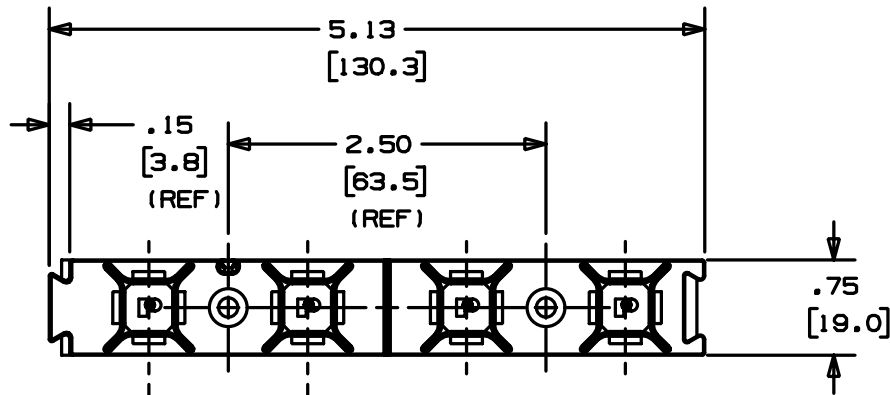
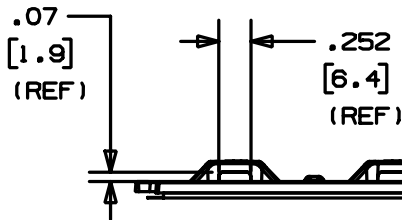


THIS COPY IS PROVIDED ON A RESTRICTED BASIS AND IS NOT TO BE USED IN ANY WAY DETRIMENTAL TO THE INTERESTS OF PANDUIT CORP.



1.25  
[31.8]  
TYP (REF)

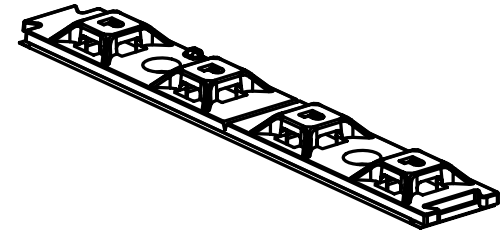


ADHESIVE BACKING: RUBBER OR ACRYLIC BASED PRESSURE SENSITIVE FOAM ADHESIVE TAPE 0.04 (1.0) REF. THICK WITH A PROTECTIVE LINER. MOUNT IS DESIGNED TO SUPPORT 1.85 lbs (838g) MAX. WEIGHT ON A CLEAN DRY SMOOTH SURFACE.

PANDUIT PART NO.	MOUNTING OPTIONS	WEIGHT lbs 10 (g) pcs
ABMQS-_-_-_-	A - RUBBER ADHESIVE AT - ACRYLIC ADHESIVE S6 - SCREW APPLIED	0.13 (58.97)

NOTES:

- SEE CURRENT PRICE SHEET FOR PACKAGE SIZE AND PRODUCT COLOR OPTIONS.
- PRODUCT HAS A CONTINUOUS OPERATING TEMPERATURE:
  - S6 185° F (85° C)
  - A 120° F (50° C)
  - AT 180° F (82° C)
- PRODUCT COMPATIBLE WITH CABLE TIE CROSS-SECTION(S):
  - S STANDARD
  - I INTERMEDIATE
  - M MINATURE
 SUPER GRIP CABLE TIES  
 SG200  
 SG250  
 SG300



DIMENSIONS IN BRACKETS ARE METRIC [ mm ]

CAD FILENAME/LAYERS

G02722DC\_PB\_ABMQ\_00

**PANDUIT**

CORP.

TINLEY PARK, ILLINOIS

ADHESIVE BACKED MULTIPLE  
BRIDGE MOUNT  
(ABMQS-\_-\_-\_-)

UNLESS OTHERWISE SPECIFIED,  
DIMENSIONAL TOLERANCES ARE:  
(.X) ±0.05 (1.3) (.XX) ±0.010 (0.25)  
(.XX) ±0.02 (0.5) ANGLES ± 5°

UNLESS OTHERWISE SPECIFIED,  
ALL DIMENSIONS ARE GIVEN  
IN INCHES, THIRD ANGLE PROJECTION.

REV	DATE	BY	CHK	DESCRIPTION	ECN	R	CUST	SUP
R	2/28/05	TMSA		INITIAL RELEASE	GB2722DC	R		

DRAWN BY JAD	MAT'L: ABS	SCALE NONE
DATE 2/28/05		DRAWING NO. GB2722DC
GR'D		DWG A SIZE