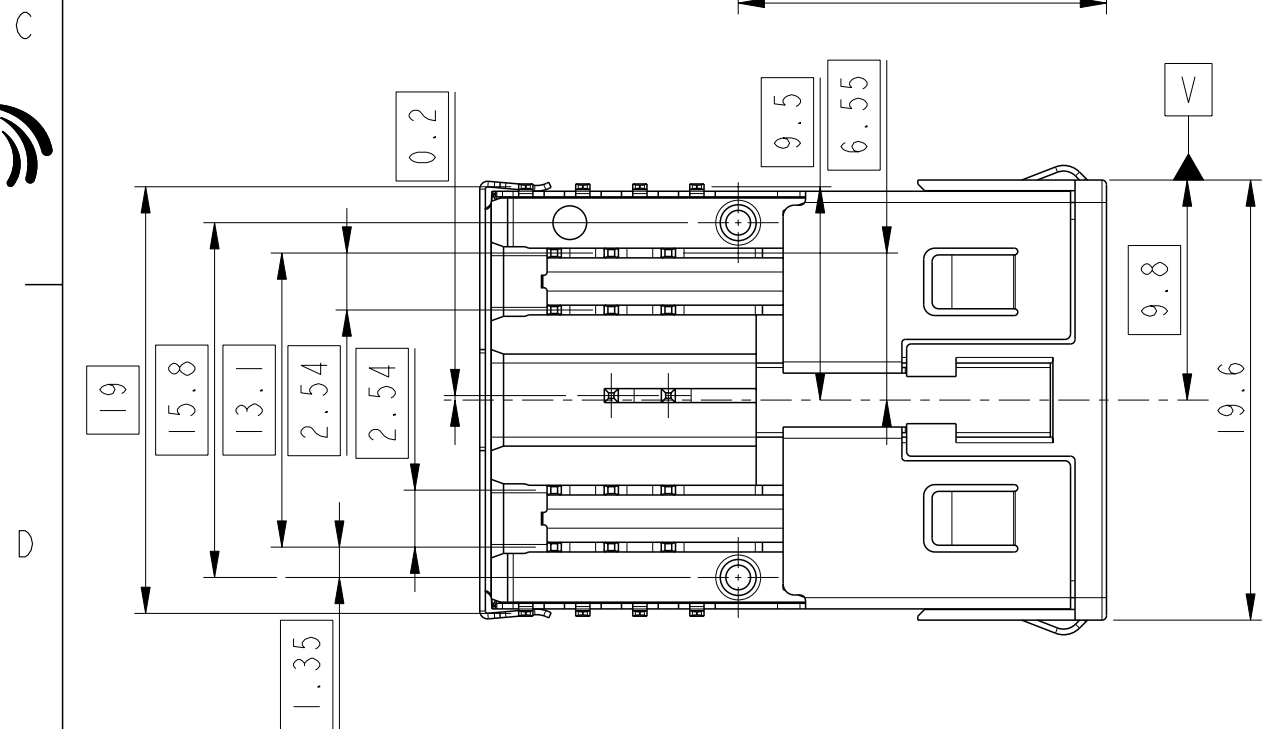
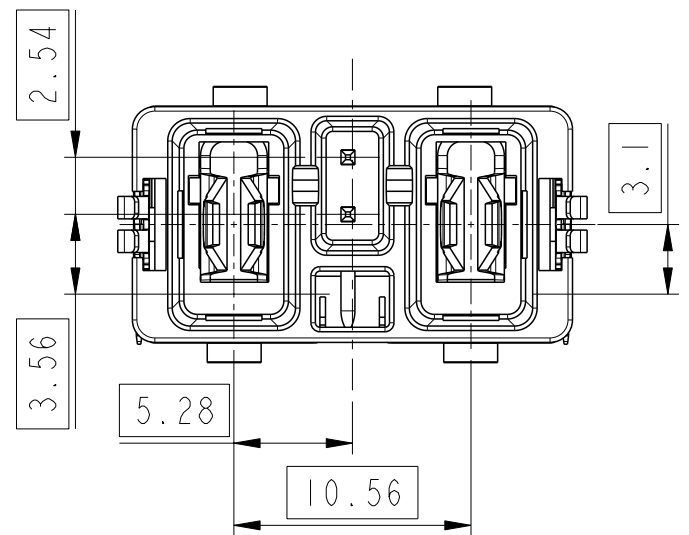
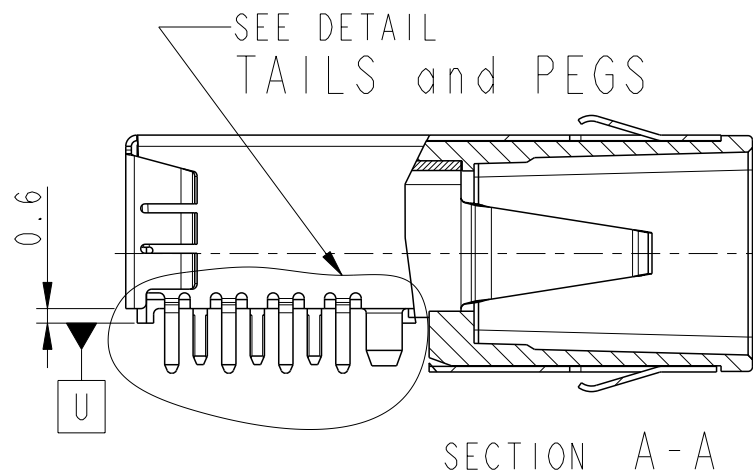
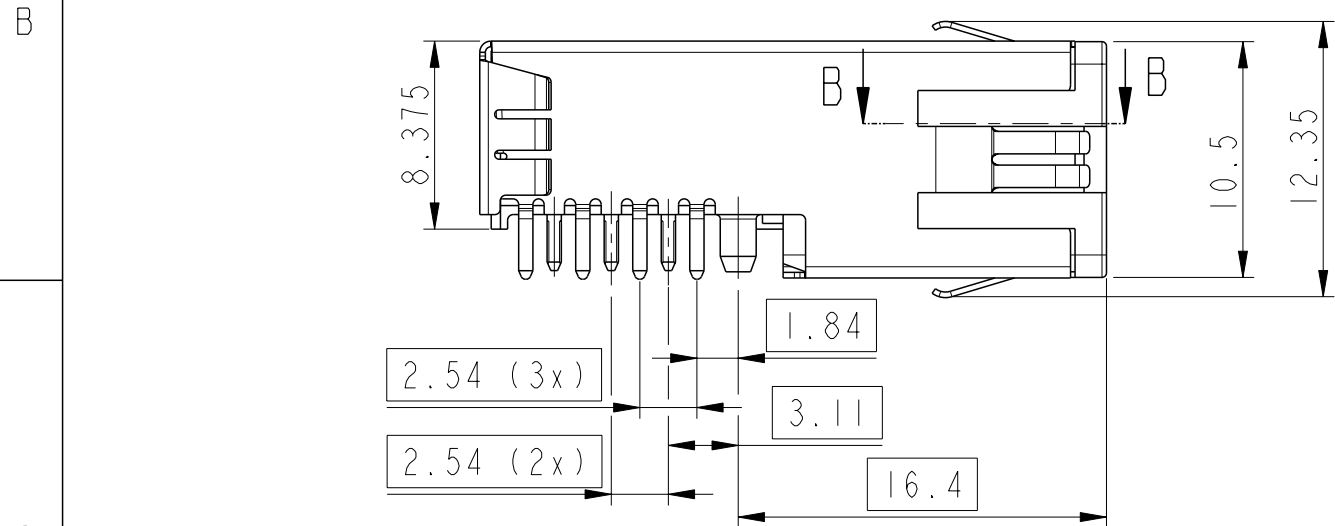
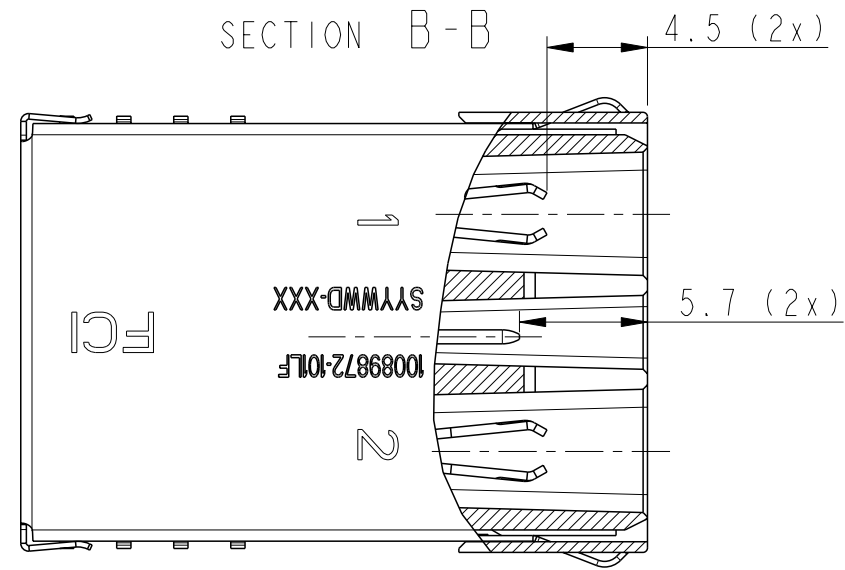
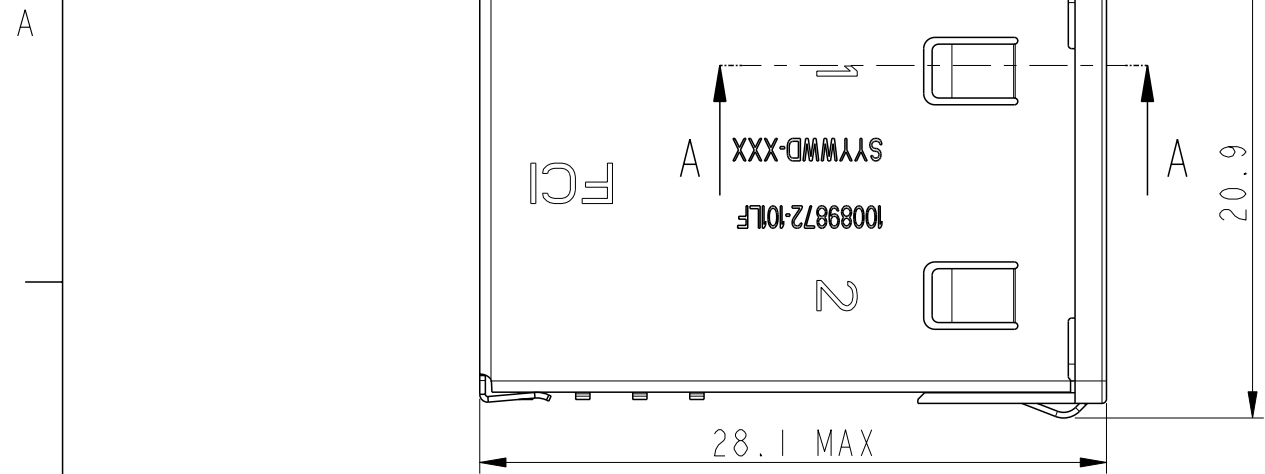
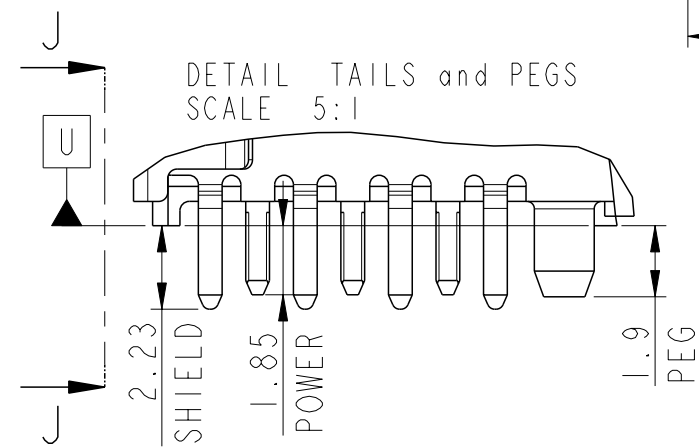
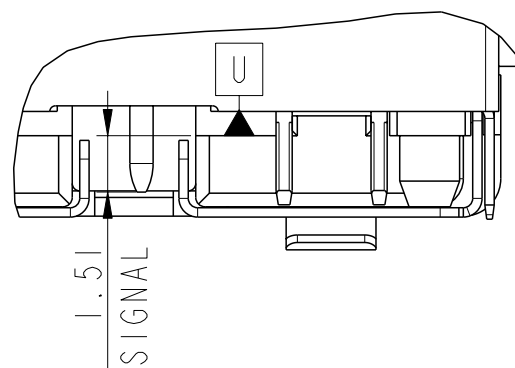


PRODUCT NUMBER
10089872



VIEW : J-J

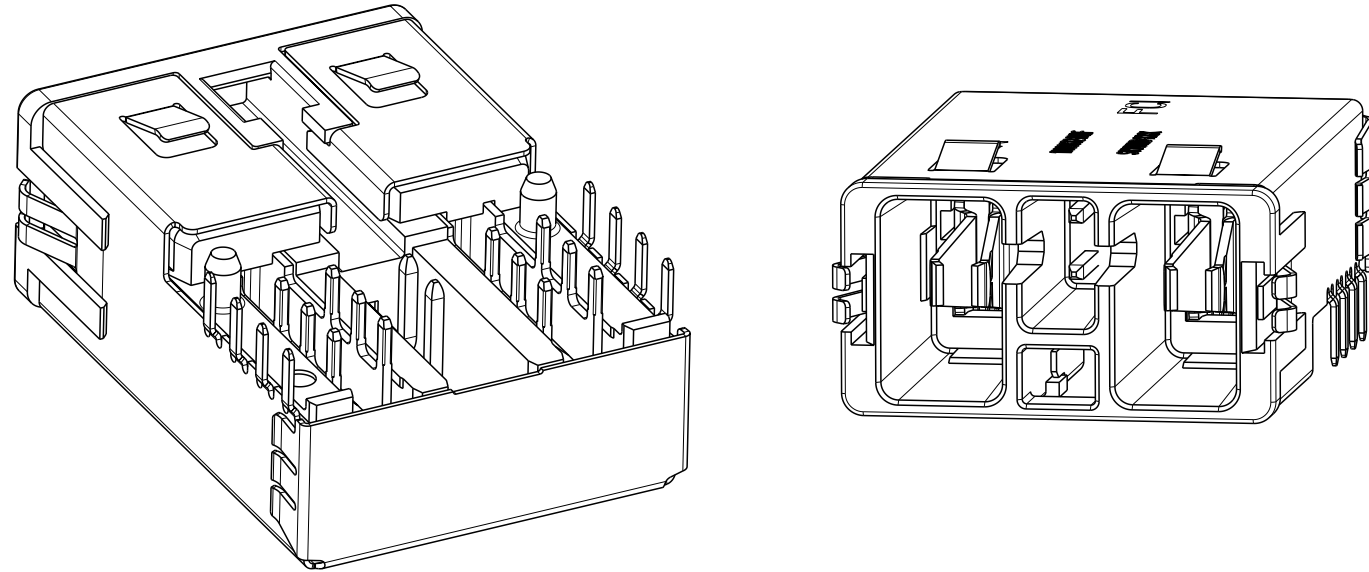


Copyright FCI.

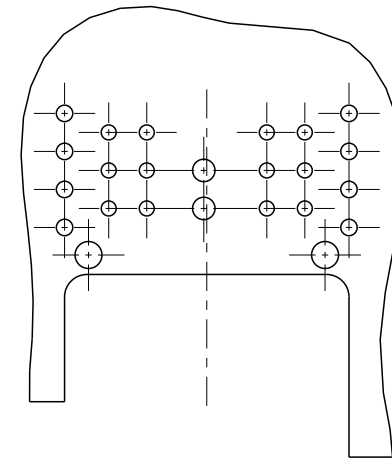
rev	ecn no	dr	date
A	H08-0162	PEP	081218
B	H09-0039	PEP	090316
C	H09-0094	JDB	090828
D	H09-0099	JDB	090917
E	H10-0028	JDB	100521
-	-	-	-
-	-	-	-

www.fci.com		surface - ISO 1302	tolerance std ISO 406 ISO 1101	projection mm
		TOLERANCES UNLESS OTHERWISE SPECIFIED		
Dr	J.DE BRUIJN	2008-08-05	ANGULAR	0.X ±
Eng	J.DE BRUIJN	2008-08-05	LINEAR	0.XX ±
Chr	P.POORTER	2008-12-18	0° ±°	0.XXX ±
Appr	J.DE BRUIJN	2008-12-18	Product family	size A3
				Scale 3:1
				ECN H10-0028
				Spec ref -
BOARD CONNECTOR ASS'Y			dwg no	10089872
POWER PROFILE PLUS, BOARD CONN.				Rev. E
catalog no			CUSTOMER COPY	sheet 1 of 4

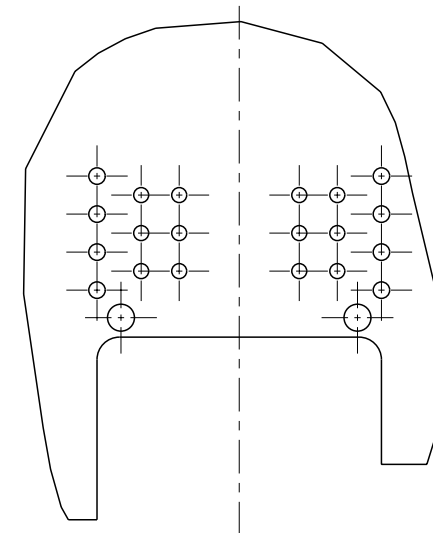
P/N 10089872-101LF,
PIP, Shielded, Enable Function (Signal Contacts Included).



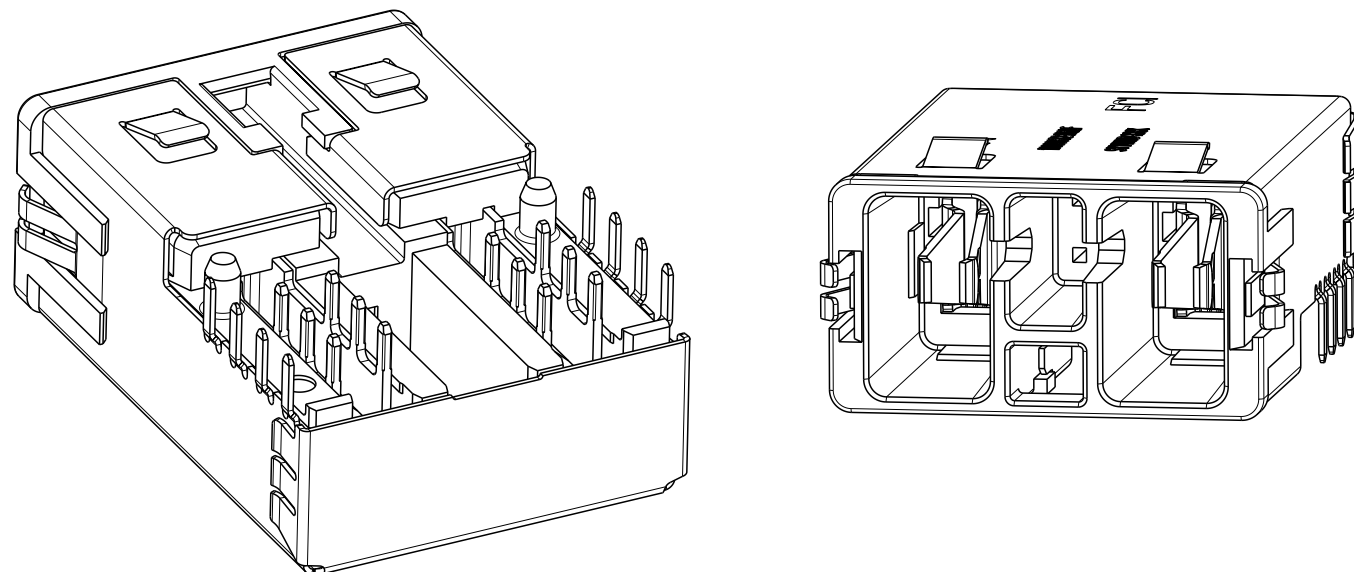
RECOMMENDED PCB LAYOUT:
PIP, Shielded, Enable Function (Signal Circuit Included).



RECOMMENDED PCB LAYOUT:
PIP, Shielded, No Enable Function (Signal Circuit Removed)



P/N 10089872-102LF,
PIP, Shielded, Enable Function (Signal Contacts Removed).

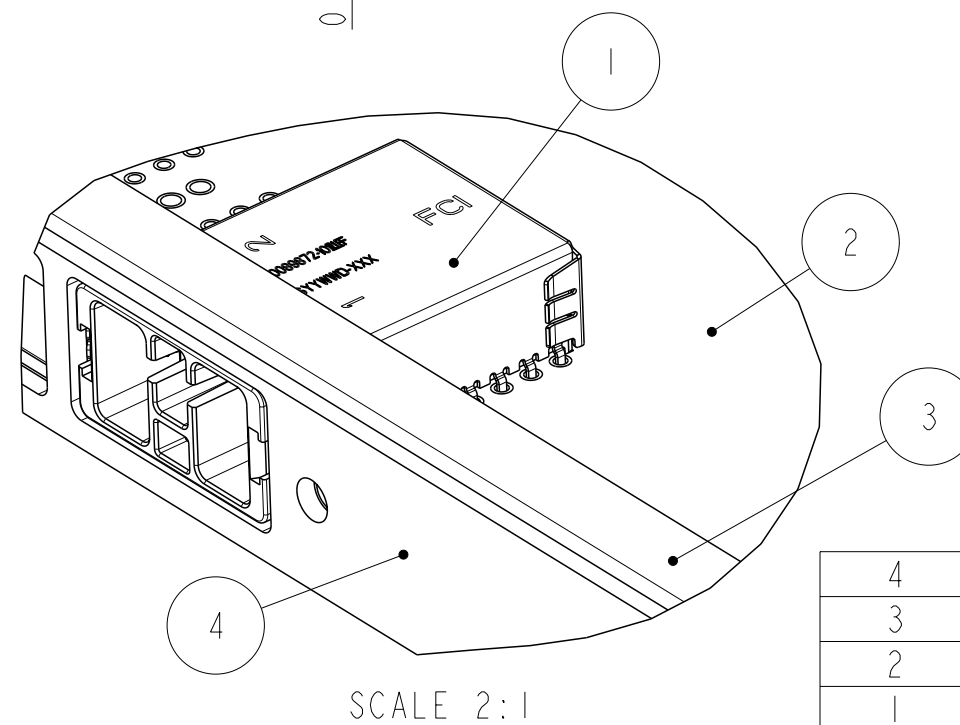
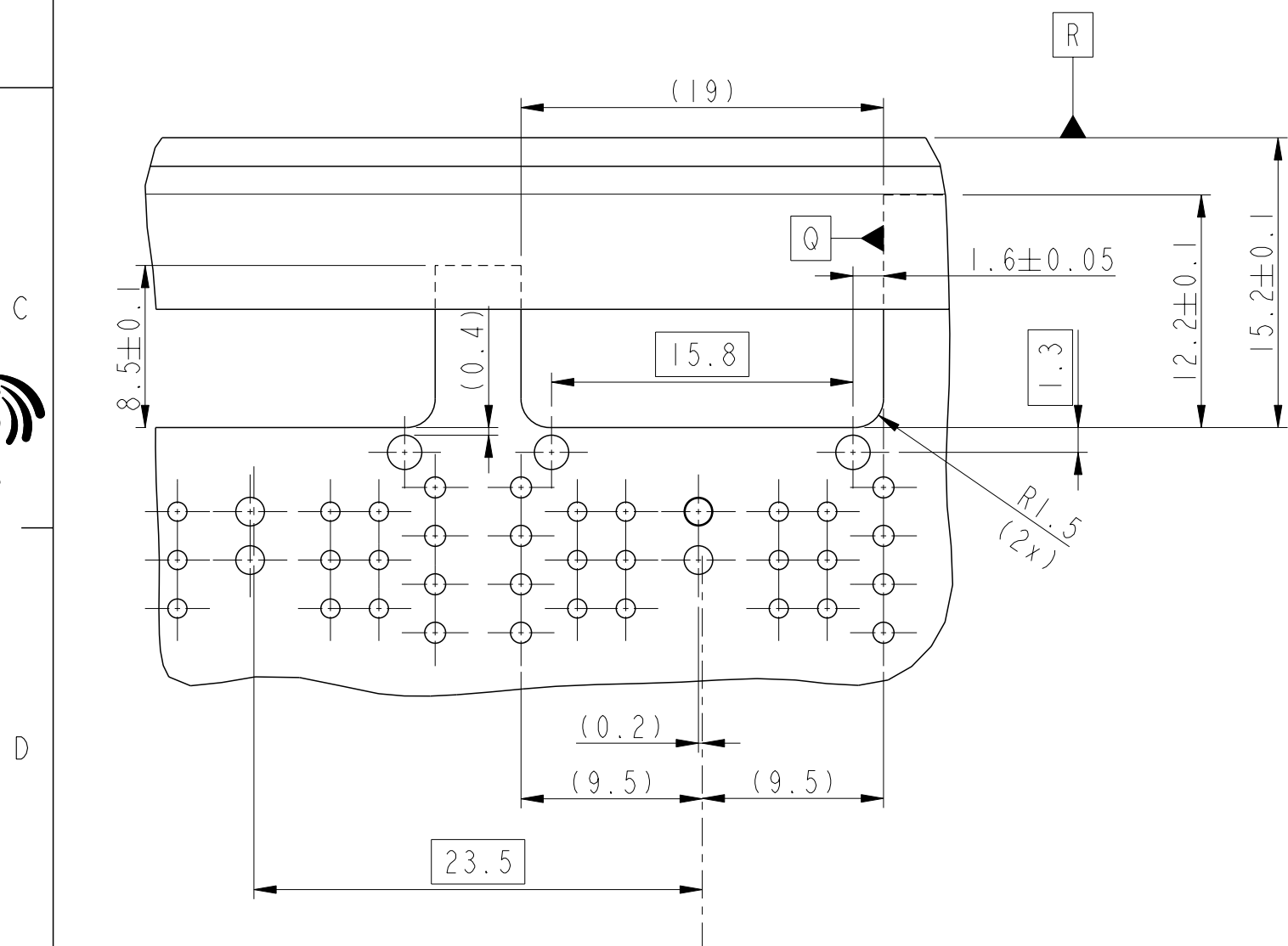
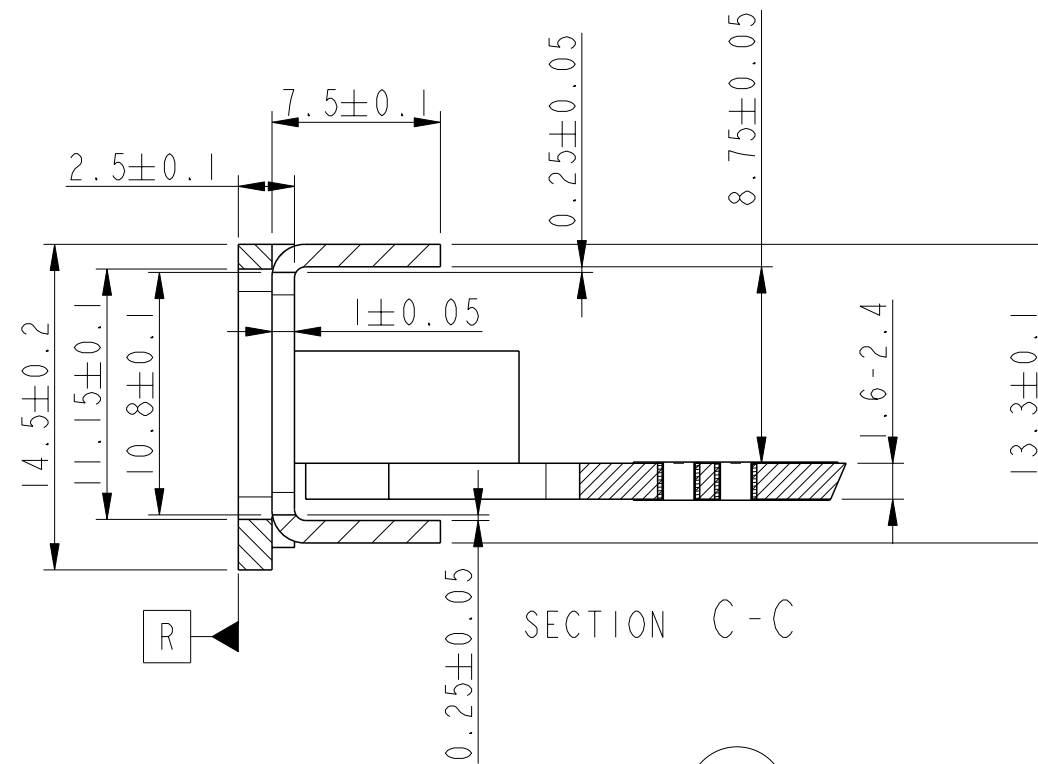
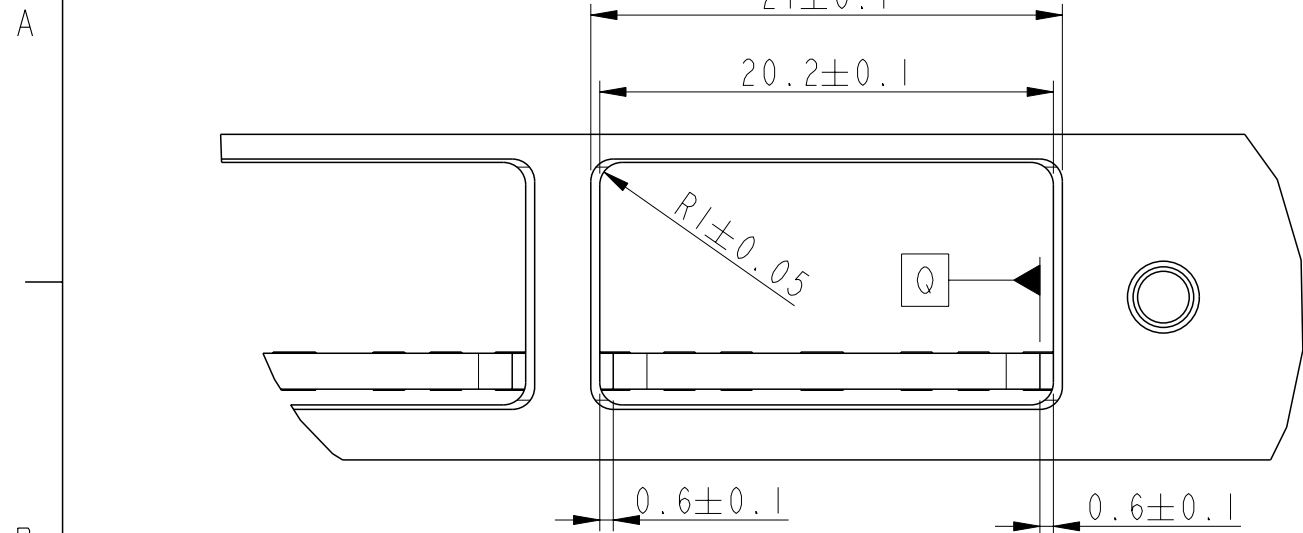


www.fci.com		surface - <input checked="" type="checkbox"/>	tolerance std	projection	mm
		ISO 1302	ISO 406 ISO 1101		
		TOLERANCES UNLESS OTHERWISE SPECIFIED			
Dr	J.DE BRUIJN	2008-08-05	ANGULAR	0.X	±
Eng	J.DE BRUIJN	2008-08-05	LINEAR	0.XX	±
Chr	P.POORTER	2008-12-18	0° ±°	0.XXX	±
Appr	J.DE BRUIJN	2008-12-18	Product family	-	Spec ref -
		BOARD CONNECTOR ASS'Y		dwg no	10089872
		POWER PROFILE PLUS, BOARD CONN.			Rev. E
catalog no		-		CUSTOMER COPY	sheet 2 of 4



Copyright FCI.

PRODUCT NUMBER
APPLICATION FOR 10089872-101LF

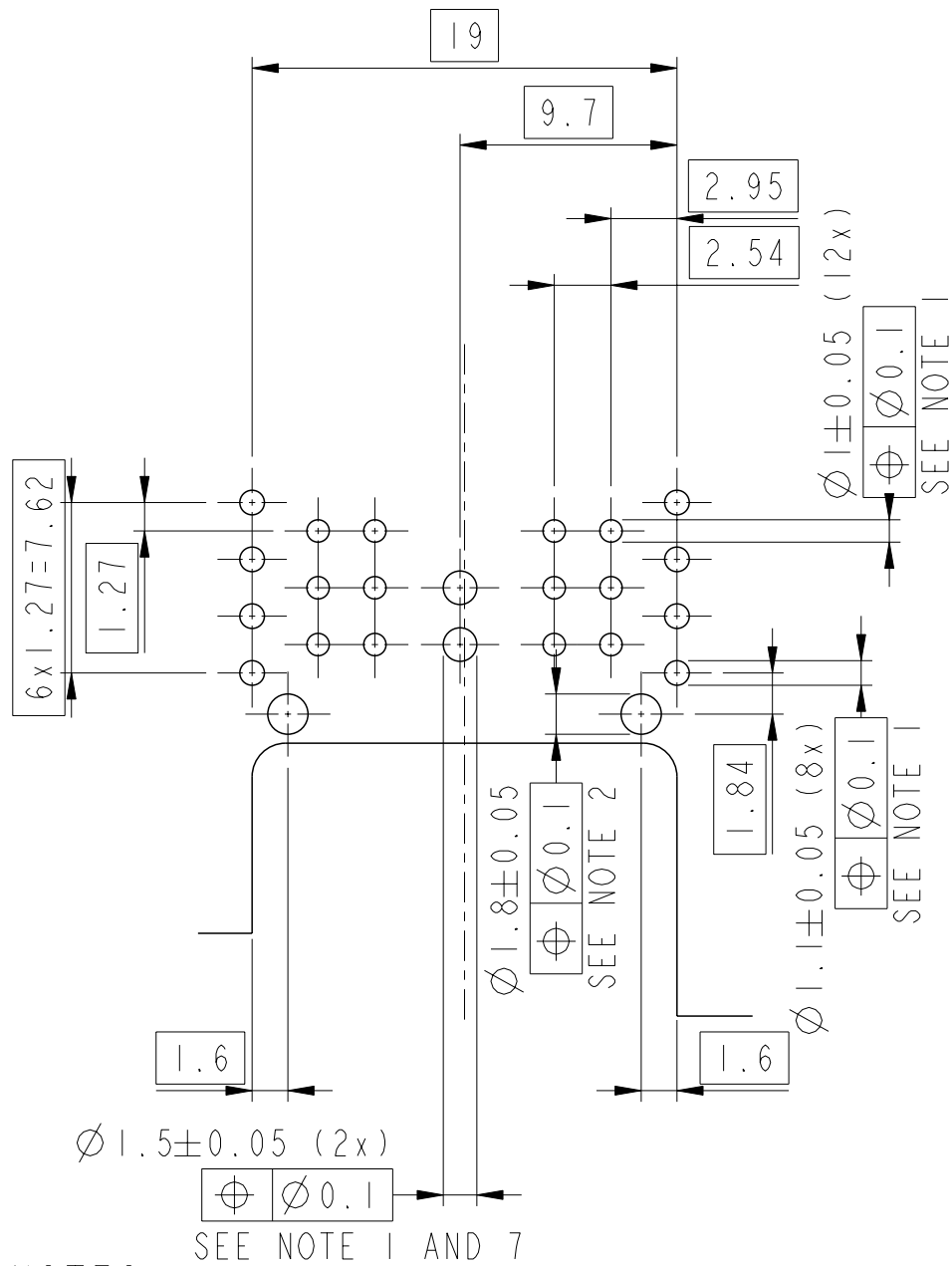


4	OUTER FRONT PANEL
3	INNER FRONT PANEL
2	PCB
1	BOARD CONNECTOR
NO	PART NAME

www.fci.com		surface - ✓ ISO 1302	tolerance std ISO 406 ISO 1101	projection mm
TOLERANCES UNLESS OTHERWISE SPECIFIED				size A3
Dr	J.DE BRUIJN	2008-08-05	ANGULAR	Scale 3:1
Eng	J.DE BRUIJN	2008-08-05	LINEAR	ECN H10-0028
Chr	P.POORTER	2008-12-18	0° ±°	Spec ref -
Appr	J.DE BRUIJN	2008-12-18	Product family	-
FCi PwrProfile+ Board Connector Assembly		dwg no	10089872	
Shielded PIP Version		Rev.	E	
catalog no		CUSTOMER COPY	sheet 3 of 4	

PCB LAYOUT: HOLE PATTERN

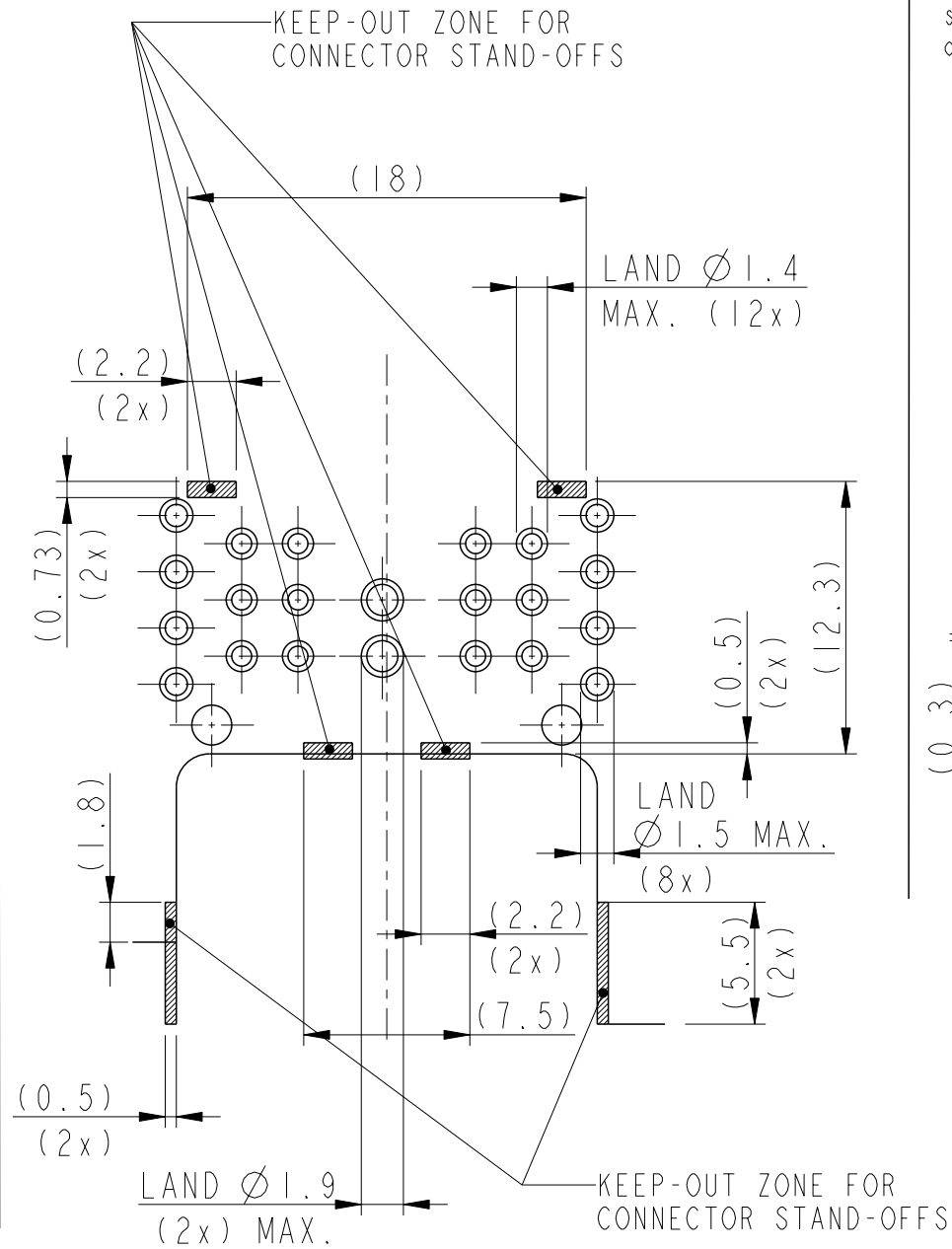
PCB thickness 1.6 - 2.4 mm.



- NOTES:
- HOLE DIAMETER INCLUDES Cu PLATING
 - UNPLATED HOLE
 - PRODUCT SPECIFICATION: GS-12-594
 - PERFORMANCE BASED CONTACT FINISH ACCORDING TO GS-12-594, SECTION 4.3
 - FLAMMABILITY CLASS: UL 94-V0
 - RoHS COMPLIANT.
 - ONLY WHEN USING PARTNUMBER 10089872-101LF

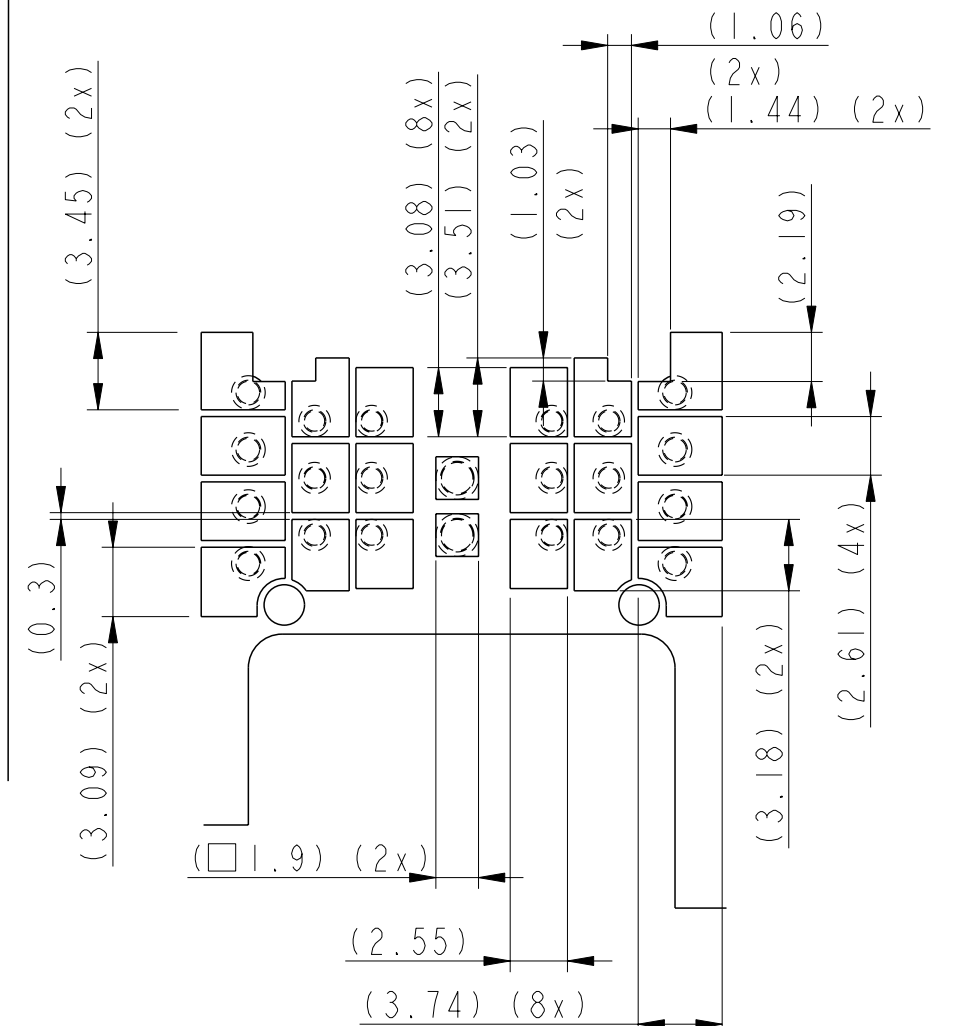
PCB LAYOUT: PLATING

Plating thickness must be constant over the connector area.



PCB LAYOUT : SOLDER PASTE

Assumed stencil thickness 0.10 mm (above copper tracks). The solder content in the paste should be sufficient, typically 50% volume percentage. The solder tail, PCB, stencil and application process determine the solder result. The squeegee process (angle, speed, pressure, material and number of cycles) must be optimized, so that sufficient solder is available.



www.fci.com		surface - ✓	tolerance std	projection	mm
		ISO 1302	ISO 406 ISO 1101		
TOLERANCES UNLESS OTHERWISE SPECIFIED					
Dr	J.DE BRUIJN	2008-08-05	ANGULAR	0.X	±
Eng	J.DE BRUIJN	2008-08-05	LINEAR	0.XX	±
Chr	P.POORTER	2008-12-18	0° ±°	0.XXX	±
Appr	J.DE BRUIJN	2008-12-18	Product family	-	Spec ref -
		title BOARD CONNECTOR ASS'Y		dwg no 10089872	
		POWER PROFILE PLUS, BOARD CONN.		Rev. E	
catalog no		-		CUSTOMER COPY sheet 4 of 4	



Copyright FCI.