

1

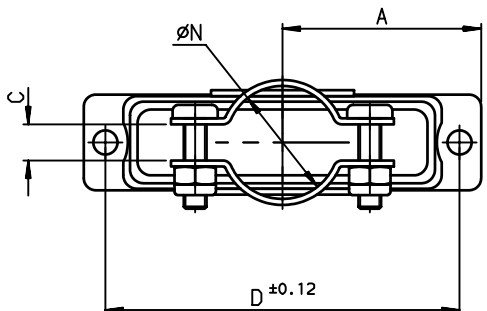
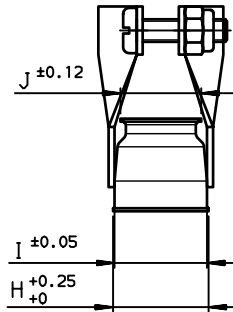
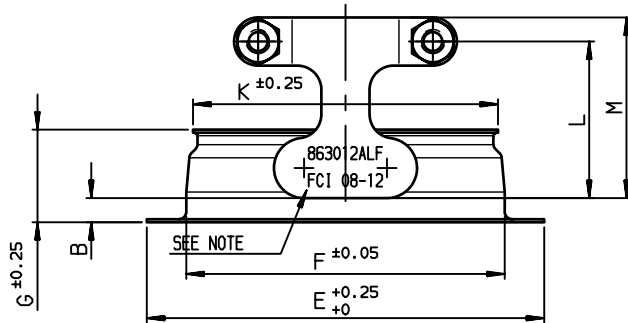
2

3

4

Dimensions are in millimeters

Shell size	PART NUMBER	PART NUMBER	A	B	C	D	E	F	G	H	I	J	K	L	M	ØN
E	863010LF	863010ASP206LF	15.27	2.4	2.4	24.99	30.55	20.21	12.3	12.7	12.28	10.74	18.6	20.8	24	8
A	863011LF	863011ASP206LF	19.44	2.4	3.2	33.32	38.89	28.55	12.3	12.7	12.28	10.74	27	20.8	24	10
B	863012LF	863012ASP206LF	26.39	3.2	4.75	47.04	52.78	42.29	12.3	12.7	12.28	10.74	40.5	20.8	24	15
C	863013LF	863013ASP206LF	34.53	3.2	6.35	63.50	69.06	58.75	12.3	12.7	12.28	10.74	56.96	20.8	24	18
D	863014LF	863014ASP206LF	33.34	3.2	4.75	61.11	66.67	56.36	12.3	15.4	15.15	13.02	55.03	20.8	24	20.6
	packaging : 100 pieces	packaging : 1 piece														



NOTES

- MATERIAL : STEEL
- CORROSION RESISTANCE : 48 HOURS EXPOSURE TO SALT SPRAY
- MARQUAGE REFERENCES SP206:
- REFERENCE SANS SP206+FCI et code annee semaine

NOTE1:RoHS INFORMATIONS

- The "LF" product meets European union Directives and other country regulations as described in G5-22-008.
- The product is not intended to be exposed to a manufacturing solder process.
- Plating: Zinc Cr3+, white color.
- Packaging spec: see G5-14-920.

European Views

www.fciconnect.com		surface ISO 1302 ✓	tolerance std ISO 406 ISO 1101	projection mm
TOLERANCES UNLESS OTHERWISE SPECIFIED				
ANGULAR	LINEAR	0.X	±0.1	size A3
0.XX' ±2'		0.XX	±0.1	Scale 1.5
		0.XXX	±0.1	ECN LS08-0117
Dr	GOISNARD	2006/01/12	Product family	D-SUB Spec ref -
Eng	PESSON	2008/04/29		
Chr	LEGARE	2006/01/12		
Appr	LEGARE	2006/01/12		
FCJ		title METAL HOOD WITH CLAMP STRAIGHT EXIT		Rev. C
catalog no		-		dwg no C01-8655-1654
		CUSTOMER		sheet 1 of 1

rev	ecn no	dr	date
A	LS05-0123	LGO	2006/01/12
B	LS06-0095	LGO	2006/06/24
C	LS08-0117	MPE	2008/04/29
-	-	-	-
-	-	-	-
-	-	-	-
-	-	-	-

Copyright FCI. FCJ

1

2

3

4