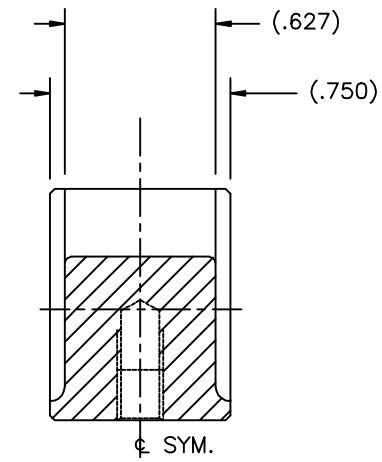
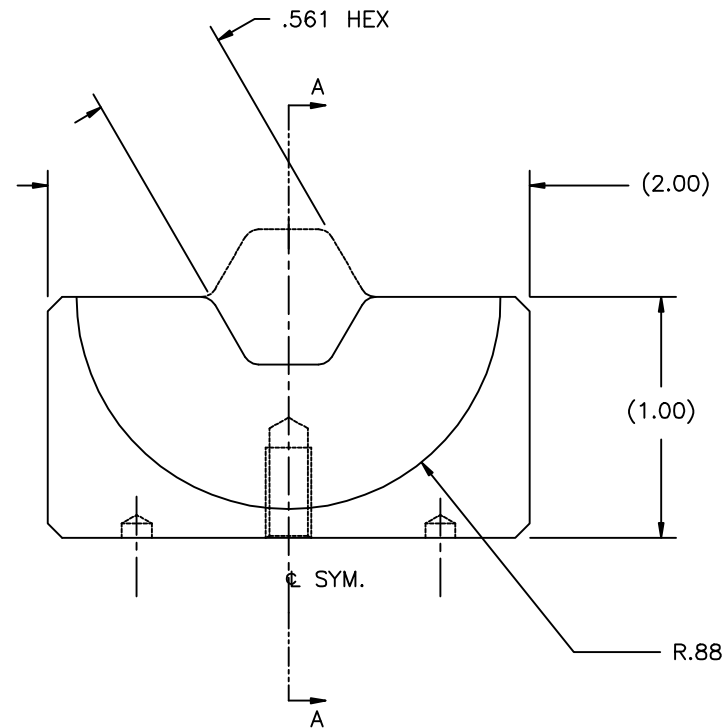
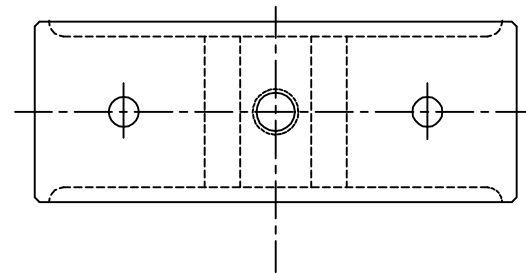
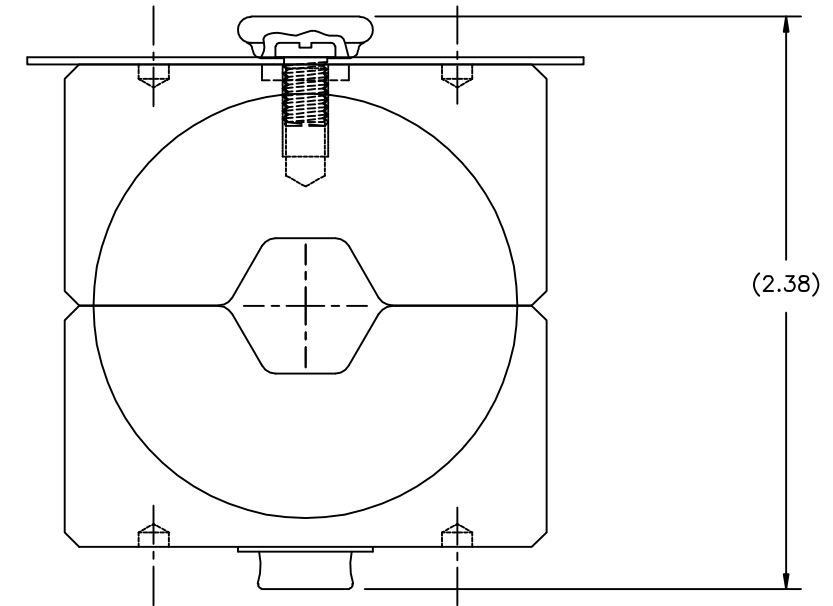


**UNCONTROLLED DOCUMENT
WILL NOT BE UPDATED**



SECTION A-A



- 3. REMOVE RETAINER PLATE WHEN USED IN TBM 12 HEAD.
 - 2. TO BE USED WITH THOMAS AND BETTS HEAD # 13642 OR TBM 12 HEAD TO CRIMP TERMINALS PER BAC 5162-7.
- NOTES: 1. THIS IS AN AUTOCAD DRAWING DO NOT CHANGE MANUALLY.

<p>THESE DRAWINGS, SPECIFICATIONS OR OTHER DATA ARE AND REMAIN THE PROPERTY OF ASTRO TOOL CORP. AND MUST BE RETURNED UPON REQUEST. THEY CONTAIN INFORMATION OWNED AND/OR DEVELOPED BY ASTRO AT ITS OWN PRIVATE EXPENSE AND MAY NOT BE USED, DUPLICATED OR DISCLOSED TO OTHERS, IN WHOLE OR PART FOR DESIGN, MANUFACTURE OR PROCUREMENT WITHOUT THE WRITTEN PERMISSION OF ASTRO TOOL CORP. EACH AND EVERY TIME.</p>				<p>SCALE: N.T.S.</p> <p>DWN BY: DYO</p> <p>DATE: 02-03-15</p> <p>APPROVED:</p>	<p>UNLESS OTHERWISE SPECIFIED: DECIMALS: .XXX ± .005 .XX ± .010 .X ± .030</p> <p>ANGLES: ± 1°</p>	<p>ASTRO TOOL CORP. 21615 S.W. TUALATIN VALLEY HWY., BEAVERTON OR 97006</p> <p>DESCRIPTION: ENVELOPE DRAWING: ST2354-16 SWAGING TOOL</p> <p>PART NO. C ST2354-16-ENV</p>	
REV.	DESCRIPTION	BY	DATE	APR.			
A	NEW RELEASE	DYO	02-03-15	ADI.G			