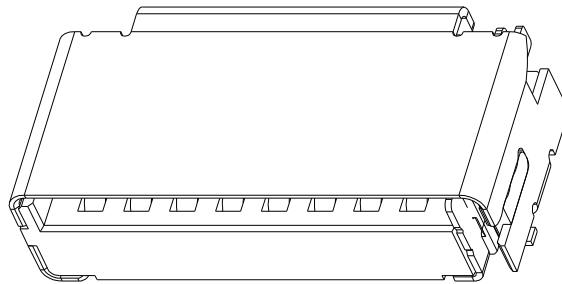
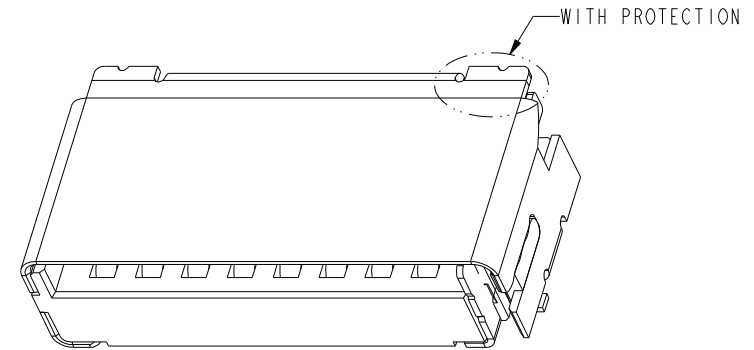


PRODUCT NO	MOTOROLA P/N	DIM A	DIM B	DIM C	DIM D	DIM E	DIM F	REMARK
10067099-100LF	3971730C03	3.05MM	1.85MM	3.40MM	1.00MM	1.20MM	3.05MM	NO PROTECTION
10067099-200LF	3971730C02	2.65MM	1.45MM	3.50MM	0.90MM	1.00MM	2.95MM	NO PROTECTION
10067099-400LF	3971730C03	3.05MM	1.85MM	3.40MM	1.00MM	1.20MM	3.05MM	WITH PROTECTION
10067099-500LF	3971730C02	2.65MM	1.45MM	3.50MM	0.90MM	1.00MM	2.95MM	WITH PROTECTION



10067099-100LF/200LF



10067099-400LF/500LF



NOTES:

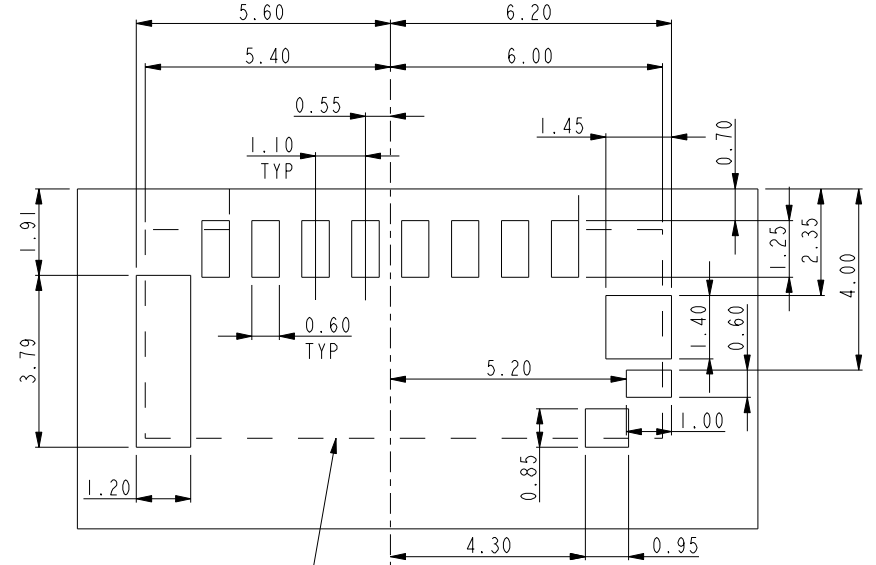
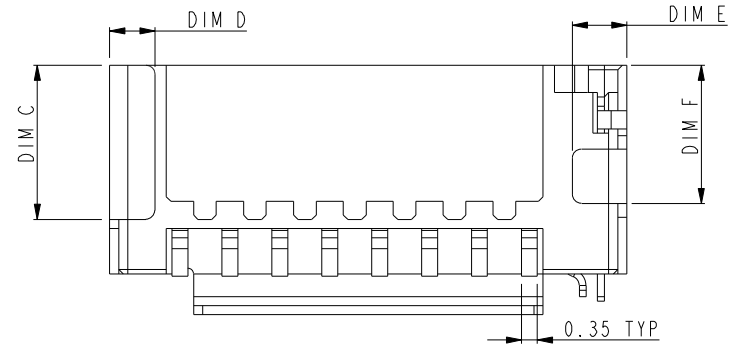
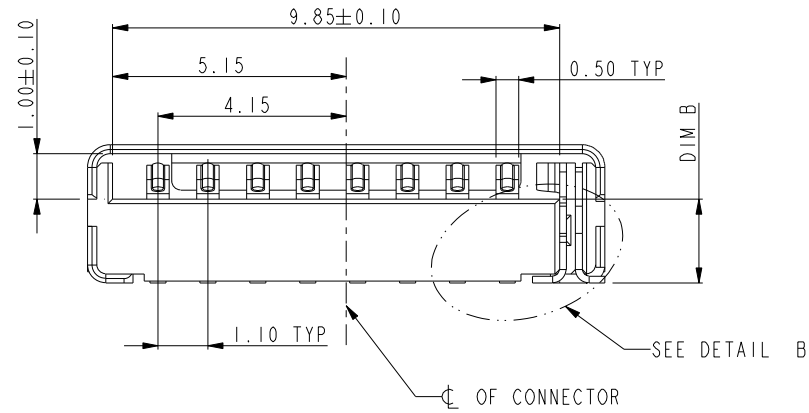
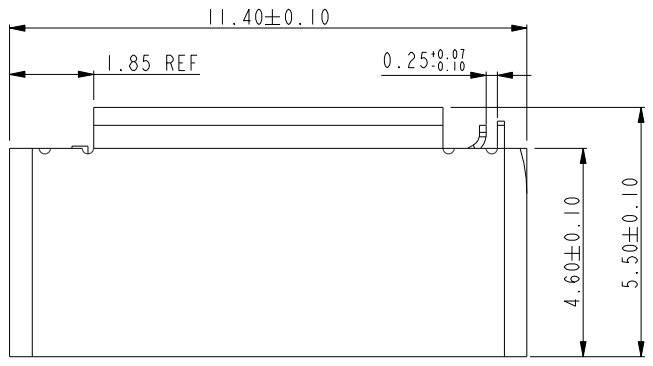
- MATERIAL:
HOUSING: 30% G/F LCP, UL 94V-0, COLOR: BLACK.
CONTACT & DETECT PIN: COPPER ALLOY, THICKNESS=0.15MM.
CONTACT PLATING: 50u" MIN. OF Ni UNDERPLATE, GOLD FLASH OVER ALL, CONTACT AREA PLATING 30u" GOLD.
DETECT PIN PLATING: 50u" MIN. OF Ni UNDERPLATE, GOLD FLASH ON CONTACT AREA, TIN PLATED ON SOLDER AREA.
BRACKET: STAINLESS STEEL, THICKNESS=0.20MM, GOLD FLASH ON SOLDER AREA.
- PRODUCT PERFORMANCE SPEC. PER GS-12-451.
- PACKAGE SPEC. PER GS-14-1162.
- "■" REPRESENT CRITICAL DIMS AND NEED TO MEET $C_{pk} > 1.5$
- THIS PRODUCT IS RoHS COMPLIANT, AND MEETS EUROPEAN UNION DIRECTIVES AND OTHER COUNTRY REGULATIONS AS PER GS-22-008.
- A SYMBOL WILL BE NEXT TO ANY DIMENSION, VIEW OR NOTE WHICH HAS BEEN MODIFIED WITH CURRENT DRAWING VERSION.

rev	ecn no	dr	date
A	DG07-0087	DT	2007.03.15
B	DG07-0098	DT	2007.04.04
C	DG08-0005	SH	2008.01.04
D	DG08-0339	SH	2008.12.04
E	DG10-0457	SM	2010.12.21
F	DG10-0462	SM	2010.12.28
G	DG11-0034	SM	2011.02.11

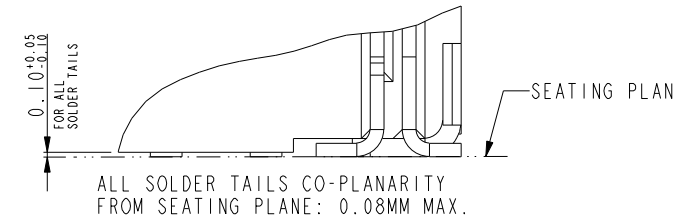
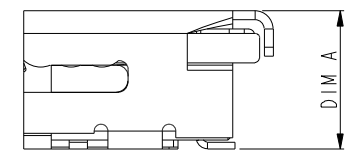
www.fciconnect.com		surface <input checked="" type="checkbox"/>	tolerance std	projection	MM
		TOLERANCES UNLESS OTHERWISE SPECIFIED			
Dr	DAVID TENG	2007-02-12	ANGULAR	size	A4
Eng	DAVID TENG	2007-02-12	LINEAR	Scale	1.000
Chr	PAUL WANG	2007-02-12	0° ±2°	ECN	DG11-0034
Appr	Joseph Hsia	2007-02-12	Product family Mobile I/O		Spec ref
		title		dwg no	Rev.
		TFLASH CONNECTOR ASSEMBLY		10067099	G
		TFLASH CONNECTOR WITH CARD DETECTING			
catalog no		10067099		CUSTOMER	sheet 1 of 3

PRODUCT NO	MOTOROLA P/N	DIM A	DIM B	DIM C	DIM D	DIM E	DIM F	REMARK
10067099-100LF	3971730C03	3.05MM	1.85MM	3.40MM	1.00MM	1.20MM	3.05MM	NO PROTECTION
10067099-200LF	3971730C02	2.65MM	1.45MM	3.50MM	0.90MM	1.00MM	2.95MM	NO PROTECTION

A
B
C
D



CONNECTOR PROFILE
RECOMMENDED PCB LAYOUT



DETAIL B
SCALE 12.000

TOLERANCES UNLESS OTHERWISE SPECIFIED		
LINEAR	0.X	±0.30
	0.XX	±0.15
ANGULAR	0.XXX	±0.08
	0°	±2°

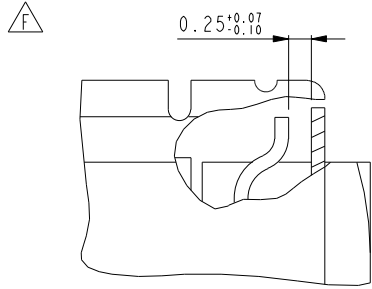
	title TFLASH CONNECTOR ASSEMBLY TFLASH CONNECTOR WITH CARD DETECTING	dwg no 10067099	Rev. G
	catalog no 10067099	CUSTOMER	sheet 2 of 3

REV F - 2006-04-17

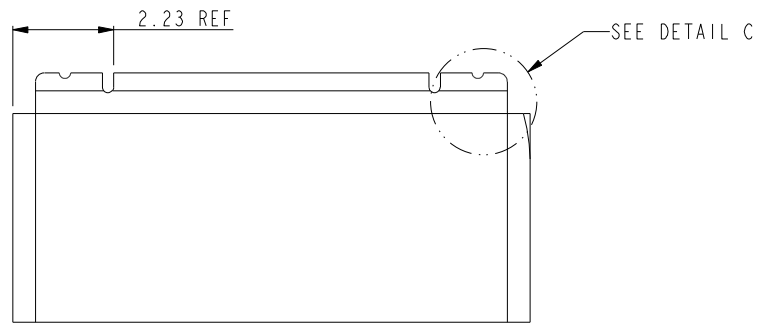


Copyright FCI.

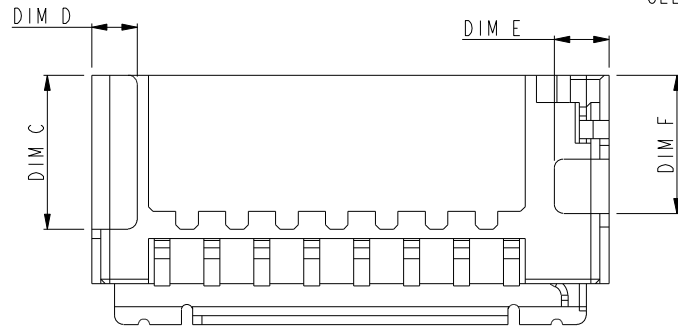
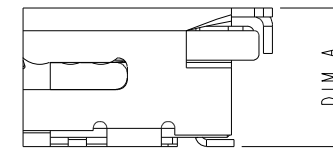
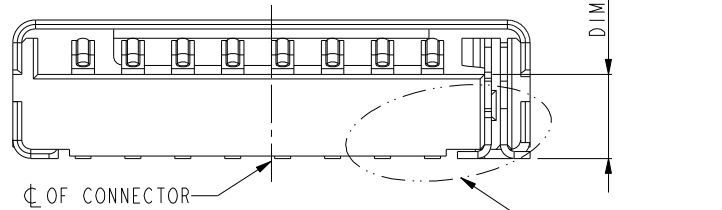
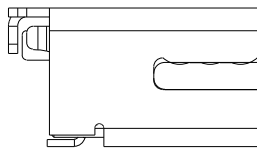
PRODUCT NO	MOTOROLA P/N	DIM A	DIM B	DIM C	DIM D	DIM E	DIM F	REMARK
10067099-400LF	3971730C03	3.05MM	1.85MM	3.40MM	1.00MM	1.20MM	3.05MM	WITH PROTECTION
10067099-500LF	3971730C02	2.65MM	1.45MM	3.50MM	0.90MM	1.00MM	2.95MM	WITH PROTECTION



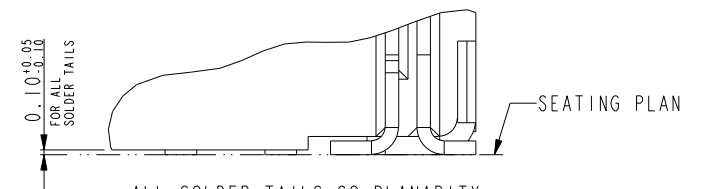
DETAIL C
SCALE 12.000



NOTE:
1. TOLERANCE FOR PCB LAYOUT: $\pm 0.05\text{MM}$.



SCALE 6.000



ALL SOLDER TAILS CO-PLANARITY
FROM SEATING PLANE: 0.08MM MAX.

DETAIL A
SCALE 12.000

FOR THE OTHER DIMENSIONS
ARE THE SAME AS -100LF



Copyright FCI.

	title	TFLASH CONNECTOR ASSEMBLY	dwg no	10067099	Rev.	G
		TFLASH CONNECTOR WITH CARD DETECTING				
	catalog no	10067099	CUSTOMER	sheet 3 of 3		