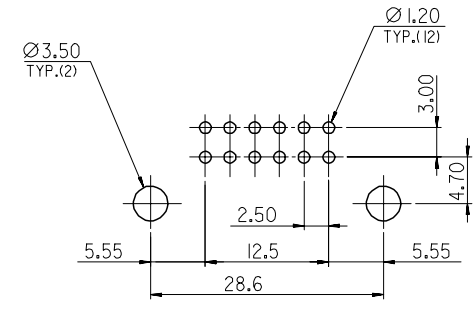
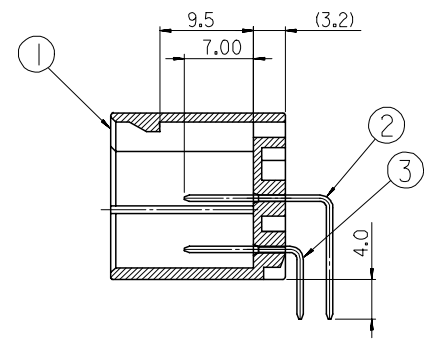
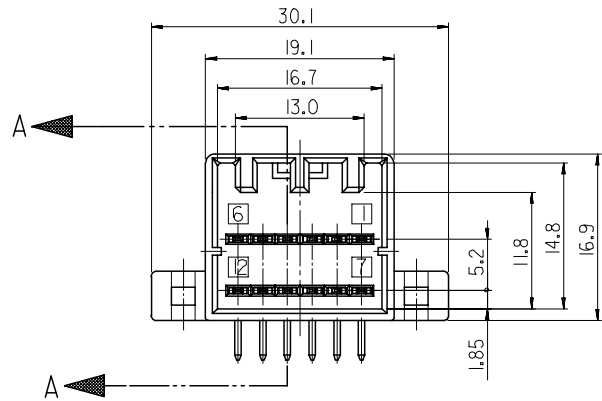


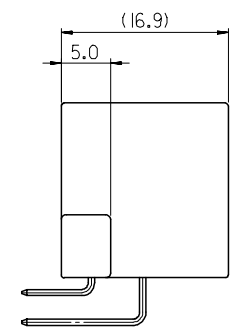
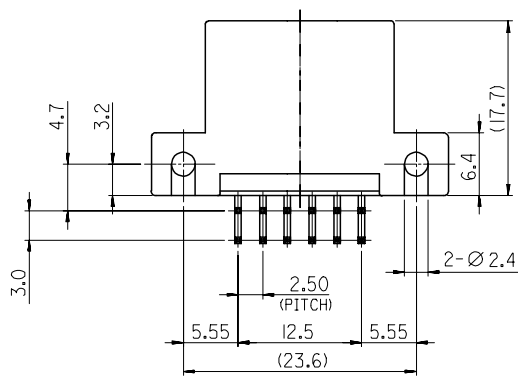
DO NOT SCALE DRAWING DIMENSION IN METRIC  
 PROJECT NO.  
 SIMILAR ITEM  
 DWG. NO. SD-68145-312

NO.	PART NO.	COLOR
1	68145-1221	BLACK
2	68145-1225	GRAY
3	68145-1226	WHITE



RECOMMENED P.C.B HOLE DIM.(MOUNT SIDE)

SECTION A-A



NOTES

1. APPLICABLE FEMALE HOUSING : 64002-121\*

NO.	DESCRIPTION	MATERIAL	REMARK
①	HOUSING	PBT, G/F 15%	UL94HB
②	PIN(L)	BRASS	PRE-TIN PLATED
③	PIN(S)		

ADDED OF PART EC NO. KOR2006-0147 DRWN:EOJKIM 06/06/01 CHK:BC YOON 06/06/01 APPR:SHLCHOI 06/06/01	QUALITY SYMBOLS MAJOR CRITICAL	GENERAL TOLERANCES: (UNLESS SPECIFIED)		SCALE 2:1	DESIGN UNITS <input checked="" type="checkbox"/> mm <input type="checkbox"/> INCH	THIRD ANGLE PROJECTION	DIMENSIONS: <input type="checkbox"/> mm <input type="checkbox"/> INCH <input type="checkbox"/> mm <input checked="" type="checkbox"/> mm ONLY	SHT REV	
		4 PLACES ±0.    ±.	DRAWN BY & DATE B.C.YOON 02/07/12	TITLE: .040 WIRE TO BOARD CONNECTOR 12P HEADER ASS'Y-R/A(HZT)					
		3 PLACES ±0.    ±.	CHECKED BY & DATE Y.SIK.KIM 02/07/12						
		2 PLACES ±0.25    ±.	APPROVED BY & DATE C.W.LEE 02/07/12	MOLEX INCORPORATED					
1 PLACE ±0.30    ±.	CAD FILENAME S6814512D.DGN	MATERIAL NO. SEE TABLE	DRAWING NO. SD-68145-312				SHEET NO. 1 OF 1		
REV	DESCRIPTION	ANGLAR: ± 1 °		DRAFT WHERE APPLICABLE MUST REMAIN WITHIN DIMENSIONS			THIS DRAWING CONTAINS INFORMATION THAT IS PROPRIETARY TO MOLEX INCORPORATED AND SHOULD NOT BE USED WITHOUT WRITTEN PERMISSION.		SIZE B

