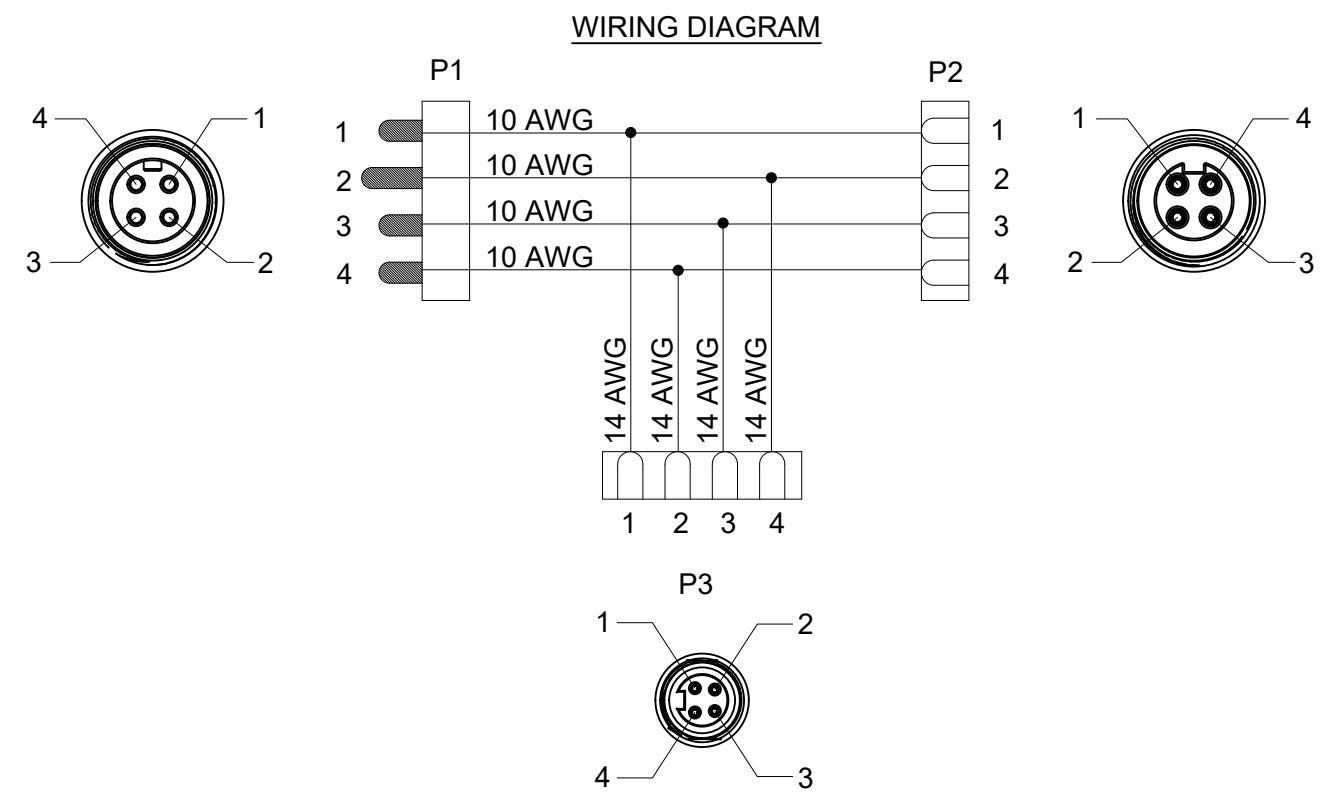
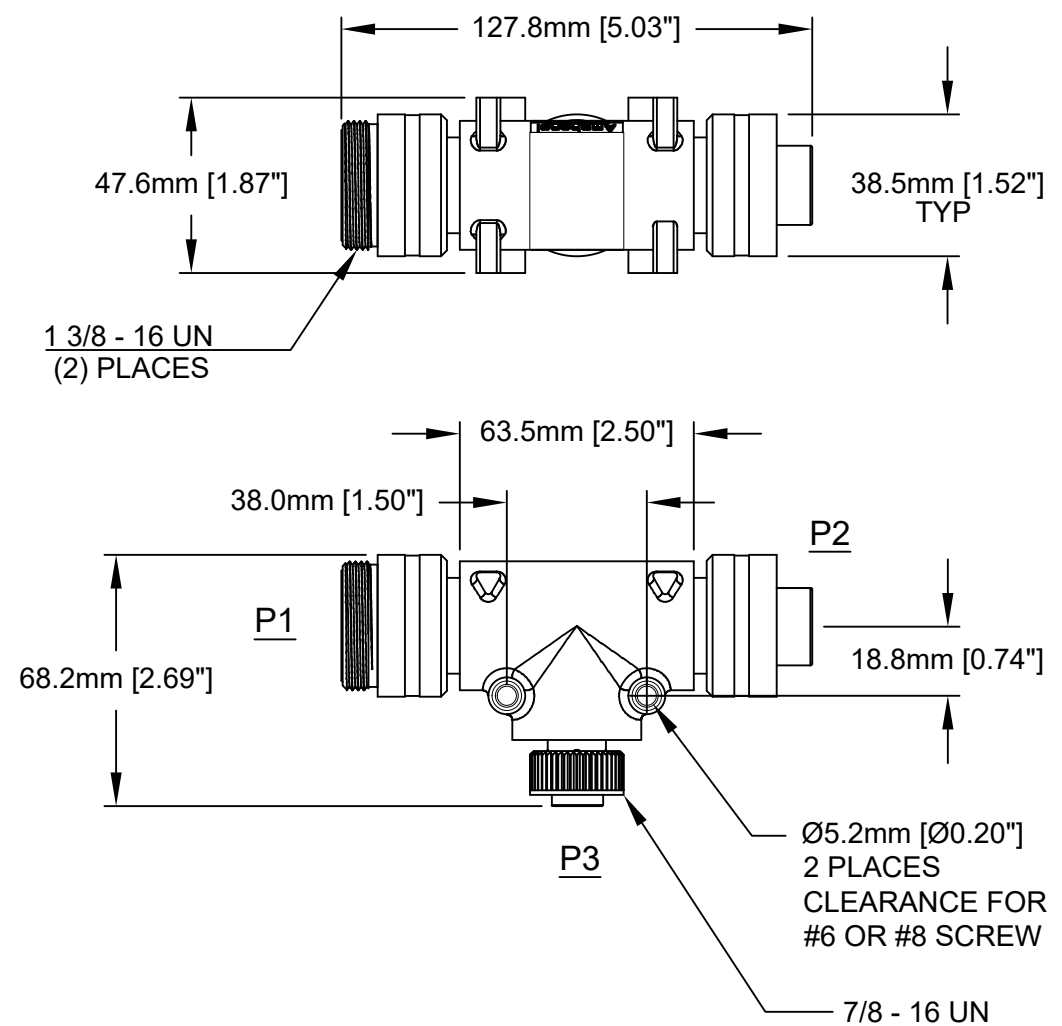
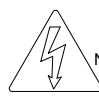



REVISIONS					
REV	ECO	DESCRIPTION	DATE	BY	APPR
A1	-	TECHNICAL DATA SHEET RELEASE	12-MAY-14	KMM	RFC
B1	-	REVISED THE WIRING DIAGRAM	16-MAY-18	MRF	JB



**TECHNICAL DATA:**

- MATERIALS:**  
 COUPLING NUT: MACHINED ALUMINUM, ANODIZED  
 INSULATION INSERT: THERMOPLASTIC, UL 94/V-0  
 CONTACT: GOLD FLASH PLATING OVER COPPER ALLOY  
 OVERMOLD MATERIAL: THERMOPLASTIC COLOR: BLACK  
 CONDUCTOR INSULATION: PVC
- ELECTRICAL DATA:**  
 CURRENT (MAX): 15A  
 VOLTAGE (MAX): 600V AC/DC  
 INSULATION RESISTANCE (MIN): 5000M OHMS  
 DIELECTRIC TEST VOLTAGE: 2200V  
 SHORT CIRCUIT AMPERAGE RATING: 65kA - BREAKERS AND FUSES
- MECHANICAL DATA:**  
 TEMPERATURE RANGE: -40°C TO 90°C  
 PROTECTION: IP67 (MATED CONDITION)  
 MATING CYCLES: >500  
 VIBRATION RESISTANCE PER MIL-STD-202 METHOD 204  
 THERMAL SHOCK PER MIL-STD-202 METHOD 207  
 48 HOUR SALT SPRAY PER MIL-STD-202 METHOD 101
- RoHS COMPLIANT**
- UL 2237 LISTED ASSEMBLY**  
 UL FILE NUMBERS: E339703


 Risk of Electrical Shock  
 Do Not Disconnect Under Load.  
 Risque de chocs électriques  
 Ne pas débrancher sous tension.  
**WARNING**

QUANTITY	PART NUMBER	DESCRIPTION	ITEM																					
<b>MATERIALS LIST</b>																								
<small>UNLESS OTHERWISE SPECIFIED</small> 1) All dimensions are in metric(mm). 2) Tolerances are as follows: 1 PL DEC ±0.30 2 PL DEC ±0.15 3 PL DEC ±0.08 Fractions ±1/64 Angles ±1° 3) Note reference = 		<table border="1"> <thead> <tr> <th>SIGNATURES</th> <th>DATE</th> </tr> </thead> <tbody> <tr> <td>DRAWN: KMM</td> <td>12-MAY-14</td> </tr> <tr> <td>CHECKED: MRF</td> <td>12-MAY-14</td> </tr> <tr> <td>ENGINEER: KMM</td> <td></td> </tr> <tr> <td>APPROVAL: RFC</td> <td>12-MAY-14</td> </tr> </tbody> </table>		SIGNATURES	DATE	DRAWN: KMM	12-MAY-14	CHECKED: MRF	12-MAY-14	ENGINEER: KMM		APPROVAL: RFC	12-MAY-14											
SIGNATURES	DATE																							
DRAWN: KMM	12-MAY-14																							
CHECKED: MRF	12-MAY-14																							
ENGINEER: KMM																								
APPROVAL: RFC	12-MAY-14																							
MATERIAL SPECIFICATIONS:  PROCESS SPECIFICATIONS:  NEXT ASSY:		<table border="1"> <tr> <td colspan="3" style="text-align: center;"><h1>Amphenol</h1></td> </tr> <tr> <td colspan="3" style="text-align: center;">Sine Systems - www.sineco.com 44724 Morley Drive Clinton Township, MI 48036</td> </tr> <tr> <td colspan="3" style="text-align: center;"><b>M35 PB LITE, 4 PIN, REDUCING TEE, BLACK</b> M35 - M35 - M22</td> </tr> <tr> <td>SIZE</td> <td>TYPE</td> <td>DWG NO.</td> <td>REVISION</td> </tr> <tr> <td></td> <td style="text-align: center;"><b>C-</b></td> <td style="text-align: center;"><b>P28968</b></td> <td style="text-align: center;"><b>B1</b></td> </tr> <tr> <td colspan="2">SCALE: HALF</td> <td>C-P28968</td> <td>SHEET 1 OF 1</td> </tr> </table>		<h1>Amphenol</h1>			Sine Systems - www.sineco.com 44724 Morley Drive Clinton Township, MI 48036			<b>M35 PB LITE, 4 PIN, REDUCING TEE, BLACK</b> M35 - M35 - M22			SIZE	TYPE	DWG NO.	REVISION		<b>C-</b>	<b>P28968</b>	<b>B1</b>	SCALE: HALF		C-P28968	SHEET 1 OF 1
<h1>Amphenol</h1>																								
Sine Systems - www.sineco.com 44724 Morley Drive Clinton Township, MI 48036																								
<b>M35 PB LITE, 4 PIN, REDUCING TEE, BLACK</b> M35 - M35 - M22																								
SIZE	TYPE	DWG NO.	REVISION																					
	<b>C-</b>	<b>P28968</b>	<b>B1</b>																					
SCALE: HALF		C-P28968	SHEET 1 OF 1																					

TITLE: M35 PB LITE, 4 PIN, REDUCING TEE, BLACK  
 DWG NO: C-P28968  
 REV: B1  
 SH: 1  
 OF: 1