

IEC Appliance Inlet C14 with Line Switch 2-pole



Description

- Panel Mount /aki-electronic.cz Screw-on mounting on PCB/Panel backside with screws M3
- 2 Functions /aki-electronic.cz Appliance Inlet Protection class I , Line Switch 2-pole
- For PCB mounting

Approvals

- VDE Certificate Number: 40007009
- UL File Number: E96454
- CCC File Number: 2017180204002872

Characteristics

- Ultra-compact design
- All single elements are already wired
- Unwired versions available on request
- Line switch non-illuminated or illuminated
- Standard versions with rear-side insulation cover
- Ideal for application with high transient loads
- Suitable for use in equipment according to IEC/UL 60950

Other versions on request

- Fixing on PCB with self-tapping screws 3 mm or pre-inserted nuts M3
- Other rocker marking
- For protection class II
- Without cover

References

Alternative: version with line filter [DC22](#)

Weblinks

[pdf datasheet](#), [html-datasheet](#), [General Product Information](#), [RoHS](#), [CHINA-RoHS](#), [REACH](#), [Distributor-Stock-Check](#), [Accessories](#), [Detailed request for product](#)

Newly available variants corresponding to V-Lock mating cordset. The connector is equipped with a notch intended for use with the latching cordset. The cord latching system prevents against accidental removal of the cordset.

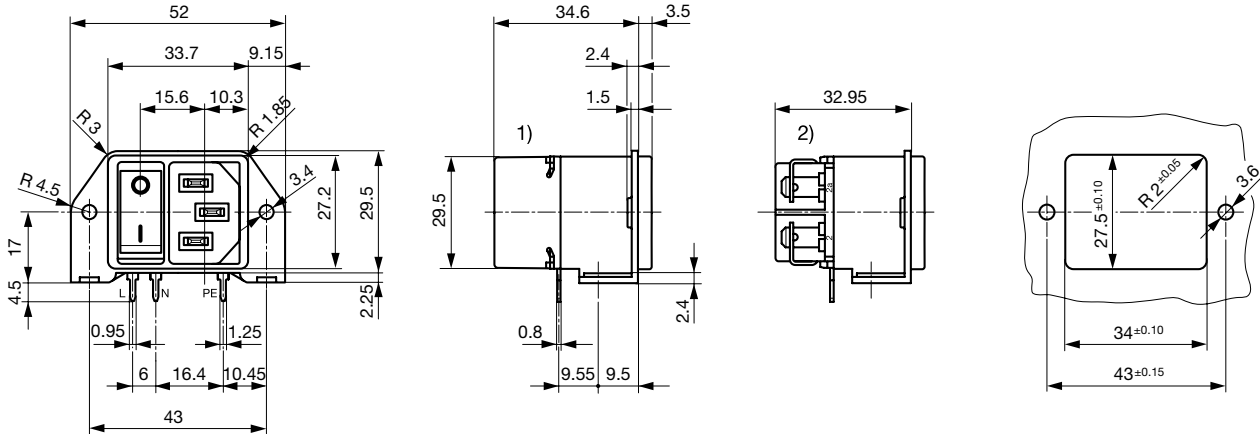
Technical Data

| | | | |
|---------------------------------|---|-------------------------|--|
| Ratings IEC | 10A / 250VAC; 50Hz | appliance inlet/-outlet | C14 acc. to IEC 60320-1, UL 498, CSA C22.2 no. 42 (for cold conditions) pin-temperature 70 °C, 10A, Protection Class I |
| Ratings UL/CSA | 11A / 125VAC; 60Hz | Line Switch | Rocker switch 2-pole, non-illuminated or illuminated, acc. to IEC 61058-1 Technical Details |
| Dielectric Strength | > 2.5kVAC between L-N > 3kVAC between L/N-PE (1 min/50Hz) | | |
| Allowable Operation Temperature | -25 °C to 70 °C | | |
| IP-Protection | from front side IP 40 acc. to IEC 60529 | | |
| Insulation cover | Suitable for appliances with protection class I acc. to IEC 61140 | | |
| Terminal | For PCB mounting ; Ground terminal / aki-electronic.cz Quick connect terminals 4.8 x 0.8 mm | | |
| Panel Thickness s | Screw /aki-electronic.cz max 3.5 mm Mounting screw torque max 0.5Nm | | |
| Material: Housing | Thermoplastic, black, UL 94V-0 | | |

Detailed information on product approvals, code requirements, usage instructions and detailed test conditions can be looked up in [General Product Information](#)

Dimensions

Screw-on mounting



1) with cover
2) without cover

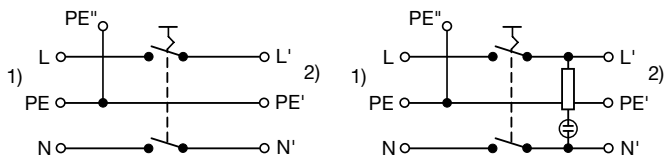


3) PE additionally as quick-connect terminal 4.8 x 0.8 mm

Diagrams

Line switch non-illuminated 2-pole

Line switch illuminated 2-pole



1) Line
2) Load

1) Line
2) Load

All Variants

| Panel mounting | Line Switch | Illumination | Color | V-Lock | Order Number |
|----------------|-------------|--------------|-------|--------|-------------------|
| Screw | 2-pole | - | - | | DC21.0021.1111 |
| Screw | 2-pole | - | - | ● | DC21.0021.1111.21 |
| Screw | 2-pole | ● | red | | DC21.0023.1111 |
| Screw | 2-pole | ● | green | | DC21.0024.1111 |

Most Popular.

Availability for all products can be searched real-time: <http://www.schurter.com/en/Stock-Check/Stock-Check-SCHURTER>

Suffix ".21" corresponds to the version with V-Lock mating cordset. The connector is equipped with a notch intended for use with the latching cordset. The cord latching system prevents against accidental removal of the cordset.

Packaging unit 40 Pcs

Accessories

Description



[Cord retaining kits](#)
Cord retaining strain relief

| | |
|--------------|-----------|
| Flat head, Z | 0888.0021 |
| Flat head, G | 4700.0007 |

Mating Outlets/Connectors

Category / Description



[Appliance Outlet Overview complete](#)

| | |
|---|------|
| IEC Appliance Outlet F, Screw-on Mounting, Front Side, Solder Terminal | 4787 |
| IEC Appliance Outlet F, Snap-in Mounting, Front Side, Solder or Quick-connect Terminal | 4788 |
| IEC Appliance Outlet F or H, Screw-on Mounting, Front Side, Solder, PCB or Quick-connect Terminal | 5091 |

[Appliance Outlet further types to DC21](#)

[Connector Overview complete](#)



| | |
|--|---------|
| 4782 Mounting: Power Cord, 3 x 1 mm ² / 3 x 18 AWG, Cable, Connector: IEC C13 | 4782 |
| 4022 Mounting: Power Supply Cord, 3 x 1.5 mm ² , Screw clamps, Connector: IEC C13 | 4022 |
| 4785 Mounting: Power Cord, 3 x 1 mm ² / 3 x 18 AWG, Cable, Connector: IEC C13 | 4785 |
| 4300-06 Mounting: Power Cord, 3 x 1 mm ² / 3 x 18 AWG, Cable, Connector: IEC C13 | 4300-06 |
| 4012 Mounting: Power Supply Cord, 3 x 1.5 mm ² , Screw clamps, Connector: IEC C13 | 4012 |

[Connector further types to DC21](#)

Mating Outlets/Connectors shuttered



[Power Cord Overview complete](#)

| | |
|---|---------|
| VAC13KS, Overview, diverse Connector IEC C13, cord end: | VAC13KS |
|---|---------|

[Power Cord further types to DC21](#)