

Mono Faders for Audio Mixers

Japan

Type: **EVANF/EVANE**

■ Features

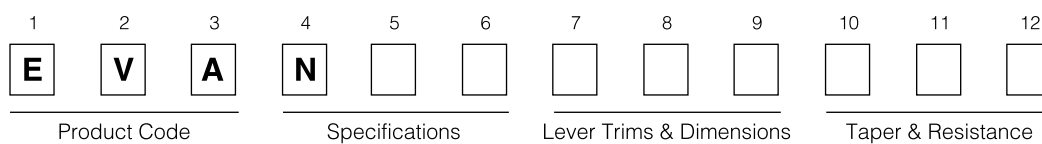
- Slim-type fader series: Width=9.0 mm, Height=8.0 mm
- Excellent cost performance available for audio mixers for amateur use

■ Recommended Applications

- Fade control for Audio Mixers (popular type)
- MTR (Multi-track recorders)
- Paper position sensors (detectors) for PPC



■ Explanation of Part Numbers



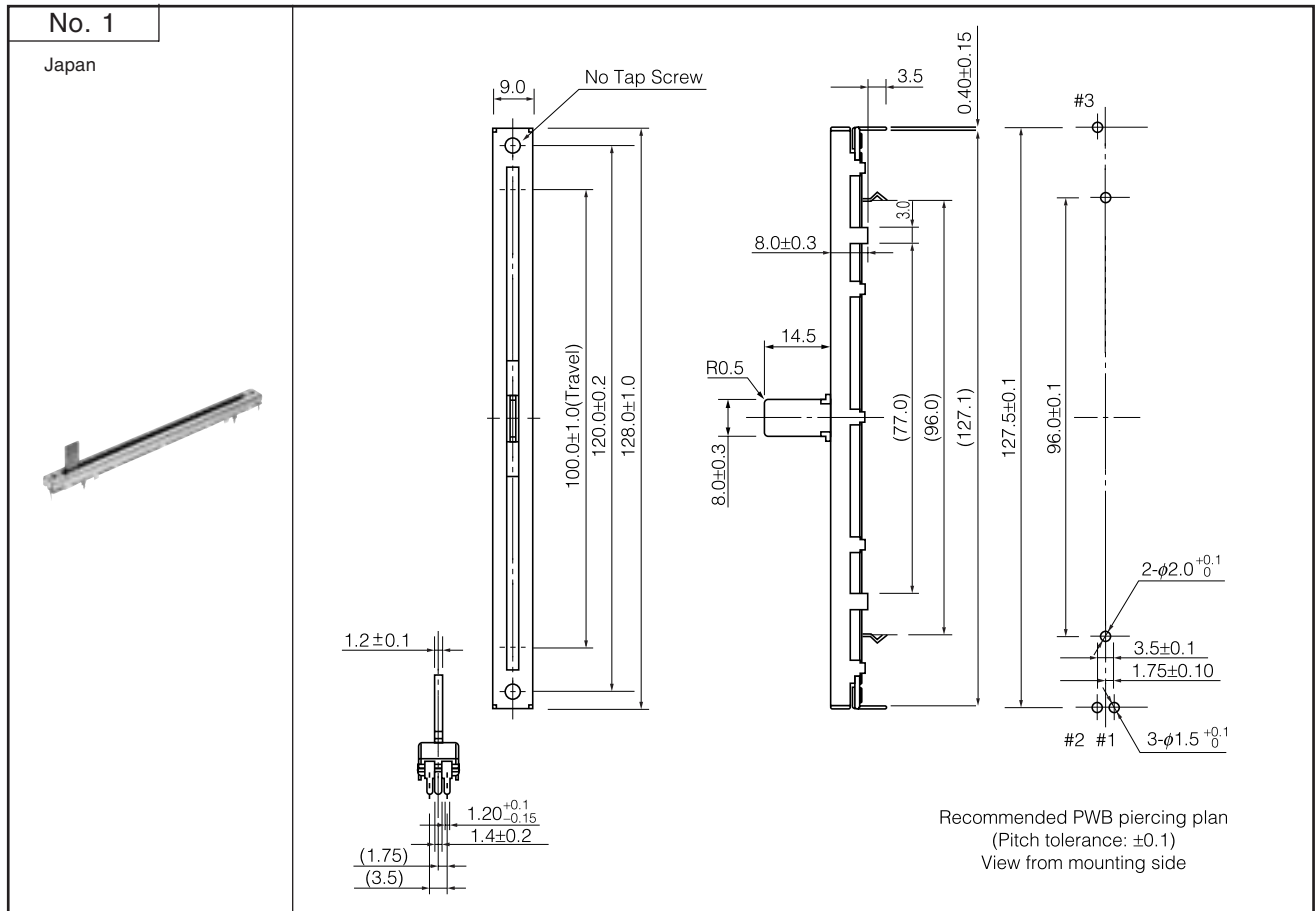
■ Major Specifications

		Taper B	Others
Power Rating	100.0 mm Type	0.5 W	0.25 W
	60.0 mm Type	0.2 W	0.1 W
	Max. Operating Voltage: 30 Vac max.		
Standard Resistance*	5 kΩ, 10 kΩ, 20 kΩ		
Taper*	A, B, D, Y		
Maximum Attenuation	100 dB min. (Except taper B)		
Operating Force	0.1 N to 1.0 N		
Operating Life	50000 cycles min.		
Minimum Quantity/Packing Unit	100 pcs. (Tray Pack)		
Quantity/Carton	500 pcs.		

Note: Customer's design for Lever Shape can be also negotiable.

■ Dimensions in mm (not to scale)

● 100.0 mm Travel, Single EVANF



● 60.0 mm Travel, Single EVANE

