

- NOTES:
 1. MATERIAL:
 A) TOP COVER : ALUMINIUM (AL)
 B) BASE : COLD ROLLED STEEL (CRS)
 C) PANEL DOOR : ALUMINIUM (AL)
 D) MOUNTING BRACKET : COLD ROLLED STEEL (CRS)
 E) 6 PAK PANEL : COLD ROLLED STEEL (CRS)
 2. FINISH: FLAT BLACK POWDER COAT.
 3. FIBER PORT ID LABEL INCLUDED.
 4. ACCESSORY KIT CONTAINING THE FOLLOWING IS PACKED IN ZIP LOCK BAG

DESCRIPTION	QTY
M3X0.5 KEP NUT	6
M5X0.8 KEP NUT	1
SCR NTS M4X0.7X8MM PAN PHL STEEL	8
FIBER MANAGEMENT RING	4
Copper post connector	1
Cable tie 200 x 2.5 NATURAL	12
Velcro Straps 3/4"x8"	8
LABEL-FMS2 LASER WARNING	2
FIBER PORT ID. LABEL FOR HINGED DOOR, 4U ENCLOSURE	1
GLOBAL HARDWARE KIT	1
STRAIN RELIEF BRACKET	4
INSTRUCTION SHEET 4U FIBER ENCLOSURES	1
BAG PLASTIC 12 X 9	1
BAG 40UMX100X150MM ZLOCK PS10015	1
WRAP ENCLOSER MOUNTING BRACKET	1

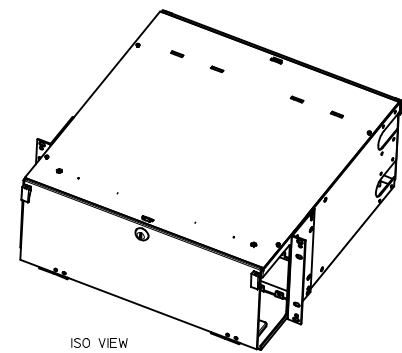
Table A

DESCRIPTION	QTY
RACK SCREW/CAGENUT/WASHER, BLACK-SET OF 4 KITS	1
MOUNTING HARDWARE KIT	1

Table B

DESCRIPTION	QTY
HDWE 12-24X1/2 PHIL PHMS-BLACK	8
WASHER BLACK .40 OD X .225 ID X .04 THK	4
BAG MINI GRP 60MM X 60MM	1

5. FIBER ENCLOSURE WITH ACCESSORY KIT IS PACKED WITHIN A BOX



ISO VIEW

PART NO. CHART	
MPN NO.	SAP NO.
RFN-00204	180660016

ENTER DESCRIPTION EC NO: M1S2013-0067 2013/05/20 DRAWN BY CHYKDRCG 2013/05/20 APPR:RCG 2013/06/06	QUALITY SYMBOLS ∇=0 ∇=0 ∇=0	GENERAL TOLERANCES (UNLESS SPECIFIED) mm INCH 4 PLACES ± --- ± --- 3 PLACES ± --- ± --- 2 PLACES ± --- ± .016 1 PLACE ± 0.40 ± --- 0 PLACE ± ±		DIMENSION STYLE MM/IN	SCALE 1:5	DESIGN UNITS METRIC	THIRD ANGLE PROJECTION	
		DRAWN BY DATE XGA JULA 2006/05/04		CHECKED BY DATE JKUMAR 2006/05/04		TITLE 4U FIBER ENCLOSURE		
		APPROVED BY DATE RGOPALAKRISH 2010/10/22		MATERIAL NO. SEE CHART		DOCUMENT NO. SD-18066-001		
		ANGULAR ±1/2° DRAFT WHERE APPLICABLE MUST REMAIN WITHIN DIMENSIONS		SIZE A1		SHEET NO. 1 OF 1		

THIS DRAWING CONTAINS INFORMATION THAT IS PROPRIETARY TO MOLEX INCORPORATED AND SHOULD NOT BE USED WITHOUT WRITTEN PERMISSION