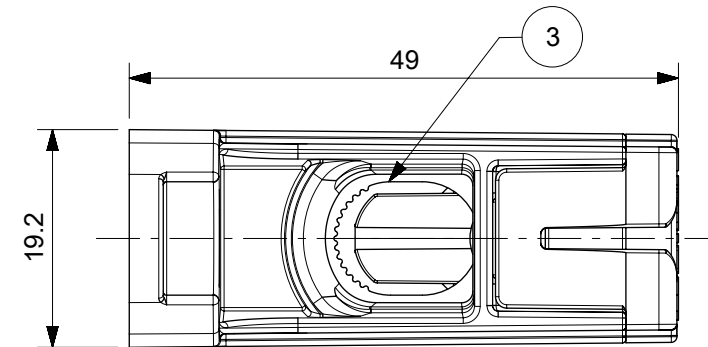
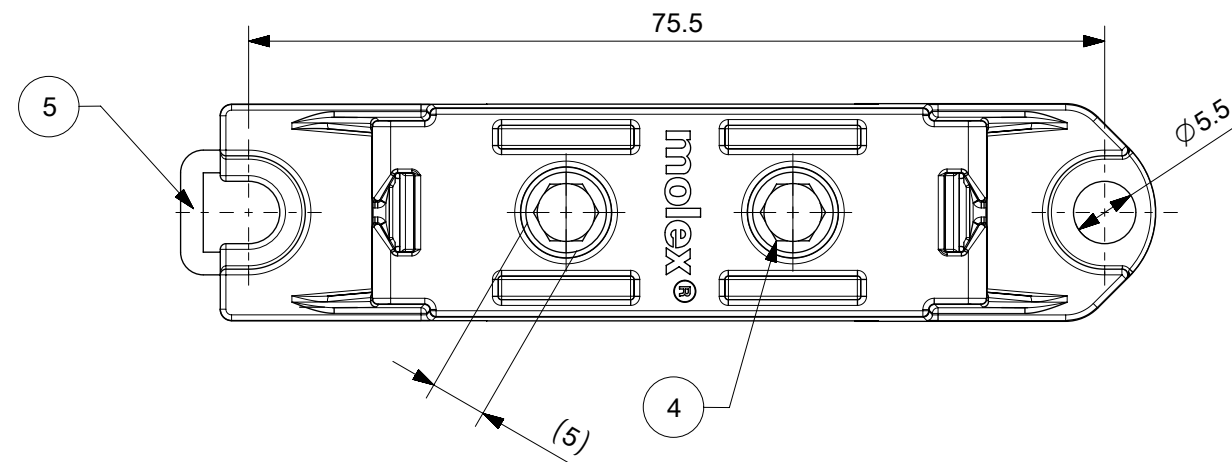
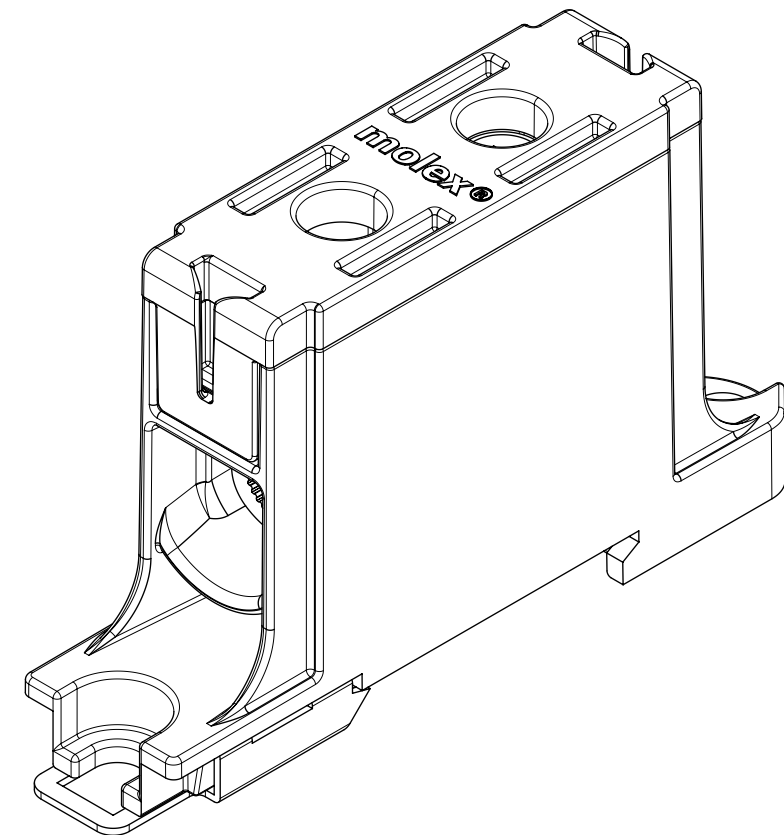
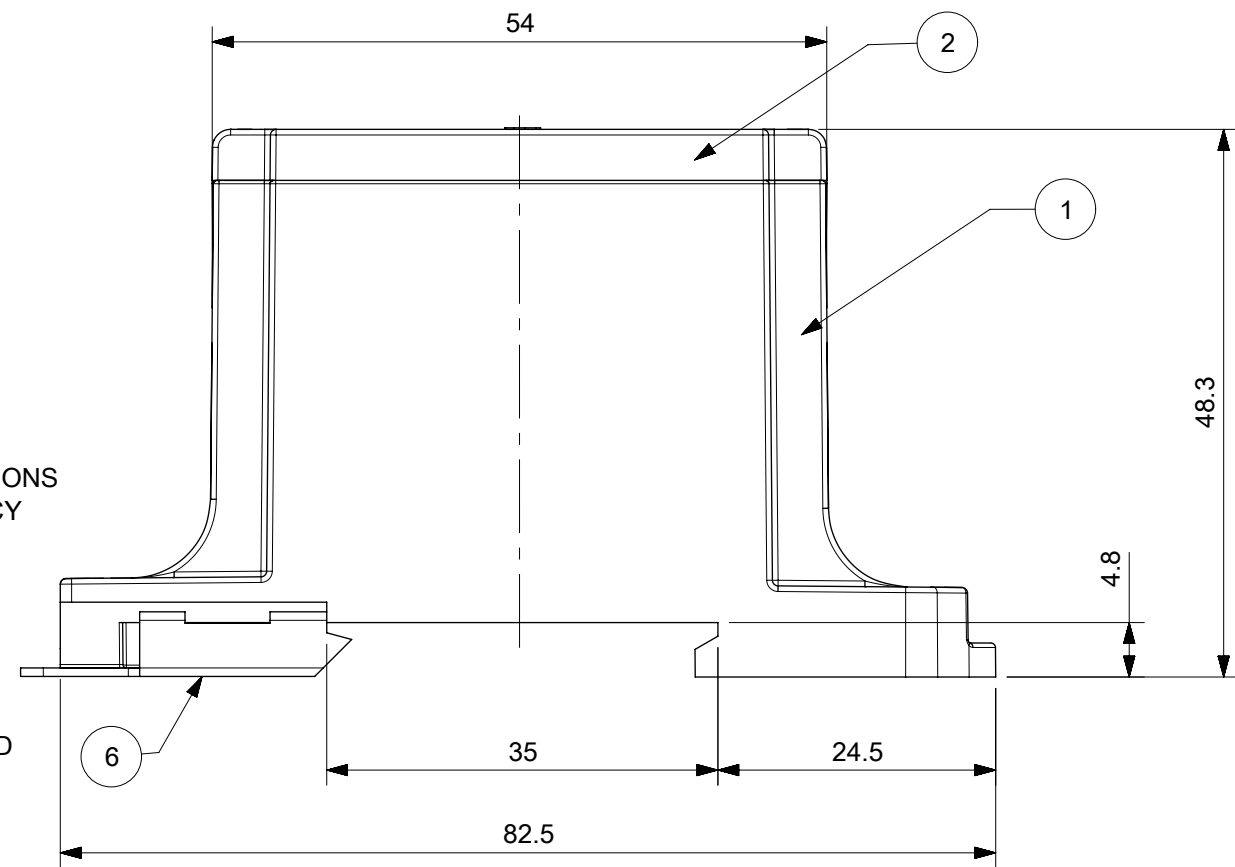


- NOTES:
1. MOUNTING TYPE: 35 mm DIN RAIL OR SCREW.
  2. VOLTAGE: 1000 V (UL).
  3. CURRENT: Cu 150A, Al 120A (UL).
  4. WIRE CROSS-SECTION RANGE, UL:  
Cu 1/0-6 AWG (13.3-53 mm<sup>2</sup>) STRANDED  
Al 1/0-6 AWG (13.3-53 mm<sup>2</sup>) STRANDED  
Cu 2 X 6 AWG (2 X 13.3 mm<sup>2</sup>) STRANDED  
Cu 3 X 8 AWG (3 X 8.3 mm<sup>2</sup>) STRANDED
  5. HEAD CAP SCREW WITH 5 mm HEXAGON SOCKET SIZE.  
USE A TOOL WITH LENGTH ALLOWING FOR A FULL SCREW ENGAGEMENT.
  6. RECOMMENDED TIGHTENING TORQUE:  
90 Lb-In (10 Nm).
  7. ALL ELECTRICAL AND MECHANICAL SPECIFICATIONS ARE PER UL1059 AS NOTED IN MOLEX UL AGENCY APPROVAL.
  8. THE SUITABILITY OF THESE TERMINALS SHALL BE DETERMINED IN THE END-USE INVESTIGATION.
  - 9 AS ENVIRONMENTAL BARRIER DIELECTRIC GREASE MAY BE PRESENT IN THE WIRING CHAMBER. ENSURE TO USE THE RECOMMENDED TIGHTNING TORQUE FOR ALL CONDUCTORS.



2016061617	MX-KE161.6	UCLP 1PL GRY/BLK 150A/1000V	GREY	BLACK
2016061615	MX-KE161.4	UCLP 1PL GRY/RED 150A/1000V	GREY	RED
2016061613	MX-KE161.2	UCLP 1PL GRY/BLU 150A/1000V	GREY	BLUE
2016061610	MX-KE161	UCLP 1PL GRY/GRY 150A/1000V	GREY	GREY
<b>MATERIAL No</b>	<b>ENGINEERING No</b>	<b>DESCRIPTION</b>	<b>HOUSING COLOR</b>	<b>COVER COLOR</b>

THIS DRAWING CONTAINS INFORMATION THAT IS PROPRIETARY TO MOLEX ELECTRONIC TECHNOLOGIES, LLC AND SHOULD NOT BE USED WITHOUT WRITTEN PERMISSION

ITEM	QTY	DESCRIPTION	MATERIAL
6	1	SPRING, LATCH	STEEL
5	1	LATCH, DIN	STEEL
4	2	SCREW, SET	ALUMINUM
3	1	CAGE	ALUMINUM
2	1	COVER	POLYAMIDE
1	1	HOUSING	POLYAMIDE

EC NO: 120665 DRWN: WLEUNG CHKD: DNGUYEN62 APPR: JFMURPHY	2017/08/14 2017/08/15 2017/08/18	GENERAL TOLERANCES (UNLESS SPECIFIED) ANGULAR TOL ± °	DIMENSION UNITS: mm SCALE: 1:1
	4 PLACES ± 3 PLACES ± 2 PLACES ± 1 PLACE ± 0 PLACES ±	SEE CHART SEE CHART SEE CHART	DRWN BY: WLEUNG DATE: 2017/08/14
	DRAFT WHERE APPLICABLE MUST REMAIN WITHIN DIMENSIONS	DRAWING SIZE: B FIRST ANGLE PROJECTION	CHK'D BY: DNGUYEN62 DATE: 2017/08/15
	RELEASE	APPR BY: JFMURPHY DATE: 2017/08/18	APPR BY: JFMURPHY DATE: 2017/08/18

<b>molex®</b>			
MX-KE161 UCLP 1PL GRY/GRY 150A/1000V			
PRODUCT CUSTOMER DRAWING			
SERIES	MATERIAL NUMBER	CUSTOMER	
201606	SEE CHART	GENERAL MARKET	
DOCUMENT NUMBER	DOC TYPE	DOC PART	SHEET NUMBER
2016061610	PSD	000	1 OF 1

TOLERANCE	>0.5=3	>3=6	>6=30	>30=120	>120=400
ISO 2768-m	±0.1	±0.1	±0.2	±0.3	±0.5

RELEASE STATUS	P1	RELEASE DATE	18.08.2017	19:46:50
----------------	----	--------------	------------	----------