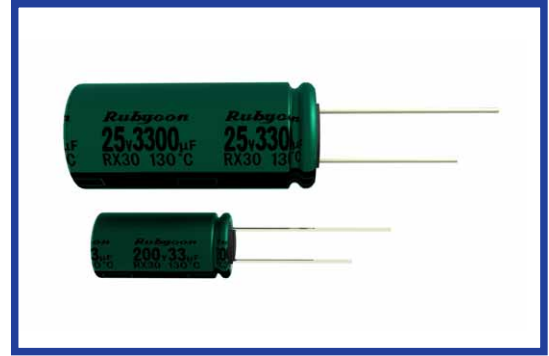


RX30 SERIES

Load Life : 130°C 1000~4000 hours

- For Automotive and LED Lighting applications.
- AEC-Q200.



◆SPECIFICATIONS

Items	Characteristics	
Category Temperature Range	-40~+130°C	-25~+130°C
Rated Voltage Range	10~100Vdc	200, 400Vdc
Capacitance Tolerance	±20% (20°C, 120Hz)	
Leakage Current(MAX)	I=0.01CV or 3μA whichever is greater. (After 2 minutes application of rated voltage)	CV≤1000
		CV>1000
		I=0.1CV+40μA (1 minute) I=0.03CV+15μA (5 minutes)
		I=0.04CV+100μA (1 minute) I=0.02CV+25μA (5 minutes)
	I=Leakage Current(μA)	C=Capacitance(μF) V=Rated Voltage(Vdc)
Dissipation Factor(MAX) (tanδ)	Rated Voltage (Vdc)	
	tanδ	
	10 16 25 35 50 63 100 200 400	(20°C, 120Hz)
	0.20 0.16 0.14 0.12 0.10 0.09 0.08 0.15 0.20	
	When capacitance is over 1000μF, tanδ shall be added 0.02 to the listed value with increase of every 1000μF.	
Endurance	After applying rated voltage with rated ripple current for specified time at 130°C, the capacitors shall meet the following requirements.	
		10~100Vdc 200, 400Vdc
	Capacitance Change	Within ±30% of the initial value. Within ±20% of the initial value.
	Dissipation Factor	Not more than 300% of the specified value. Not more than 200% of the specified value.
	Leakage Current	Not more than the specified value.
		Case Size Life Time (hrs)
		10~100Vdc 200, 400Vdc
		φD=6.3 - 1000
		φD=8, 10 2000 2000
		φD≥12.5 4000 -
Low Temperature Stability Impedance Ratio(MAX)	Rated Voltage (Vdc)	
	Z(-25°C)/Z(20°C)	
	Z(-40°C)/Z(20°C)	
	10 16 25 35 50 63 100 200 400	(120Hz)
	3 2 2 2 2 2 2 3 6	
	6 4 3 3 3 3 3 - -	

◆MULTIPLIER FOR RIPPLE CURRENT

10~100Vdc

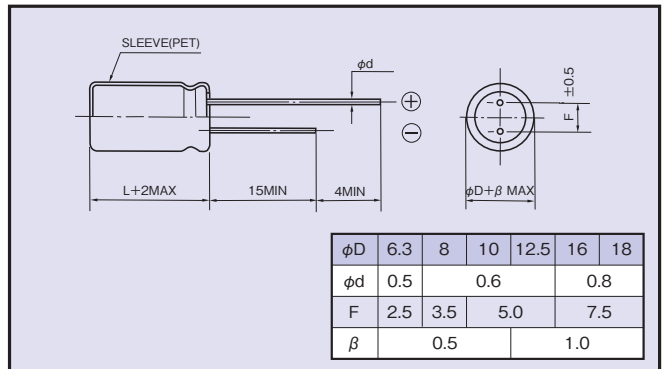
Frequency (Hz)	60(50)	120	1k	10k	100k≤	
Coefficient	4.7μF	0.35	0.42	0.60	0.80	1.00
	10~33μF	0.45	0.55	0.75	0.90	1.00
	47~330μF	0.60	0.70	0.85	0.95	1.00
	470~1500μF	0.65	0.75	0.90	0.98	1.00
	2200~4700μF	0.75	0.80	0.95	1.00	1.00

200, 400Vdc

Frequency (Hz)	120	1k	10k	100k≤	
Coefficient	1~5.6μF	0.20	0.40	0.80	1.00
	6.8~15μF	0.30	0.60	0.90	1.00
	22~33μF	0.50	0.80	0.90	1.00

◆DIMENSIONS

(mm)



◆PART NUMBER

□□□ RX30 □□□□□ M □□□ □□ D×L
 Rated Voltage Series Capacitance Capacitance Tolerance Option Lead Forming Case Size

◆OPTION

Code
PET Sleeve
Blank

◆STANDARD SIZE

Rated Voltage (Vdc)	Capacitance (μF)	Size φD×L(mm)	Rated ripple current (mA r.m.s./130°C, 100kHz)	Impedance (Ω MAX)
				20°C, 100kHz
10	330	8×11.5	360	0.22
	470	10×12.5	620	0.15
	1000	10×20	960	0.073
	2200	12.5×25	1430	0.040
	3300	16×25	1900	0.038
	4700	16×31.5	2300	0.034
16	330	8×11.5	360	0.22
	470	10×12.5	620	0.15
	1000	10×20	960	0.073
	2200	12.5×25	1430	0.040
	3300	16×31.5	2300	0.034
	4700	16×35.5	2550	0.031
25	220	8×11.5	360	0.22
	330	10×12.5	620	0.15
	470	10×16	800	0.10
	1000	12.5×20	1100	0.055
	2200	16×31.5	2300	0.034
35	100	8×11.5	360	0.22
	220	10×12.5	620	0.15
	330	10×16	800	0.10
	470	10×20	960	0.073
	1000	12.5×25	1430	0.040
	2200	16×35.5	2550	0.031
	3300	18×35.5	2800	0.028
50	4.7	8×11.5	100	0.85
	10	8×11.5	200	0.60
	22	8×11.5	260	0.35
	33	8×11.5	300	0.28
	47	8×11.5	300	0.28
	100	10×12.5	520	0.18
	220	10×20	890	0.082
	330	12.5×20	1000	0.065
	470	12.5×25	1200	0.051
	1000	16×31.5	2180	0.037
	2200	18×40	2800	0.029
63	33	8×11.5	250	0.40
	47	10×12.5	400	0.27
	100	10×16	450	0.20
	220	12.5×20	820	0.10
	330	12.5×25	1000	0.072
	470	16×25	1500	0.069
	1000	16×31.5	1850	0.056
	1500	18×40	2350	0.043
100	4.7	8×11.5	100	1.3
	10	8×11.5	200	1.0
	22	8×11.5	220	0.67
	33	10×12.5	260	0.45
	47	10×16	330	0.33
	100	12.5×20	670	0.17
	220	16×25	1100	0.13
	330	16×31.5	1300	0.10
470	18×31.5	1600	0.092	

Rated Voltage (Vdc)	Capacitance (μF)	Size φD×L(mm)	Rated ripple current (mA r.m.s./130°C, 100kHz)
8×11.5	120		
5.6	8×11.5	130	
	8×16	180	
6.8	8×11.5	130	
	8×16	180	
10	8×16	200	
	8×20	240	
15	8×16	200	
	8×20	240	
22	8×20	300	
	10×16	240	
33	10×20	320	
400	1	6.3×11	60
		8×11.5	65
	1.5	8×11.5	75
		8×16	80
	1.8	8×11.5	75
		8×16	85
	2.2	8×11.5	75
		8×16	90
	2.2	8×20	110
		8×16	95
	2.7	8×20	115
		8×16	100
	3.3	8×20	120
		8×16	125
4.7	8×20	120	
	10×16	125	
5.6	10×16	130	
	10×20	145	
6.8	10×20	150	