

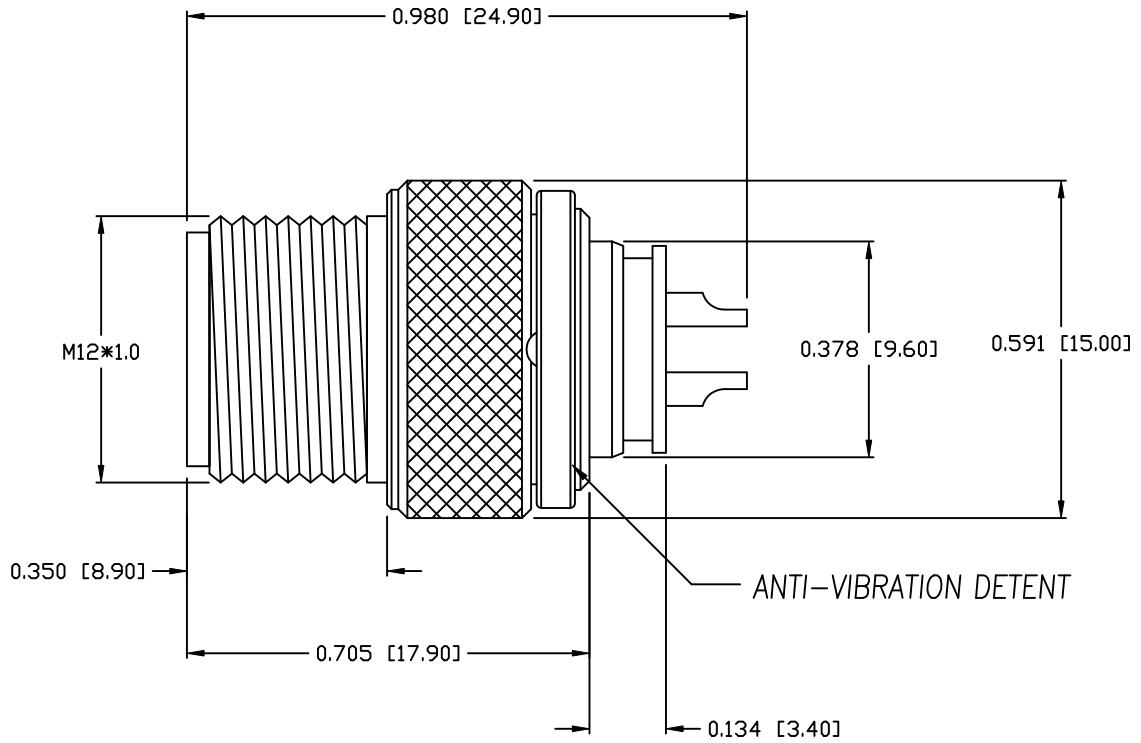
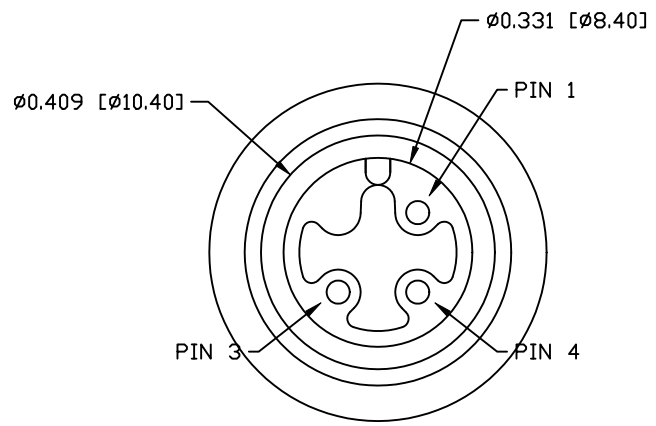
DESCRIPTION: M12 MALE - CABLE MOUNT - SOLDER CUP - 3 POS. - HIGH VIBRATION

NOTE:

MATERIAL  
 HOUSING: PA66 UL94V-0, BLACK  
 CONTACT: BRASS  
 NUT: BRASS  
 FINISH  
 CONTACT: 10µ GOLD  
 OVER 50µ NICKEL  
 NUT: NICKEL PLATED  
 60µ TO 100µ OVER ALL

ELECTRICAL  
 RATED CURRENT: 3A  
 RATED VOLTAGE: 60V  
 INSULATION RESISTANCE: 100 mΩhms MIN.  
 CONTACT RESISTANCE: 10 MΩhms MAX.  
 WATER PROOF: IP67

ENVIRONMENT  
 OPERATION TEMPERATURE: -40°C TO +105°C  
 WIRE GAUGE: 24-28 AWG



RoHS COMPLIANT

DO NOT SCALE FROM DRAWING



THESE DRAWINGS AND SPECIFICATIONS ARE THE PROPERTY OF NorComp AND SHALL NOT BE REPRODUCED, COPIED OR USED AS THE BASIS FOR THE MANUFACTURE OR SALE OF APPARATUS WITHOUT WRITTEN PERMISSION.

DRAWN: M. SIGMON  
 DATE: 08-04-16  
 CHECKED:  
 DATE:

NorComp

SCALE: N.T.S.  
 SHEET 1 OF 1  
 REV 1  
 DWG NO. 858VA03-103RLU4