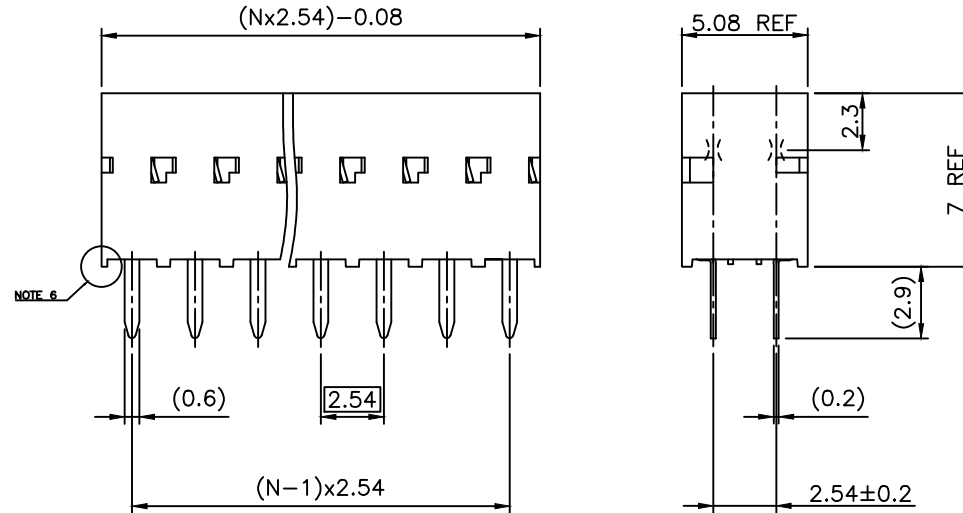
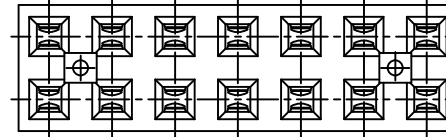


PRODUCT NUMBER  
76342-YXXXLF

- RoHS COMPATIBLE, SEE NOTE 5
- OPTIONAL LETTER
- H: HIGH TEMPERATURE PRODUCT.
- C: PACKAGED IN SHORT TUBE.
- NUMBER OF POSITIONS PER ROW: 02 TO 50.
- PLATING CODE
- 3= 0.76µm GOLD ON CONTACT AREA.  
2µm MIN MATTE TIN ON TAIL.
- 4= 2µm MIN MATTE TIN FULL PLATED  
1.27µm Ni MIN UNDERPLATING



NOTES:

- 1 - HOUSING MAT'L: THERMOPLASTIC GLASS FILLED FLAME RETARDANT PER UL 94 V-0  
LOW TEMPERATURE: COLOR BLUE  
HIGH TEMPERATURE: COLOR GREY.
- 2 - TERMINAL MATERIAL: PHOSPHOR BRONZE.
- 3 - 2 UP TO 4 POSITIONS PRODUCT PACKED IN PLASTIC BOX.  
5 UP TO 50 POSITIONS PRODUCT PACKED IN TUBE.
- 4 - TO DETERMINE DIMENSIONS:  
N = NUMBER OF POSITIONS PER ROW  
EXAMPLE: 8 POS: (N x 2.54) - 0.08 = 20.24 mm
- 5 - RoHS COMPATIBLE PRODUCT SPECIFICATIONS
  - a - PLATING:  
- "LF" MEANS THE PRODUCT IS LEAD-FREE,  
2µm MINIMUM MATTE TIN OVER 1.27µm  
MINIMUM NICKEL UNDERPLATE.
  - b - MANUFACTURING PROCESS COMPATIBILITY  
- THE HOUSING WILL WITHSTAND EXPOSURE TO  
260°C ± 5°C SOLDER BATH TEMPERATURE FOR  
5 SECONDS IN A WAVE SOLDER APPLICATION  
WITH A 1.6mm MIN THICK CIRCUIT BOARD.
  - c - LABELING:  
- MEETS PACKAGING SPECS AS PER GS-14-920
  - d - LEGAL STATEMENT: SEE GS-47-0004
- 6 - END STAND-OFFS FOR 2x2 UP TO 2x4 POS  
NO END STAND-OFFS FOR 2x5 UP TO 2x50 POS

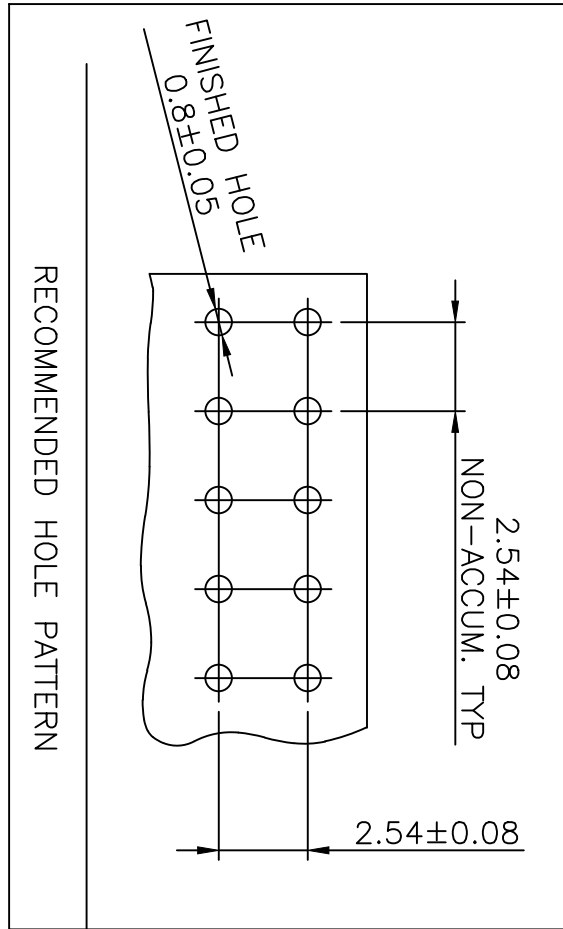


Copyright FCI

mat'l. code SEE NOTES 1 & 2		surface ISO 1302 ✓		tolerance ISO 406 ISO 1101		projection mm		product family DUBOX	
lfr ecn no dr date		tolerances unless otherwise specified		angles linear ±0.3		scale 5:1		title BtB RECEPT. VERT DR TMT	
AA F-24429 AMA 16.07.01		±2°						dwg no 76342	
U F06-0137 DLE 06.02.27		V F06-0204 DLE 06.06.20		dr D LEGRAND 04.09.27		W F11-0043 JCO 12.02.22		engr P NIZZI 04.09.27	
X B-19123 LMU 14.10.21		chr D LEGRAND 04.09.27		Y B-21211 AMA 15.06.22		appd P NZ 04.09.27		sheet 1 of 2 size A3	
sheet index		revision sheet 1 2		type CUSTOMER		Drawing			



2



A

A

B

B

C

C

mat'l. code		surface		tolerance		projection		product family	
SEE SHEET 1		ISO 1302 <input checked="" type="checkbox"/>		ISO 406 ISO 1101				DUBOX	
title		ISO 1302		tolerances unless otherwise specified		mm		BTB RECEIPT.	
SEE SHEET 1		ISO 406		±0.3		scale 5:1		VERT DR TMT	
ltr	ecn no	dr	date	angles	linear			dwg no	sheet 2 of 2
A	F04-0347	DLE	04.09.27					76342	A4
B	F06-0204	DLE	06.06.20					CUSTOMER	Drawing
C	B-21211	AMA	15.06.22	±2°					
sheet index		revision		engr		chr		appd	
1		1		D LEGRAND		P NIZZI		P NZ	
1		1		04.09.27		04.09.27		04.09.27	
1		1		04.09.27		04.09.27		04.09.27	
1		1		04.09.27		04.09.27		04.09.27	



Copyright FCI

form: A4

1

2