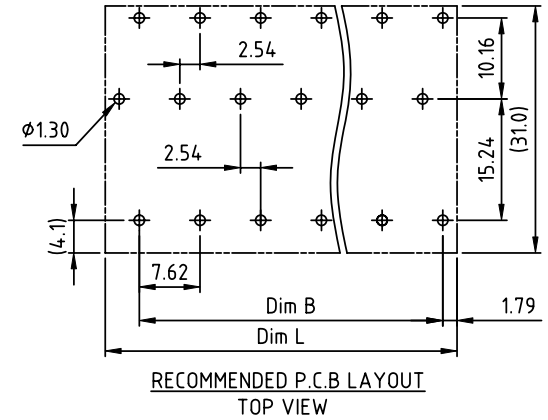
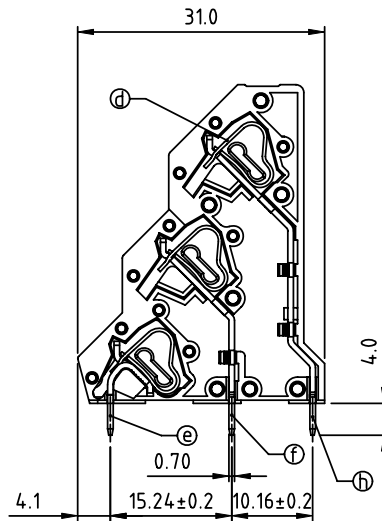
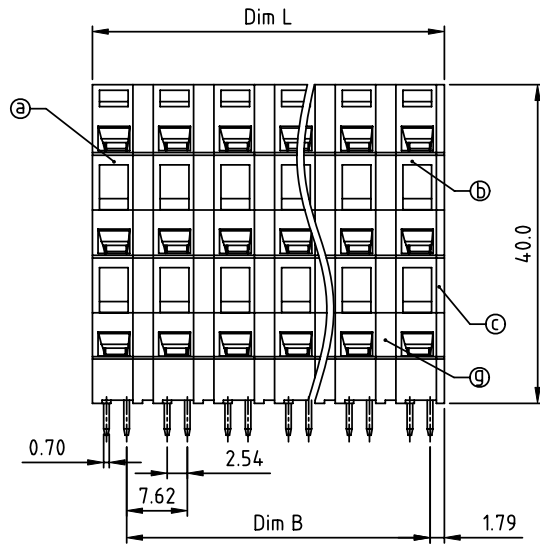


PRODUCT NUMBER	PITCH
HRxx50x100J0G	7.62mm

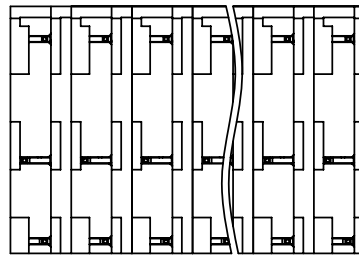


Material:

- ItemⒶ Terminal side housing: Thermoplastic (UL94V-0)
- ItemⒷ Terminal housing: Thermoplastic (UL94V-0)
- ItemⒸ Terminal cover: Thermoplastic (UL94V-0)
- ItemⒹ Spring clamp: Stainless steel
- ItemⒺ Short pin: Brass, Tin plated
- ItemⒻ Middle pin: Brass, Tin plated
- ItemⒼ Long pin: Brass, Tin plated

Electrical:

- | | |
|-------------------------|-----------------|
| | cULus |
| ●Voltage rating: | 300V |
| ●Current rating: | 10A |
| ●Wire range: | |
| ●Solid wire(AWG): | 12-28 |
| ●Stranded wire(AWG): | 12-28 |
| ●Wire strip length: | 5-6mm |
| ●Withstanding Voltage: | 1.6KV |
| ●Operating temperature: | -40°C to +115°C |
| ●Soldering temperature: | 260°C±5°C/5 Sec |
| ●Safety Approval: | cULus |



N=Number of poles
 $Dim L = (N/3 - 1) \times 7.62 + 6.08$
 $Dim B = (N/3 - 1) \times 7.62$

Poles	Dim L	Dim B
3x2p-3x4p	±0.10	±0.10
3x5p-3x8p	±0.15	±0.15
3x9p-3x12p	±0.20	±0.20
3x13p-3x16p	±0.30	±0.30

PART NO.: HR xx 50 x 100J0 G

No. of poles	0	Black (RAL9005)	RoHS compliant (lead<4%) In copper Alloy
End Stackable	2	Red (RAL3001/D)	
06 3x2 poles	3	Orange(RAL2011/P)	
09 3x3 poles	4	Yellow(RAL1018/A)	
... ..	5	Green(RAL6018/T)	
48 3x16 poles	6	Blue (RAL5015/A)	
	8	Grey(RAL7004/P)	
	9	White(RAL1102)	
	C	Multiple colors	

mat'l. code		surface ASME Y14.5	tolerance ASME Y14.5	projection	product family TERMINAL BLOCK				
ltr	ecn no	dr	date	 MM scale	title TERMINAL BLOCK SPRING CLAMP, 45D WIRE INLET, 3-LEVEL, INTERLACE TYPE				
tolerances unless otherwise specified		angles	<table border="0"> <tr><td>∅</td><td>X.±0.5</td></tr> <tr><td>∠</td><td>X.X±0.3</td></tr> <tr><td>∠</td><td>X.XX±0.1</td></tr> </table>			∅	X.±0.5	∠	X.X±0.3
∅	X.±0.5								
∠	X.X±0.3								
∠	X.XX±0.1								
dr	ENGR	EVIN ZHONG	053014		dwg no HRxx50x100J0G				
enr	ENGR	EVIN ZHONG	053014		sheet 1 of 1				
chr	CHR	HANKE FENG	053014		size A4				
appd	SHI JUN	053014			type CUSTOMER Drawing				
sheet index	revision	A	1						