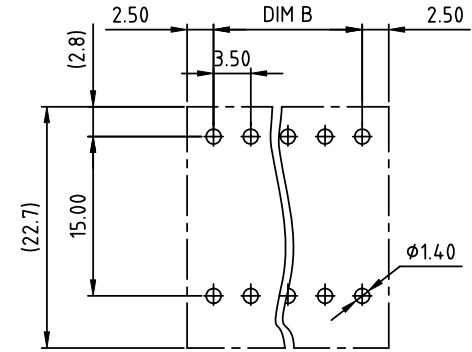
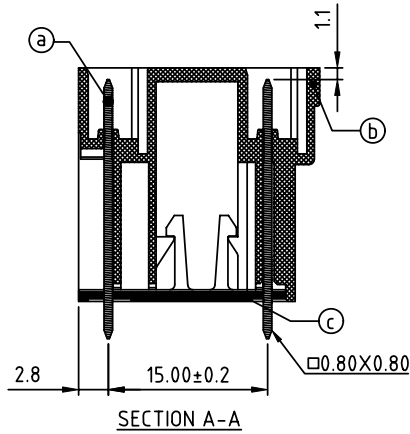
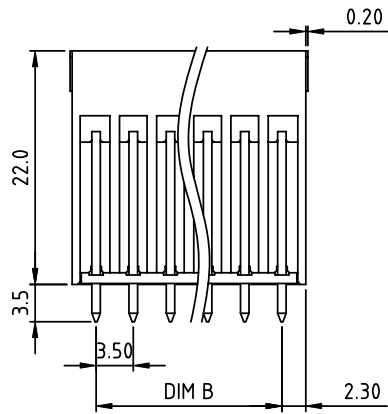
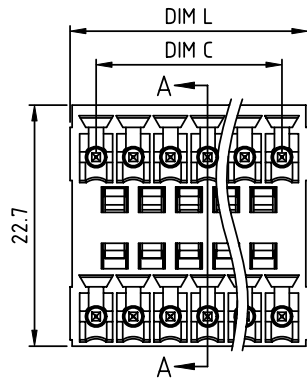


PRODUCT NUMBER	PITCH
VLxx13x000J0G	3.50 mm



RECOMMENDED P.C.B LAYOUT
TOP VIEW

Material

- Item (a) Pin: Copper Tin plated
 - Item (b) Terminal (housing): Thermoplastic (UL94V-0)
 - Item (c) Terminal (cover): Thermoplastic (UL94V-0)
- Electrical cULus
- Voltage rating: 300VAC
 - Current rating: 8A
 - Wire range:
 - Solid wire(AWG):
 - Stranded wire(AWG):
 - Withstanding Voltage: 1.6KV
 - Operating temperature: -40°C to +115°C
 - Soldering temperature: 260°C±5°C/5 Sec
 - Safety Approval:

N=Number of poles
Dim L=(N/2-1)×3.5+5.0
Dim B=(N/2-1)×3.5
Dim C=(N/2-1)×3.5

Poles	Tolerance
2x2p-2x6p	±0.15
2x7p-2x13p	±0.20
2x14p-2x18p	±0.25
2x19p-2x24p	±0.30

PART NO.: VL xx 1 3 x 0 00J0 G

		Color	RoHS compliant (lead<4%) In copper Alloy
Solid block	0	Black (RAL9005)	
No. of poles	2	Red (RAL3001/D)	
04	2x2poles	3 Orange(RAL2011/P)	
06	2x3poles	4 Yellow(RAL1018/A)	
...	...	5 Green(RAL6018/T)	
48	2x24poles	6 Blue (RAL5015/A)	
		8 Grey(RAL7035/D)	
		9 White(RAL1102)	
		C Green(RAL6018/U)	

mat'l. code		surface ASME Y14.5	tolerance ASME Y14.5	projection 	product family TERMINAL BLOCK
ltr	ecn no	dr	date		title TERMINAL BLOCK
				tolerances unless otherwise specified	PLUGGABLE SOCKET,VERTICAL,B TYPE
		angles	$X \pm 0.5$	MM	scale
		$X \pm 1^{\circ}$	$X.X \pm 0.3$		dwg no VLxx13x000J0G
		dr	EVIN ZHONG 042514		sheet 1 of 1 size A4
		enr	EVIN ZHONG 042514		type CUSTOMER Drawing
		chr	HANKE FENG 042514		
		appd	SHI JUN 042514		
sheet index	revision sheet	A	1		