

THIS DRAWING IS UNPUBLISHED.

RELEASED FOR PUBLICATION

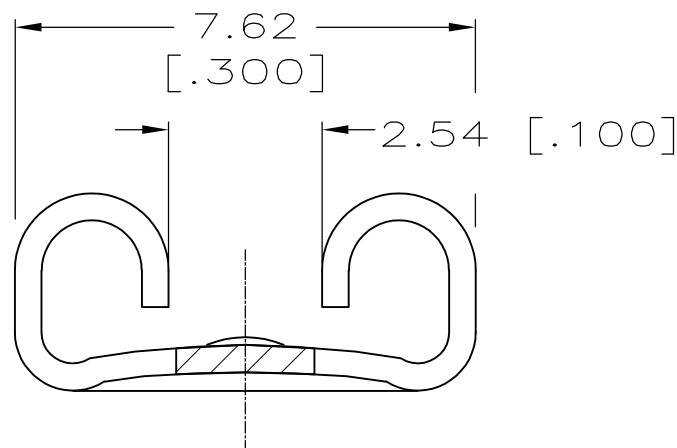
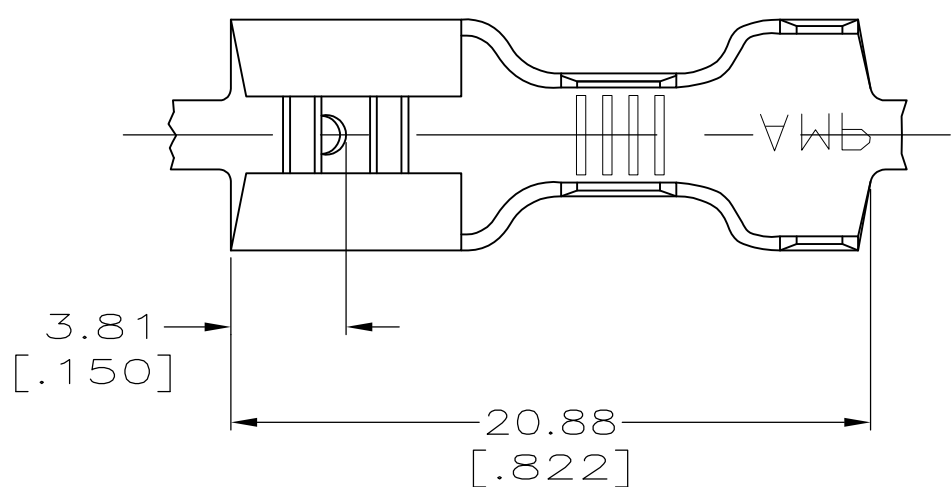
ALL RIGHTS RESERVED.

© COPYRIGHT - By -

LOC AF DIST 50

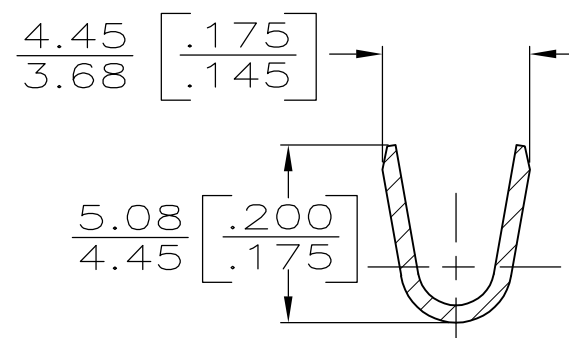
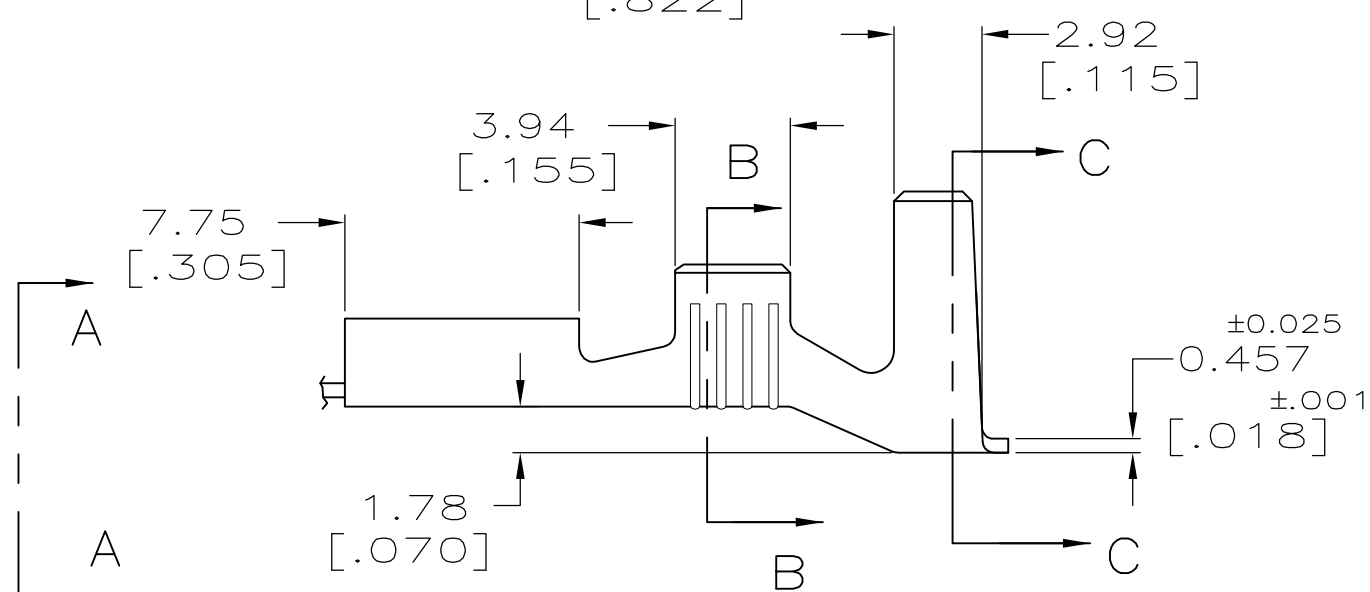
REVISIONS

P	LTR	DESCRIPTION	DATE	DWN	APVD
	B	REVISED PER ECR-12-013518	24NOV12	KH	PD

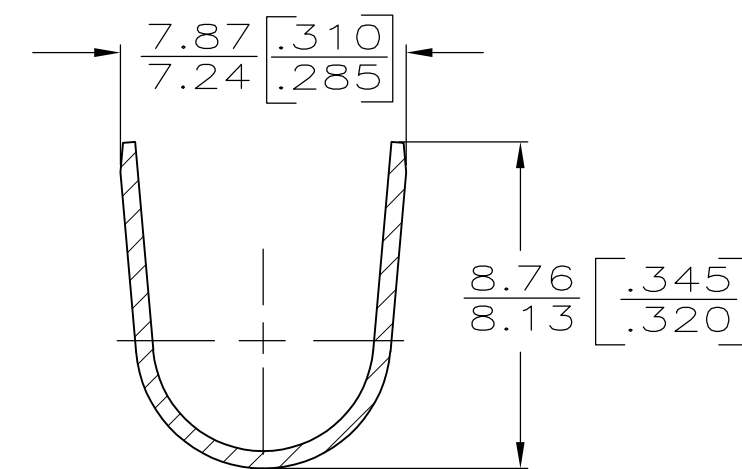


1 CONTINUOUS STRIP ON REELS

VIEW A-A  
SCALE 8:1



SECTION B-B  
SCALE 5:1



SECTION C-C  
SCALE 5:1

5.33-6.73 or (2) 3.05 [.210-.265] or (2) [.120]	[16-12] or (2) [#18's]	0.813±0.025 [.032±.001]	63831-1
INSULATION RANGE	WIRE SIZE	MATING TAB THICKNESS	PART NUMBER

F	7.62 [.300]	6.4 [.252]	F	3.56 [.140]	2.413 [.095] [12]	[12]
					2.083 [.082] [14]	[14]
					1.880 [.074] [16]	[16]
TYPE	WIDTH	STRIP LENGTH ±0.38 ±[.015]	TYPE	WIDTH	±.051 [±.002] HEIGHT	WIRE
INSUL BARREL CRIMP			WIRE BARREL CRIMP			

THIS DRAWING IS A CONTROLLED DOCUMENT.

DIMENSIONS: mm [INCHES]	TOLERANCES UNLESS OTHERWISE SPECIFIED:	DWN JR RUTH 3/1/95	TE Connectivity RECEPTACLE, FASTON,™ 6.35 [.250] SERIES
	0 PLC ± -	CHK MS FEHER 3/1/95	
	1 PLC ± -	APVD J HUZVAR 3/1/95	
	2 PLC ± 0.25 [.010]	PRODUCT SPEC	
	3 PLC ± -	APPLICATION SPEC	NAME
	4 PLC ± -	114-2036	SIZE
	ANGLES ± -	WEIGHT -	CAGE CODE
MATERIAL BRASS	FINISH -	CUSTOMER DRAWING	DRAWING NO
		SCALE 4:1	RESTRICTED TO
		SHEET 1 OF 1	REV B