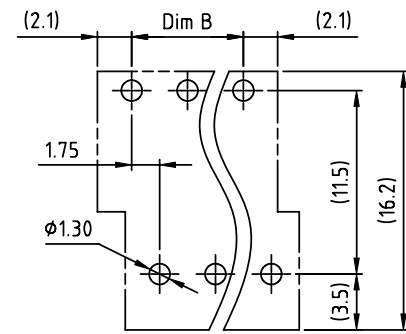
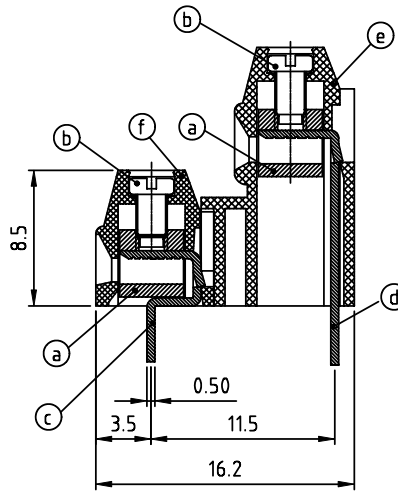
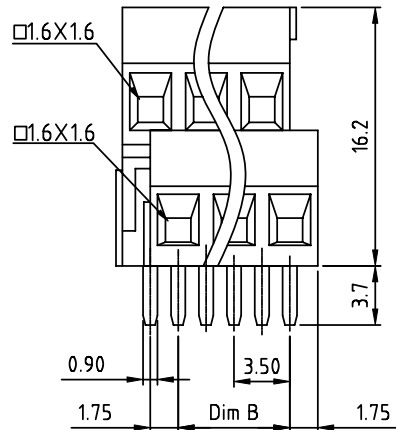
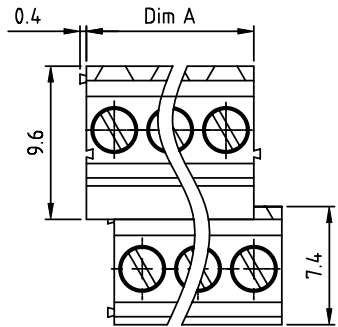


PRODUCT NUMBER	PITCH
YQxx21x000J0 G	3.50 mm



RECOMMENDED P.C.B LAYOUT  
TOP VIEW

- Material:
- Item① Clamp: Brass ,Ni plated
  - Item② Terminal screw: Steel Zinc plating"- "slot type
  - Item③ Solder pin1 : Brass ,Tin plated (YO)
  - Item④ Solder pin2 : Brass ,Tin plated (YP)
  - Item⑤ Terminal housing : Thermoplastic (UL 94V-0) (YP3.5)
  - Item⑥ Terminal housing : Thermoplastic (UL 94V-0) (Y03.5)

- Electrical cULus
- Voltage rating: 300VAC
  - Current rating: 10A
  - Wire range:
  - Solid wire(AWG): 16-24
  - Stranded wire(AWG): 16-24
  - Torque(Lb-In): 1.7
  - Screw: M2
  - Wire strip length: 5-6mm
  - Withstanding Voltage: 1.6KV
  - Operating temperature: -40°C to +115°C
  - Soldering temperature: 260°C±5°C/5 Sec
  - Safety Approval: cULus

Dimension Dim A & Dim B

DimA=N/2×3.5  
DimB=(N/2-1)×3.5

N=Number of poles

POLES	Tolerance
2×2p-2×6p	±0.15
2×7p-2×12p	±0.20
2×13p-2×18p	±0.25
2×19p-2×24p	±0.30

PART NO.: YQ xx 2 1 x 0 00J0 G

	Solid Block	No. of poles	Color	RoHS compliant
	0	2	Black (RAL9005)	(lead<4%)
	04	2×2 POLES	Red (RAL3001/D)	In copper Alloy
	06	2×3 POLES	Orange(RAL2011/P)	
	...	...	Yellow(RAL1018/A)	
	48	2×24 POLES	Green(RAL6018/T)	
			5 Blue (RAL5015/A)	
			8 Grey(RAL7035/D)	
			9 White(RAL1102)	
			C Green(RAL6018/U)	

mat'l. code		surface ASME Y14.5	tolerance ASME Y14.5	projection	product family
ltr	ecn no	dr	date	TERMINAL BLOCK	TERMINAL BLOCK
angles		tolerances unless otherwise specified		MM	title
X±1°		X.±0.5		scale	TERMINAL BLOCK
		X.X±0.3			RISING CLAMP,180D WIRE INLET,RIGHT TYPE
		X.XX±0.1			dwg no
dr	EVIN ZHONG	040714			sheet 1 of 1
enr	EVIN ZHONG	040714			size
chr	HANKE FENG	040714			YQxx21x000J0G
appd	SHI JUN	040714			A4
					type
					CUSTOMER Drawing
sheet index	revision sheet	A	1		