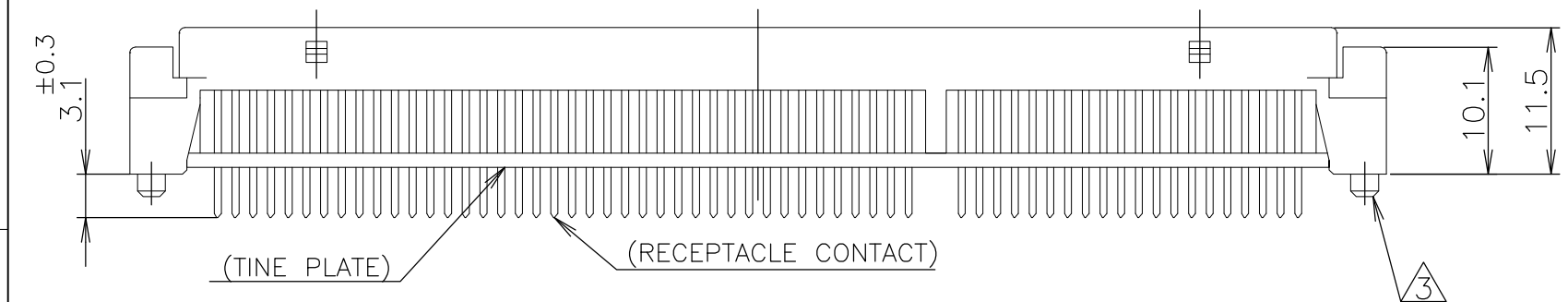
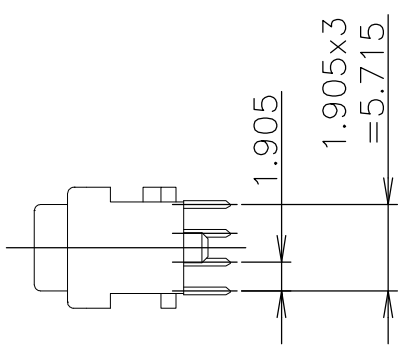
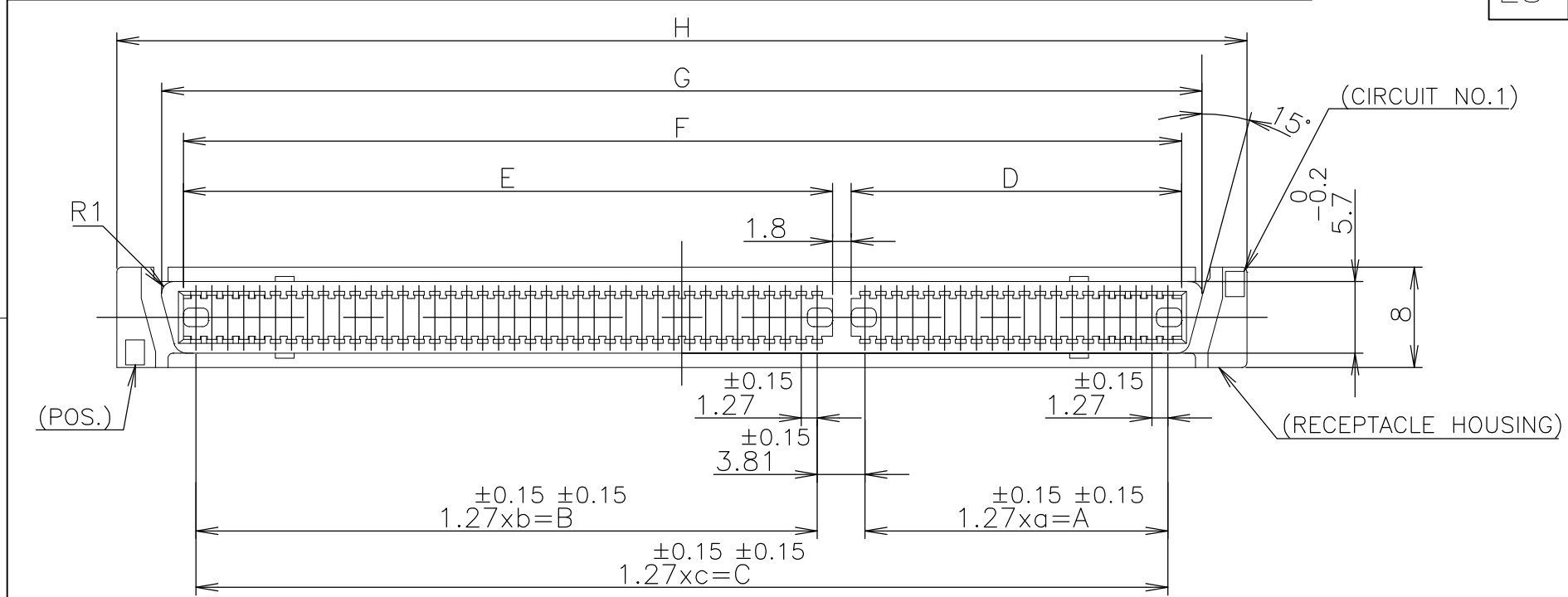
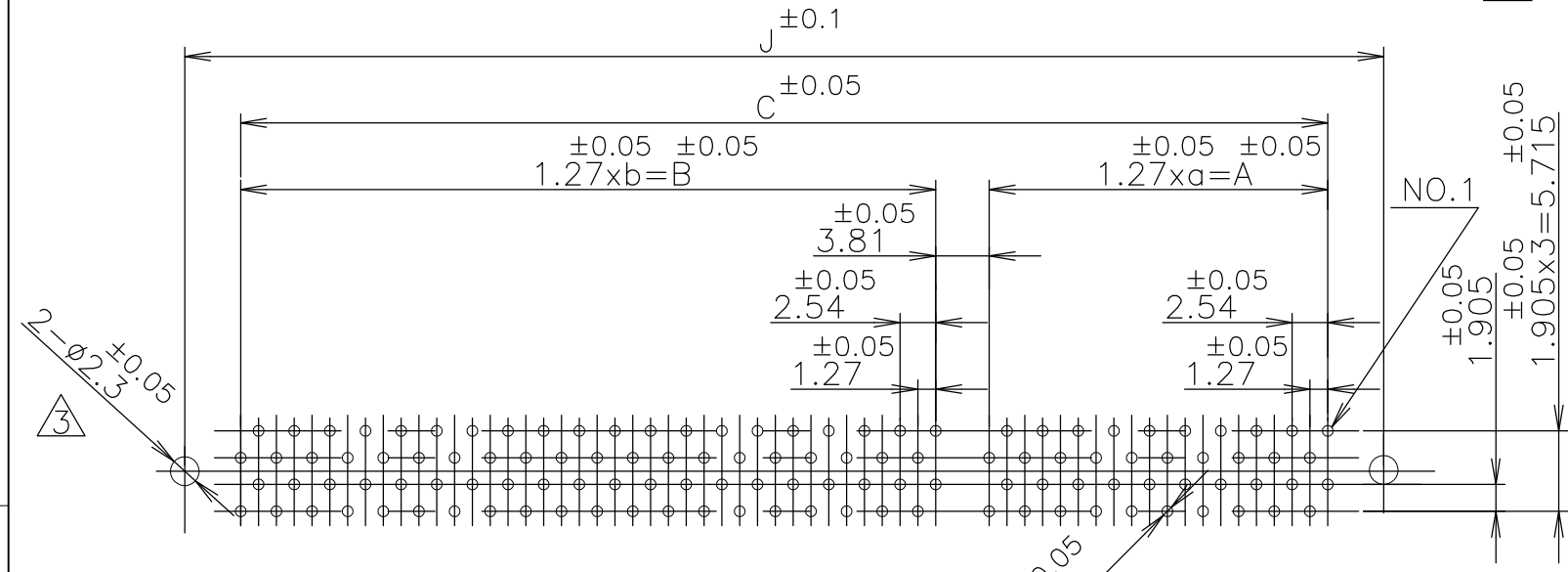


THIS DRAWING IS UNPUBLISHED. RELEASED FOR PUBLICATION AUG, 1989.  
 © COPYRIGHT 1989 By - ALL RIGHTS RESERVED.

LOC	DIST	REVISIONS					
ES	00	P	LTR	DESCRIPTION	DATE	DWN	APVD
		A		REVISED ECR-12-013273	25MAR13	K.M	E.T



- ① MATERIAL: HOUSING: GLASS FILLED 66NYLON (UL94V-0) BLACK  
CONTACT: PHOSPHOR-BRONZE
- ② FINISH: CONTACT: 0.0003 MIN. Au AT CONTACT AREA,  
0.001 MIN. TIN AT TINE, OVER Ni
- ③ BOSS FOR POSITIONING: P/N -1, -2, -3, -4
- ④ OBSOLETE



180	39	49.53	49	62.23	—	115.57	51.53	64.23	117.57	120.66	128.19	125.54	④	①	8
160	29	36.83	49	62.23	—	102.87	38.83	64.23	104.87	107.96	115.49	112.84			-7
140	29	36.83	39	49.53	—	90.17	38.83	51.53	92.17	95.26	102.79	100.14			-6
120	19	24.13	39	49.53	—	77.47	26.13	51.53	79.47	82.56	90.09	87.44			-5
100	—	—	—	—	49	62.23	—	—	64.23	67.32	74.85	72.2			-4
80	—	—	—	—	39	49.53	—	—	51.53	54.62	62.15	59.5			-3
60	—	—	—	—	29	36.83	—	—	38.83	41.92	49.45	46.8			-2
40	—	—	—	—	19	24.13	—	—	26.13	29.22	36.75	34.1	5176374-1		
POS.	a	A	b	B	c	C	D	E	F	G	H	J	P/N		

P.C. BOARD LAYOUT  
(CONNECTOR MOUNT SIDE)

LEAD FREE

GENERAL TOLERANCE  
 10 ≥ : ±0.2  
 30 ≥ > 10: ±0.25  
 100 ≥ > 30: ±0.3  
 ANGLES: ±3°

THIS DRAWING IS A CONTROLLED DOCUMENT.

DIMENSIONS: 単位: 耗 mm	TOLERANCES UNLESS OTHERWISE SPECIFIED: 一般公差	DWN S.ISHIKAWA 31AUG04	TE Connectivity
		CHK STEVEN YAO 31AUG04	
		APVD I.ENOMOTO 31AUG04	
		NAME 名称	
		PRODUCT SPEC 製品規格	AMP FH CONNECTOR RECEPTACLE (VERTICAL)
		APPLICATION SPEC 取付適用規格	
		WEIGHT	SIZE A3
			CAGE CODE 00779
			DRAWING NO C-5176374
			RESTRICTED TO
			SCALE 尺度 2:1
			SHEET 1 OF 1
			REV A

CUSTOMER DRAWING