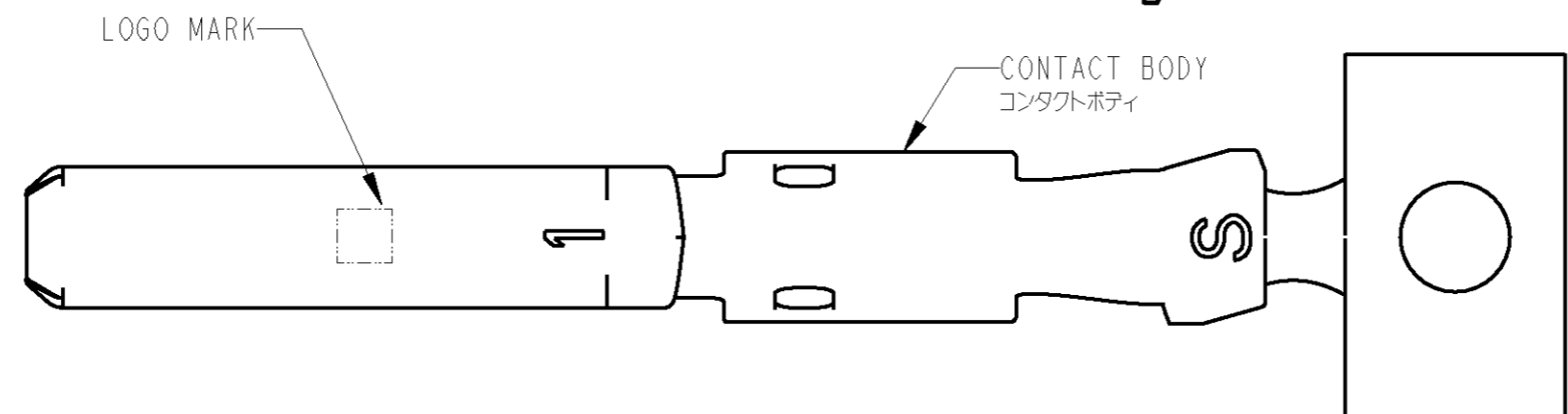
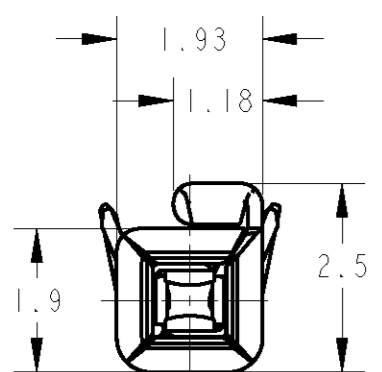
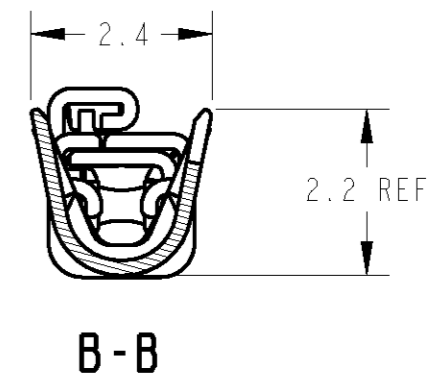
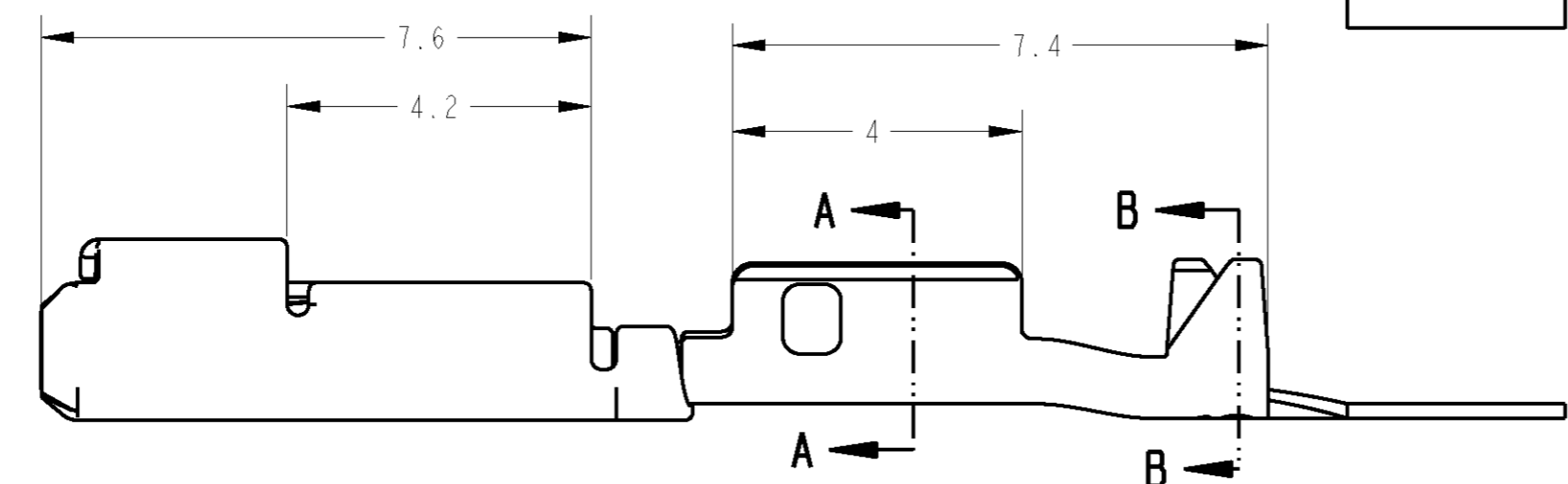
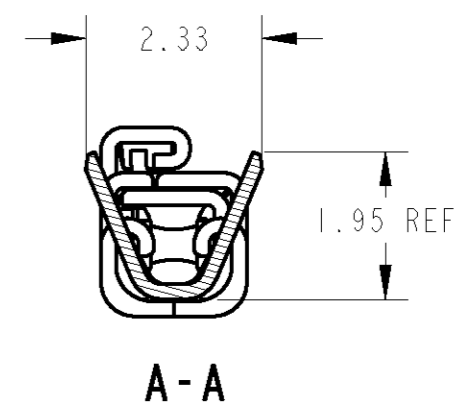
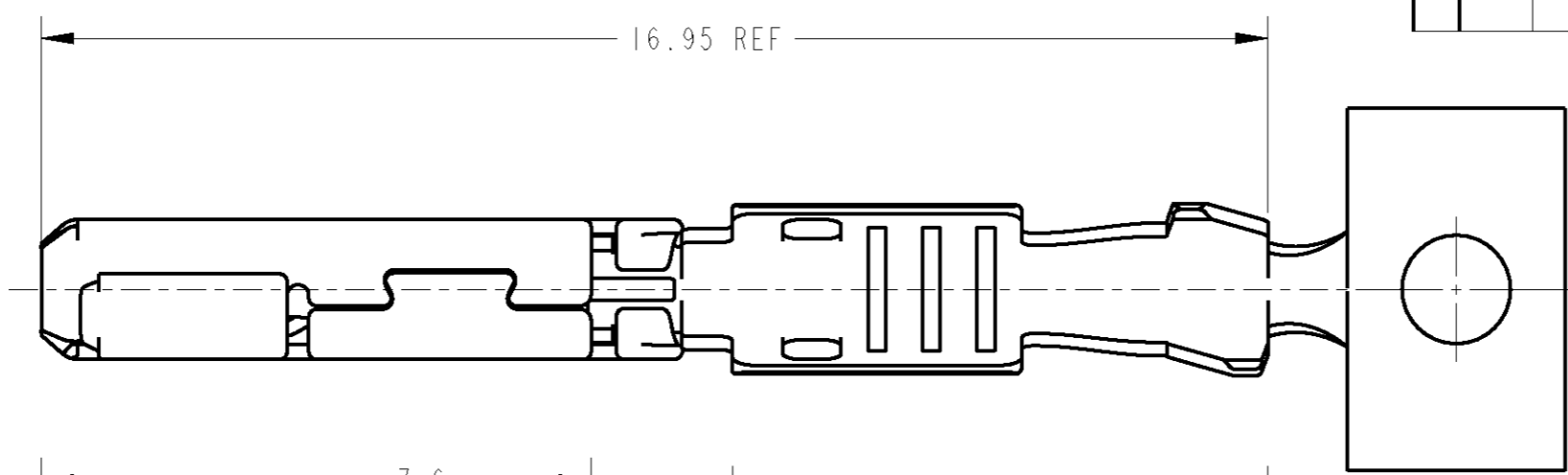


THIS DRAWING IS UNPUBLISHED. RELEASED FOR PUBLICATION 20
 © COPYRIGHT 20 BY TYCO ELECTRONICS CORPORATION. ALL RIGHTS RESERVED.

LOC	DIST	REVISIONS				
P	LTR	DESCRIPTION	ECN	DATE	DWN	APVD
J	X	0	RELEASED	FJA0-0709-03	26NOV03	Y.N Y.F
		A	REVISED	ECR-10-005857	20APR10	S.F K.B



I. APPLICATOR FEED: 8mm
 I. アプリケータ送りピッチ: 8mm

BRASS PLAIN	COPPER ALLOY PRE-TIN	1717148-1
CONTACT FERRULE コンタクトフェルル	CONTACT BODY コンタクトボディ	AMP PART NUMBER
MATERIAL / FINISH 材料 / 仕上		

WIRE RANGE 絶縁電線断面積	0.3~0.5 mm ²	INSULATION DIA 被覆外径	φ1.1~1.7
-----------------------	-------------------------	------------------------	----------

THIS DRAWING IS A CONTROLLED DOCUMENT FOR TYCO ELECTRONICS CORPORATION. IT IS SUBJECT TO CHANGE AND THE CONTROLLING ENGINEERING ORGANIZATION SHOULD BE CONTACTED FOR THE LATEST REVISION.		DWN Y. NOGUCHI 20-Apr-10
DIMENSIONS: mm		CHK Y. FUJIWARA 20-Apr-10
TOLERANCES UNLESS OTHERWISE SPECIFIED: 一般公差 = ± 0.2		APVD Y. FUJIWARA 20-Apr-10
0 PLC ±		PRODUCT SPEC
1 PLC ±0.1		APPLICATION SPEC
2 PLC ±0.05		114-5278
3 PLC ±0.025		WEIGHT 0.23g
4 PLC ±0.0001		CUSTOMER DRAWING
ANGLES ±1.00'		
MATERIAL COPPER ALLOY	FINISH SEE TABLE	

Tyco Electronics Corporation Kawasaki, Japan		RESTRICTED TO
NAME REC CONTACT ASSY S RANGE CLEAN BODY 025 CONNECTOR		
SIZE A3	CAGE CODE 00779	DRAWING NO C=1717148
SCALE 10:1	SHEET 1	OF 1
REV A		