

DWG. NO. SD-35303-001

SIMILAR ITEM

PROJECT NO.

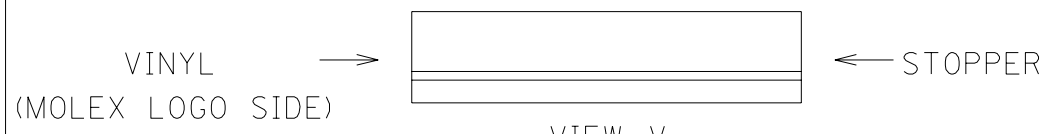
5

4

3

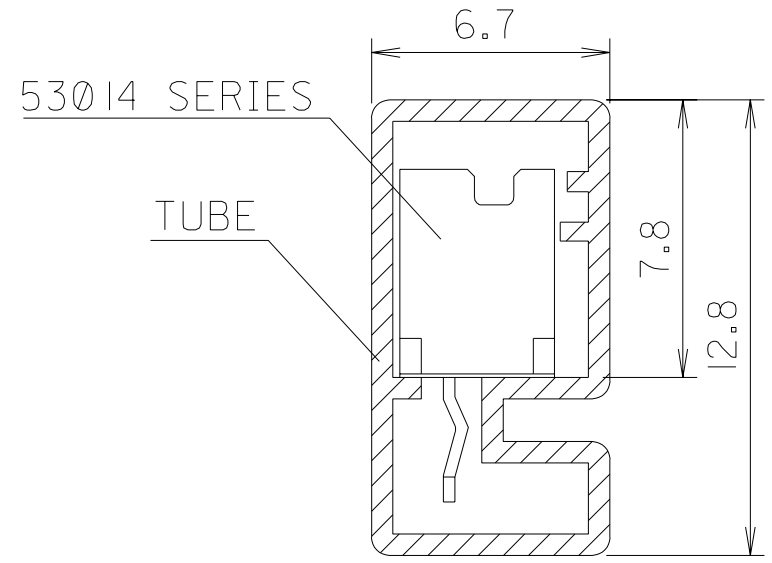
2

1



NOTES  
 1. TUBE : STOPPER & VINYL LOCKING TYPE  
 2. THICKNESS : 0.6+  
 3. LENGTH : 550mm

LEGEND 35303-\*\*\* 5 \*  
 COLOR : 0 --- NATURAL  
 1 --- BLACK  
 2 --- RED  
 3 --- YELLOW  
 4 --- BLUE  
 CKT (02, 03, 04, ...)



15	35303155*	35303-155*	8	35303085*	35303-085*	53014 SERIES	
14	35303145*	-145*	7	35303075*	-075*		
13	35303135*	-135*	6	35303065*	-065*		
12	35303125*	-125*	5	35303055*	-055*		
11	35303115*	-115*	4	35303045*	-045*		
10	35303105*	-105*	3	35303035*	-035*		
9	35303095*	35303-095*	2	35303025*	35303-025*		
CKTS	MAT'L NO.	ENG NO.	CKTS	MAT'L NO.	ENG NO.		USED ON

NEW RELEASED EC NO. KOR2004-0124 DRWN: K.S.KIM (040324) CH'K: J.K.OH APPR: C.W.LEE	DESCRIPTION MAJOR CRITICAL	GENERAL TOLERANCES: (UNLESS SPECIFIED)		SCALE NONE	DESIGN UNITS <input checked="" type="checkbox"/> mm <input type="checkbox"/> INCH	THIRD ANGLE PROJECTION	DIMENSIONS: <input type="checkbox"/> mm <input type="checkbox"/> INCH <input checked="" type="checkbox"/> mm ONLY	SHT REV
		4 PLACES ±0.    ±.	DRAWN BY & DATE H.S.SHIN (910220)	TITLE: TUBE PACKAGED FOR 53014 SERIES				
		3 PLACES ±0.    ±.	CHECKED BY & DATE J.K.OH					
		2 PLACES ±0.    ±.	APPROVED BY & DATE C.W.LEE	MOLEX INCORPORATED KOREA				
1 PLACE ±0.    ±.	CAD FILENAME SD-35303-001	MATERIAL NO. SEE TABLE	DRAWING NO. SD-35303-001				SHEET NO. 1 OF 1	
A	REV	ANGULAR: ± °		DRAFT WHERE APPLICABLE MUST REMAIN WITHIN DIMENSIONS			THIS DRAWING CONTAINS INFORMATION THAT IS PROPRIETARY TO MOLEX INCORPORATED AND SHOULD NOT BE USED WITHOUT WRITTEN PERMISSION.	
								SIZE A

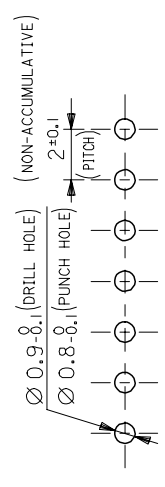
5

4

3

2

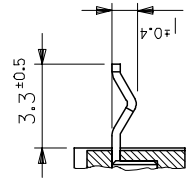
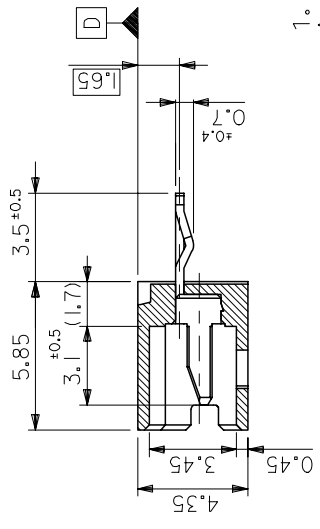
MX-A4



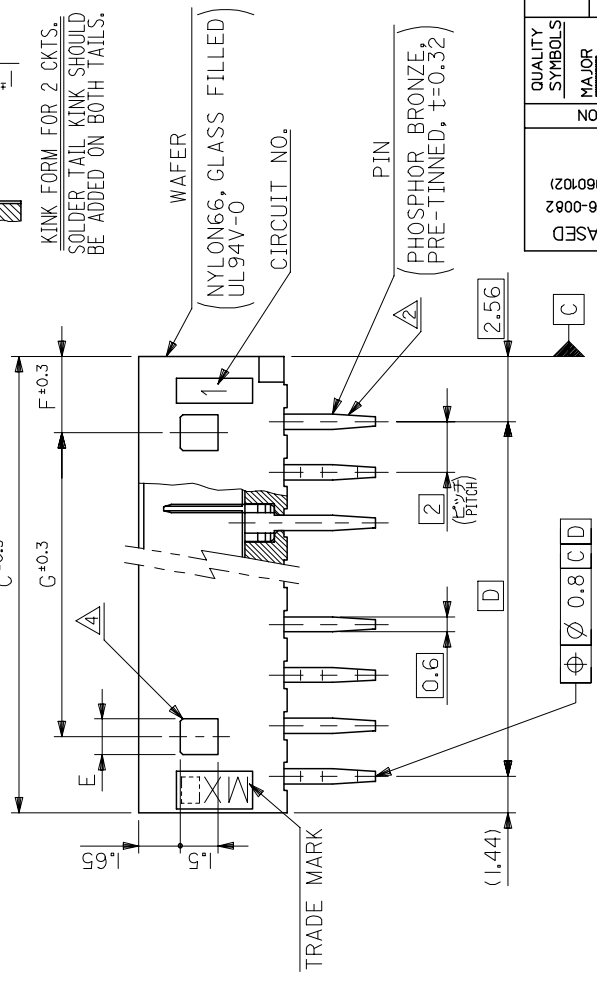
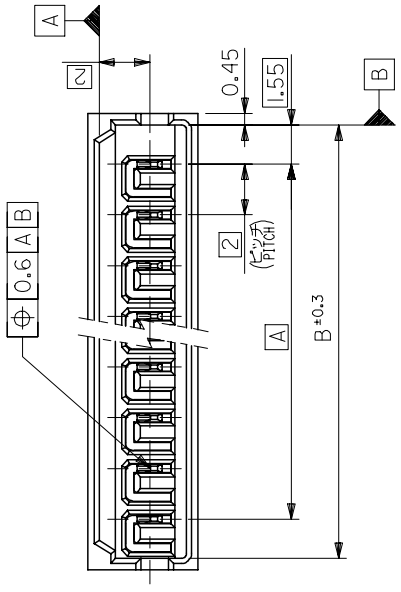
RECOMMENDED P.C. BOARD  
HOLE DIMENSION(REFERENCE) t=1.6

**NOTES**

- MATES WITH : 51004-\*\*\*00
- KINK TO BE ADDED ON THE ODD NUMBER SOLDER TAILS.(FROM THE TRADE MARK SIDE.)
- \* MARK INDICATES DYED COLOR :  
"0" NATURAL, "1" BLACK, "2" RED, "3" YELLOW, "4" BLUE
- LOCKING HOLE : 1 PLACE FOR 2, 3 CKTS. AND MORE THAN 4 CKTS.



KINK FORM FOR 2 CKTS.  
SOLDER TAIL KINK SHOULD BE ADDED ON BOTH TAILS.



PROJECT NO.	SCALE	DESIGN UNITS	THIRD ANGLE PROJECTION	APPLIED ITEM	ENG. NO.	ENG NO. $\Delta$	NO. OF CKTS.		
26	3	1.4	28	31.1	28	53014-15*	35303-155*	15	
24	3	1.4	26	29.1	26	-14*	35303-145*	14	
22	3	1.4	24	27.1	24	-13*	35303-135*	13	
20	3	1.4	22	25.1	22	-12*	35303-125*	12	
18	3	1.4	20	23.1	20	-11*	35303-115*	11	
16	3	1.4	18	21.1	18	-10*	35303-105*	10	
14	3	1.4	16	19.1	16	-09*	35303-095*	9	
12	3	1.4	14	17.1	14	-08*	35303-085*	8	
10	3	1.4	12	15.1	12	-07*	35303-075*	7	
8	3	1.4	10	13.1	10	-06*	35303-065*	6	
6	3	1.4	8	11.1	8	-05*	35303-055*	5	
4	3	1.4	6	9.1	6	-04*	35303-045*	4	
---	4	3.4	4	7.1	4	-03*	35303-035*	3	
---	3	1.4	2	5.1	2	53014-02*	35303-025*	2	
G	F	E	D	C	B	A	ENG. NO. $\Delta$	ENG NO. $\Delta$	NO. OF CKTS.

GENERAL TOLERANCES: (UNLESS SPECIFIED)	SCALE	DESIGN UNITS	THIRD ANGLE PROJECTION	APPLIED ITEM	ENG. NO.	ENG NO. $\Delta$	NO. OF CKTS.	
4 PLACES $\pm 0.$	mm	mm	mm	mm	mm	mm	mm	mm
3 PLACES $\pm 0.$	mm	mm	mm	mm	mm	mm	mm	mm
2 PLACES $\pm 0.$	mm	mm	mm	mm	mm	mm	mm	mm
1 PLACE $\pm 0.$	mm	mm	mm	mm	mm	mm	mm	mm
ANGULAR: $\pm$	mm	mm	mm	mm	mm	mm	mm	mm

QUALITY SYMBOLS	DESCRIPTION	REVISION
MAJOR		
CRITICAL		

GENERAL TOLERANCES	ANGLE	30 OVER	10 OVER	30 UNDER	10 UNDER
$\pm 3^\circ$					
$\pm 0.3$					
$\pm 0.25$					
$\pm 0.2$					

NEW RELEASED	DRWN: K.S.KIM (060102)	CHK: Y.SOO/KIM	APP: S.H.CHOI	REV
A				

DO NOT SCALE DRAWING  
DIMENSION IN METRIC

TITLE: 2.0 LOW PROFILE WAFER ASSY

MATERIAL NO.	DRAWING NO.	SHEET NO.
MOLEX INCORPORATED	SD-35303-010	1 OF 1

THIS DRAWING CONTAINS INFORMATION THAT IS PROPRIETARY TO MOLEX INCORPORATED AND SHOULD NOT BE USED WITHOUT WRITTEN PERMISSION.

KOREA

MX-A3