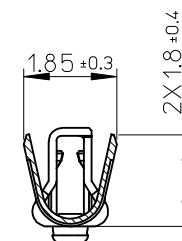
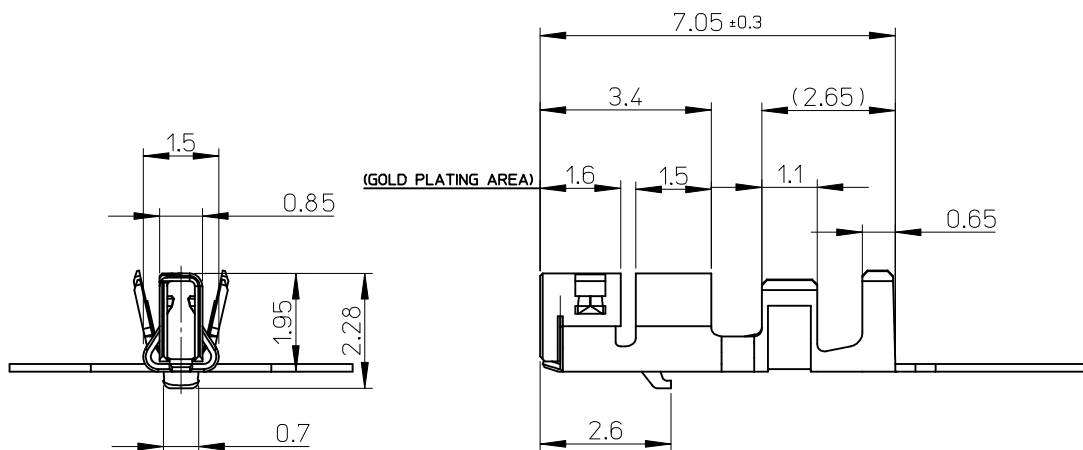
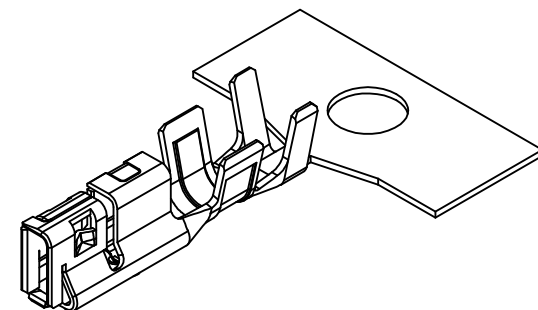
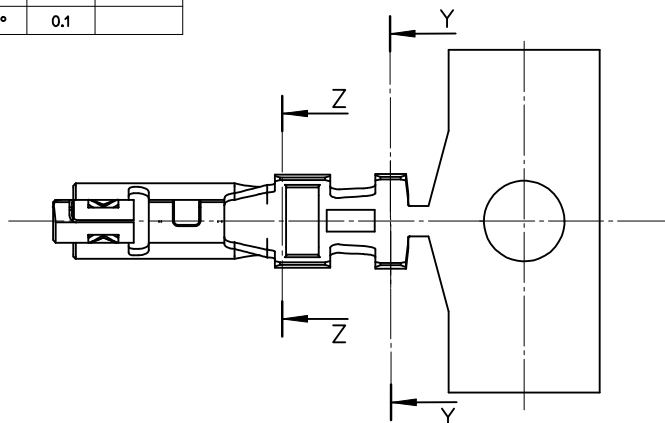
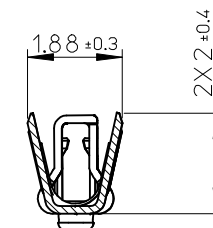


GENERAL TOLERANCE										USED ON
10 MAX	30 MAX	50 MAX	70 MAX	100 MAX	120 MAX	250 MAX	250 OVR	ANGLE	ECCENT	
±0.15	±0.20	±0.30	±0.40	±0.50	±0.75	±0.90	±1.4	±0.5°	0.1	



SECTION Z-Z



SECTION Y-Y

NOTES

1. MATERIAL : CORSON ALLOY (0.15T)
2. APPLICABLE HOUSING : 560123-0*00
3. APPLICABLE WIRE : AVSS 0.3SQ, FLYR-A WIRE 0.35SQ
4. GENERAL TOLERANCES : SEE TABLE
5. ELV AND RoHS COMPLIANT
6. PRODUCT SPECIFICATION: PS-560123-001
7. PACKING SPECIFICATION: PK-560124-001
8. CRIMP SPECIFICATION: CS-560124-001
9. PLATING : Au SELECTIVE
(Ni : 1.5um Min under plating, Au : 0.2um Min.)

ORDER NO	MATERIAL NO
560124-0131	5601240131

NEW RELEASE	DESCRIPTION	QUALITY SYMBOLS	GENERAL TOLERANCES (UNLESS SPECIFIED)	DIMENSION STYLE	SCALE	DESIGN UNITS	THIRD ANGLE PROJECTION	
		▽=0	mm INCH	MM ONLY	1:1	METRIC	⊙ □	
		∇=0	4 PLACES ± --- ± ---	DRAWN BY	DATE	TITLE	NEW 2.0 W/B CRIMP REC DURAOLIK™ ISL SERIES (GOLD PLATING)	
			3 PLACES ± --- ± ---	YIBAOK	2014/07/03			
	2 PLACES ± --- ± ---	CHECKED BY	DATE	MOLEX INCORPORATED				
	1 PLACE ± --- ± ---	JYCHOI	2015/05/29					
	ANGULAR ± --- °	DRAFT WHERE APPLICABLE MUST REMAIN WITHIN DIMENSIONS		MATERIAL NO.	DOCUMENT NO.	SHEET NO.		
				SEE TABLE	SD-560124-002	1 OF 1		
				SIZE	THIS DRAWING CONTAINS INFORMATION THAT IS PROPRIETARY TO MOLEX INCORPORATED AND SHOULD NOT BE USED WITHOUT WRITTEN PERMISSION			
				A3				