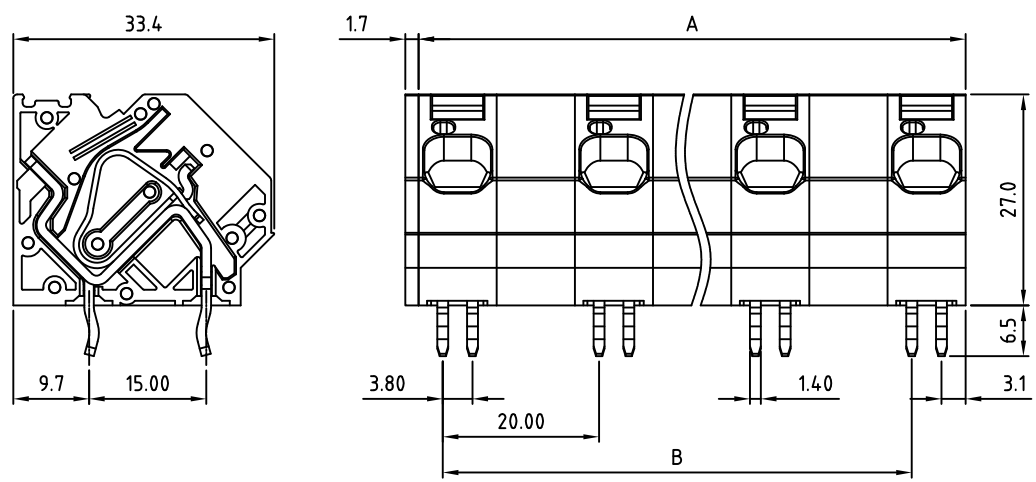


SIGN	DATE	DESCRIPTION	APPROVER
		<i>THIS IS CAD DRAWING, DO NOT REVISE MANUALLY!!!</i>	



- Material:**
- Insulator(housing): Thermoplastic (UL94V-0)
 - Wire guard: Stainless steel
 - Terminal Body(contact pin): Copper.Tin platd
 - Insulator(Cover): Thermoplastic (UL94V-0)
 - Pad board: Thermoplastic (UL94V-0)

- Electrical:**
- | | | |
|--------------------------|------------------|-------|
| | cULus | VDE |
| ● Voltage rating: | 600V | 1000V |
| ● Current rating: | 37A | 76A |
| ● Wire range: | 0.2-16 mm² | |
| Solid wire(AWG): | 6-24 | |
| Stranded wire(AWG): | 6-24 | |
| ● Wire strip length: | 12-13mm | |
| ● Withstanding Voltage: | 2.2KV | 3.5KV |
| ● Operating temperature: | -40°C to +115°C | |
| ● Soldering temperature: | 250°C±10°C/5 Sec | |
| ● Safety Approval: | | |

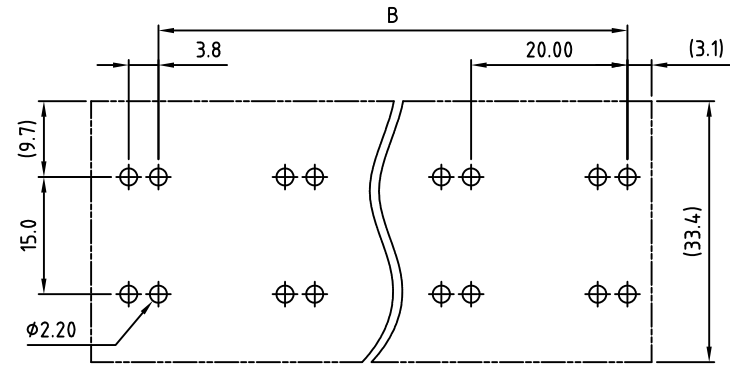
RoHS Compliant

PART NUMBER:

OSTH8XX2080

- | | |
|---------------------|--------------------|
| No. of Poles | COLOR |
| 02 2 Poles | 0: Black |
| 03 3 Poles | 5: Green |
| | 6: Blue |
| 08 8 Poles | 8: Grey (Standard) |

THESE DRAWINGS AND SPECIFICATIONS ARE THE PROPERTY OF ON-SHORE TECHNOLOGY, INC. AND SHALL NOT BE REPRODUCED, COPIED OR USED IN ANY MANNER WITHOUT THE PRIOR WRITTEN CONSENT OF ON-SHORE TECHNOLOGY, INC.



PCB Layout

POLE		2	3	4	5	6	7	8	
A		30.00	50.00	70.00	90.00	110.00	130.00	150.00	
B		20.00	40.00	60.00	80.00	100.00	120.00	140.00	
Tol.		±0.15			±0.25				
POLE	9	10	11	12	13	14	15	16	
A	170.00	190.00	210.00	230.00	250.00	270.00	290.00	310.00	
B	160.00	180.00	200.00	220.00	240.00	260.00	280.00	300.00	
Tol.		±0.35				±0.50			



TITLE		OSTH8 20.0mm Series					
PART NO.		OSTH8XX2080		DWG NO.		OSTH8XX2080.DWG	
APPROVED	CHECKED	DESIGNED	DRAWN	CUST NO.		Tolerance	
		Aaron 2010.06.08	Aaron 2007.09.14			X.	±0.50
						X.X	±0.30
						X.XX	±0.10
						X*	±1*
				SHEET: 01/01		UNIT: mm	
						SCALE: NONE	
						REV: A	