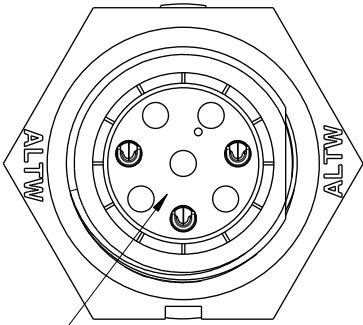


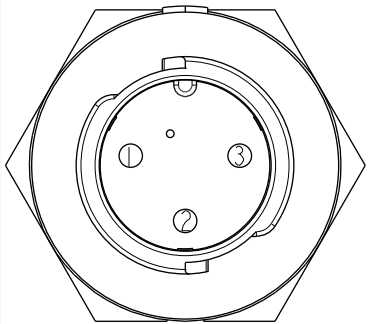
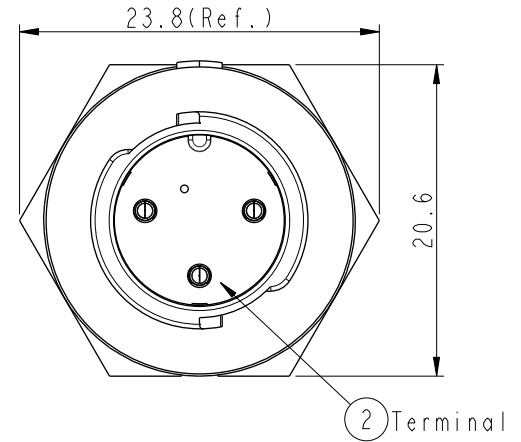
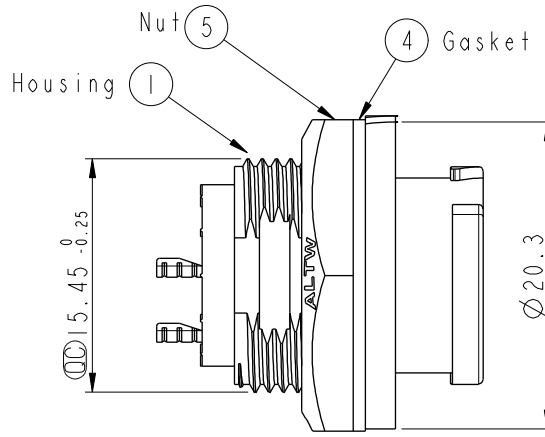
REV.	ECN NO.	DATE	SIGN	DESCRIPTION

ALTW
CONFIDENTIAL
2014-10-20
R&D DEPT.

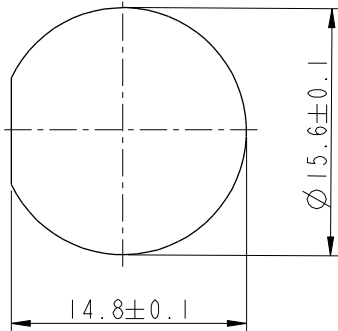


With Liquid Glue

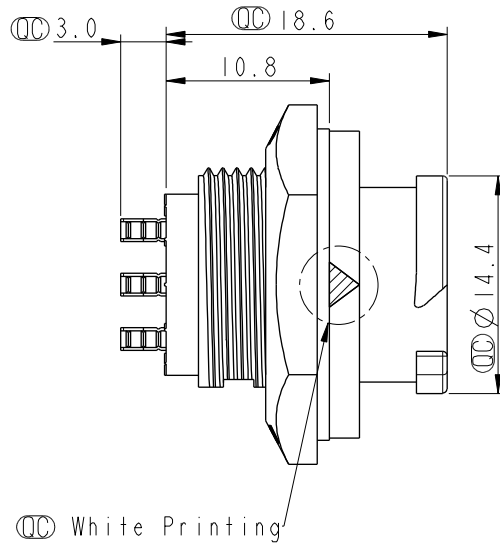
ALTW
DCC. DEPT.
CONFIDENTIAL
2014.11.26
ISSUED



Pin Assignments
Front View



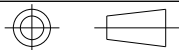
Recommended Panel Cut-out



Note:

- * \varnothing Important Dimension To Check.
- * Waterproof Rate: IP68
- * Working Voltage Rating: AC 300 V
- * Working Current Rating: 5A
- * Flame Class: UL94V-0 (UV Resistance)
- * Housing: Nylon+GF, Black
- * Male Pin: Copper Alloy, Gold Plated
- * Nut: Nylon+GF, Black
- * Gasket: Silicone, Gray
- * Panel Thickness Max: 4.5mm

UNIT:mm



TOLERANCE
X ±0.25

TITLE X Lok B-Size Receptacle M Conn M 3 Pin			
SCALE 2:1	SIZE A4	SHEET 1 OF 1	
REV. A	WC-REV. A.1	QC: Inspection item	

Amphenol LTW
安費諾亮泰企業股份有限公司

ITEM NO BD-03RMMS-QC8001	DRAWN BY Micky	DATE 2014-10-20
DWG NO BD-03RMMS-QC8001	CHECKED BY Spring	DATE 2014-10-20
CUSTOMER ALTW	APPROVED BY Kevin	DATE 2014-10-20

THIS DOCUMENT IS SUBJECT TO CHANGE WITHOUT NOTICE. IT IS CONFIDENTIAL AND A PROPERTY OF Amphenol LTW. DISCLOSURE TO THIRD PARTY HAS TO BE AUTHORIZED BY Amphenol LTW.