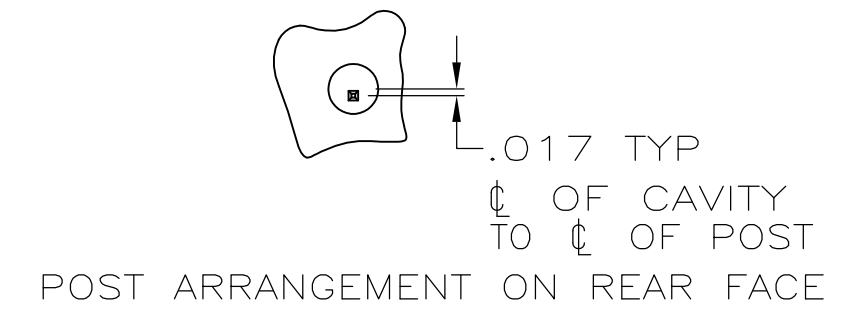
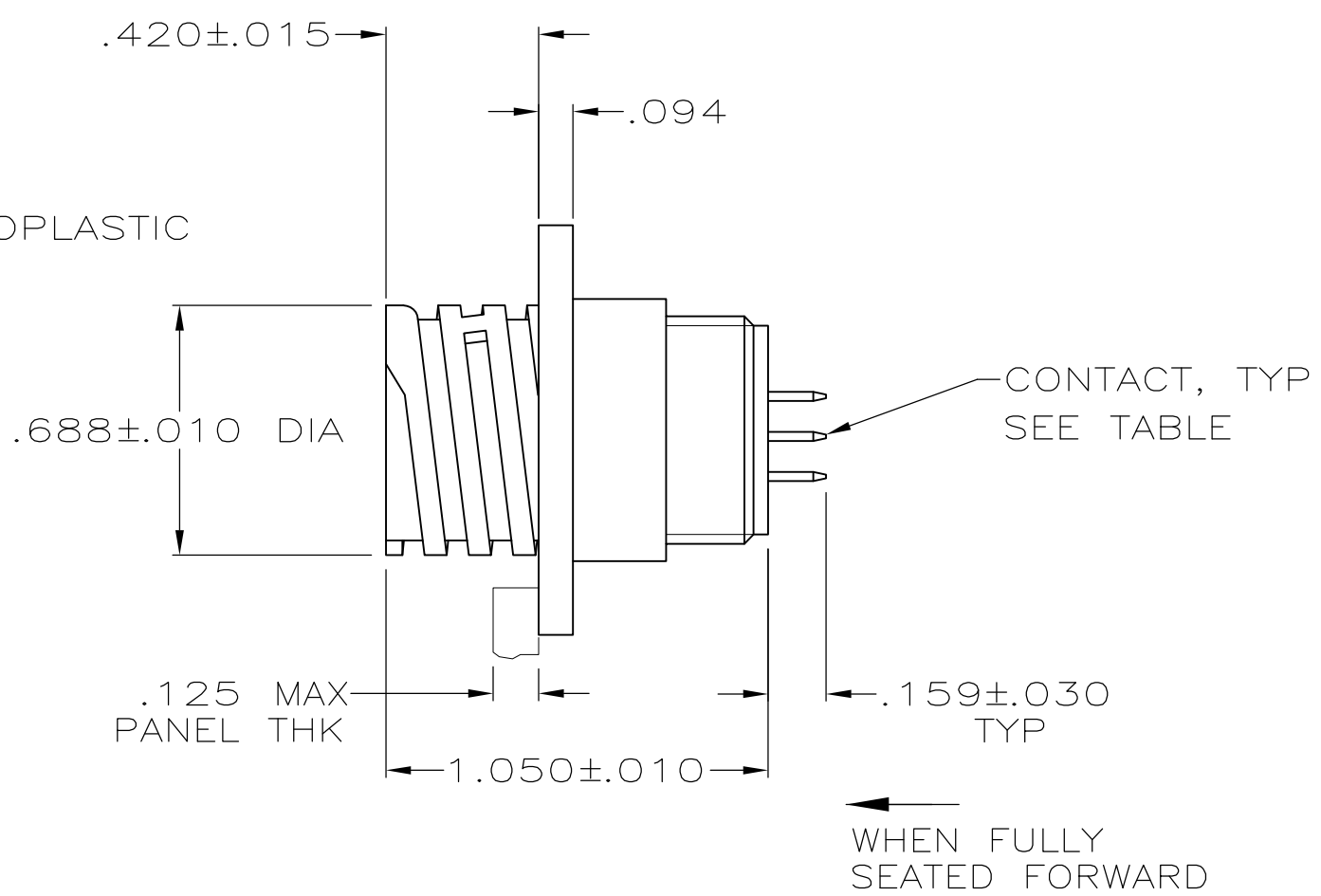
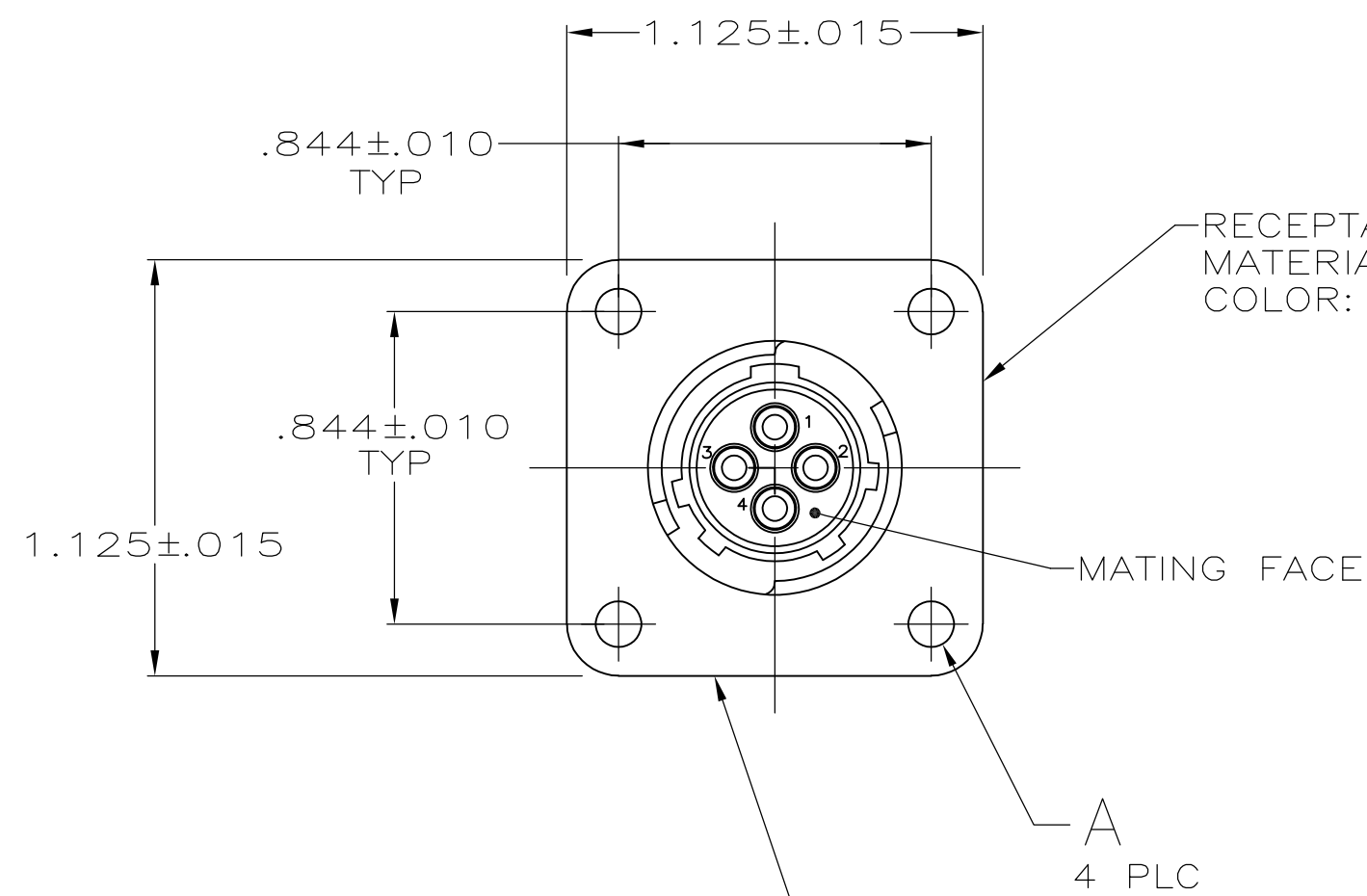


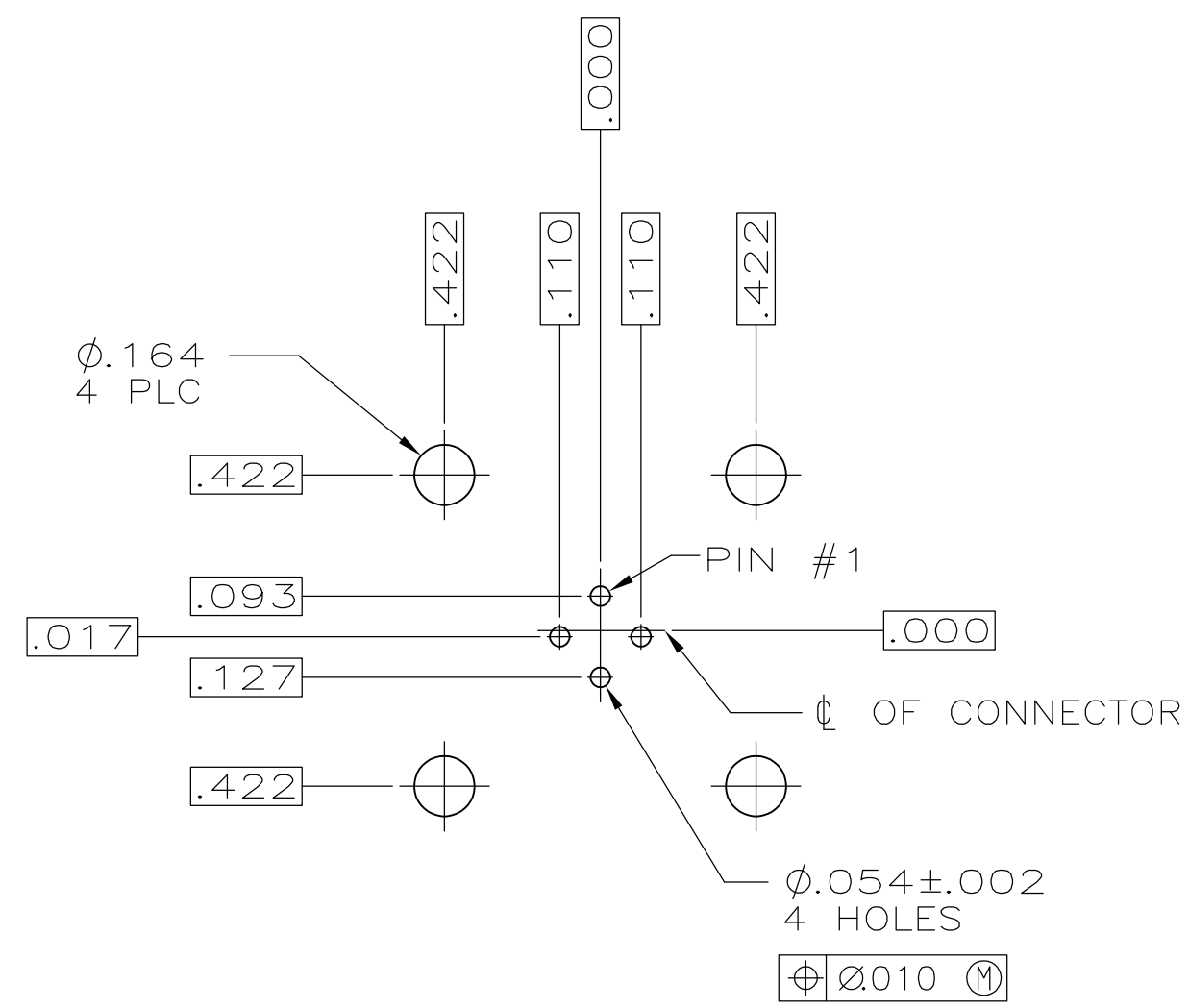
THIS DRAWING IS UNPUBLISHED. RELEASED FOR PUBLICATION
 © COPYRIGHT - By - ALL RIGHTS RESERVED.

REVISIONS					
P	LTR	DESCRIPTION	DATE	DWN	APVD
	L1	REVISED PER ECO-16-004800	10SEP2016	NK	MZ
	M	REVISED PER ECO-17-004657	05APR2017	RS	MZ



PART NUMBER AND DATE CODE MARKED ON ANY FLANGE EDGE

- ① CONTACT BODY: GOLD PLATED PER MIL-G-45204 OVER NICKEL PER QQ-N-290. CONTACT POST: TIN-LEAD PER MIL-T-10727 OVER COPPER PER MIL-C-14550A.
- ② CONTACT BODY: TIN-LEAD PLATED .000100 MIN. CONTACT POST: TIN-LEAD PLATED .000100 MIN.
- ③ CONTACT BODY: GOLD PLATED OVER NICKEL PER QQ-N-290. CONTACT POST: TIN OVER COPPER.
- ④ PRELIMINARY PART NUMBER.



RECOMMENDED P.C. BOARD LAYOUT

④	OBSOLETE	③	YES	.125 DIA	ALL	208283-8
	OBSOLETE	③	NO	.125 DIA	1,2,3	-208283-7
	OBSOLETE	③	NO	4-40UNC, INSERT, BRASS	1,3,4	208283-6
	OBSOLETE	②	NO	.125 DIA	ALL	-208283-5
		③	NO	.125 DIA	ALL	208283-4
④	OBSOLETE	①	YES	.125 DIA	ALL	208283-3
	OBSOLETE	①	NO	4-40UNC, INSERT, BRASS	1,3,4	208283-2
		①	NO	.125 DIA	ALL	208283-1

FINISH	PERIPHERAL SEAL	A	CONTACTS LOADED AT POSITION	PART NUMBER																											
THIS DRAWING IS A CONTROLLED DOCUMENT.																															
DIMENSIONS: INCHES		TOLERANCES UNLESS OTHERWISE SPECIFIED:																													
<table border="1"> <tr><td>0 PLC</td><td>± -</td></tr> <tr><td>1 PLC</td><td>± -</td></tr> <tr><td>2 PLC</td><td>± -</td></tr> <tr><td>3 PLC</td><td>± .005</td></tr> <tr><td>4 PLC</td><td>± -</td></tr> <tr><td>ANGLES</td><td>± -</td></tr> </table>		0 PLC	± -	1 PLC	± -	2 PLC	± -	3 PLC	± .005	4 PLC	± -	ANGLES	± -	<table border="1"> <tr><td>DWN</td><td>R.LEE BG</td><td>6-22-91</td></tr> <tr><td>CHK</td><td>W.G.LENKER</td><td>4-14-92</td></tr> <tr><td>APVD</td><td>-</td><td>-</td></tr> <tr><td>PRODUCT SPEC</td><td colspan="2">108-10024</td></tr> <tr><td>APPLICATION SPEC</td><td colspan="2">-</td></tr> </table>			DWN	R.LEE BG	6-22-91	CHK	W.G.LENKER	4-14-92	APVD	-	-	PRODUCT SPEC	108-10024		APPLICATION SPEC	-	
0 PLC	± -																														
1 PLC	± -																														
2 PLC	± -																														
3 PLC	± .005																														
4 PLC	± -																														
ANGLES	± -																														
DWN	R.LEE BG	6-22-91																													
CHK	W.G.LENKER	4-14-92																													
APVD	-	-																													
PRODUCT SPEC	108-10024																														
APPLICATION SPEC	-																														
MATERIAL		FINISH																													
-		-																													
CUSTOMER DRAWING		SCALE 1:1 SHEET 1 OF 1 REV M																													



RECEPTACLE ASSEMBLY, POSTED, REV SEX, SERIES 1, 11-4, CPC

SIZE A2 CAGE CODE 00779 C=208283 RESTRICTED TO