

5

4

3

2

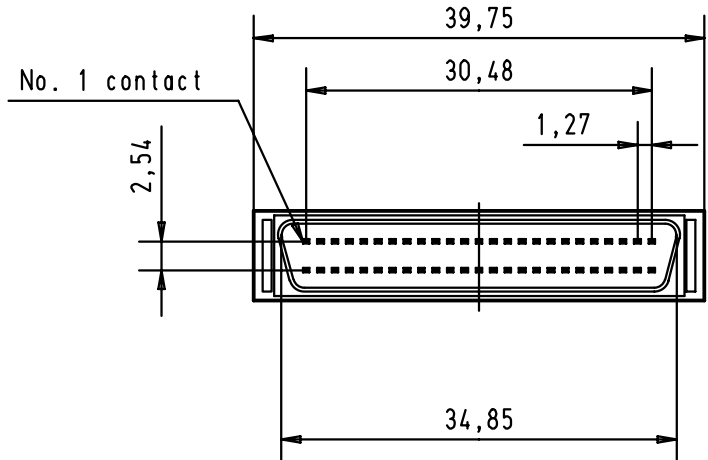
1

D

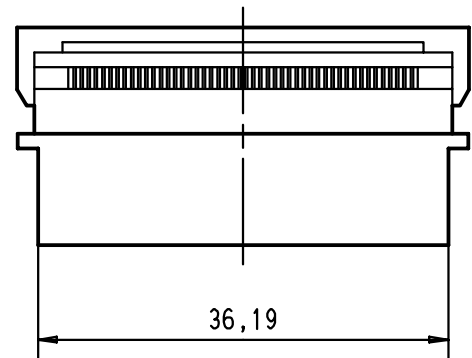
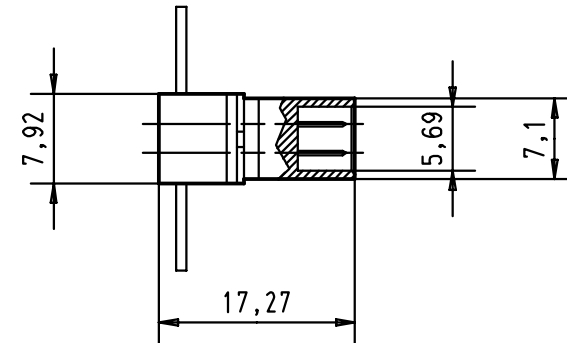
C



B

A



verrastet
fitted
assemble



				Dat.	Name	 All Dim. in mm Orig. Size DIN A 4	har.mik® Intra cabinet Pin/Socket SCSI 2 - SCSI 3 50 poles IDC male connector	Maßstab/ Scale 1,5:1
			Detail.	30-AUG-00	Alspace			
			Insp.					
			Stand.					
27941	30-AUG-00	Alspace	HARTING EURL F-95972 Paris				TB 60 06 050 5440	Blatt/ Page 1 / 1
Mod.	Dat.	Name	Sub.					