

4

3

2

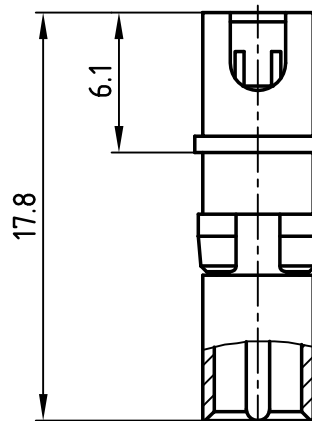
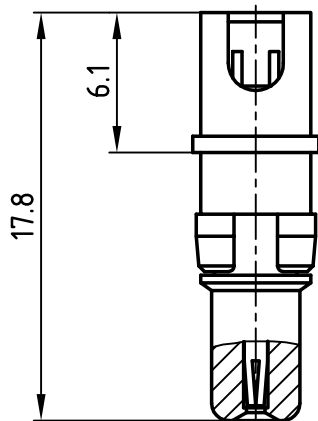
1

used for:

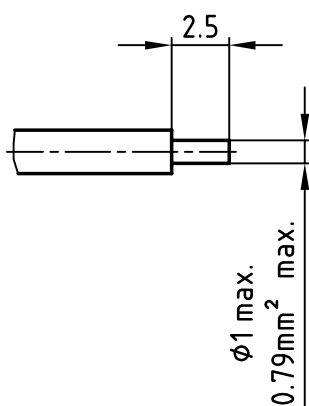
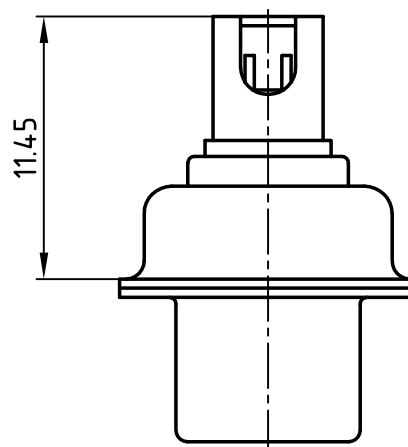
DIN EN 60603

Plug contact  
131J14519X

Socket contact  
132J14519X



Directive 2002/95/EC  
„RoHS“  
Compliant



(b) MATERIAL:

- (c) 1. INSULATOR: PLUG CONTACT: PTFE; BLUE  
SOCKET CONTACT: PTFE; WHITE  
2. CONTACT: COPPER ALLOY; GOLD PLATED  
3. RETAINING RING: COPPER ALLOY; NICKEL PLATED

THIS DRAWING MAY NOT BE COPIED OR  
REPRODUCED IN ANY WAY, AND MAY NOT  
BE PASSED ON TO A THIRD PARTY WITHOUT  
WRITTEN PERMISSION.

OWNERSHIP AND COPYRIGHT OF CONEC GmbH

DO NOT ALTER CAD DRAWING BY HAND

rev.	description	date	name
1 x c	Ä 3527	14.12.2009	Henneb.
1 x b	Ä 2434	01.02.2006	Lehmen.
a	Origin		

tolerance



scale:

3:1

material:

SEE DRAWING

title:

**HIGH VOLTAGE CONTACT**  
for solder angled  
Socket contact + plug contact

dwg no:

AutoCAD 2000

DIN-A

**13K1A569**

4

sh: 1/1

part no:

SEE DRAWING

4

3

2

1

**CONEC**<sup>®</sup>