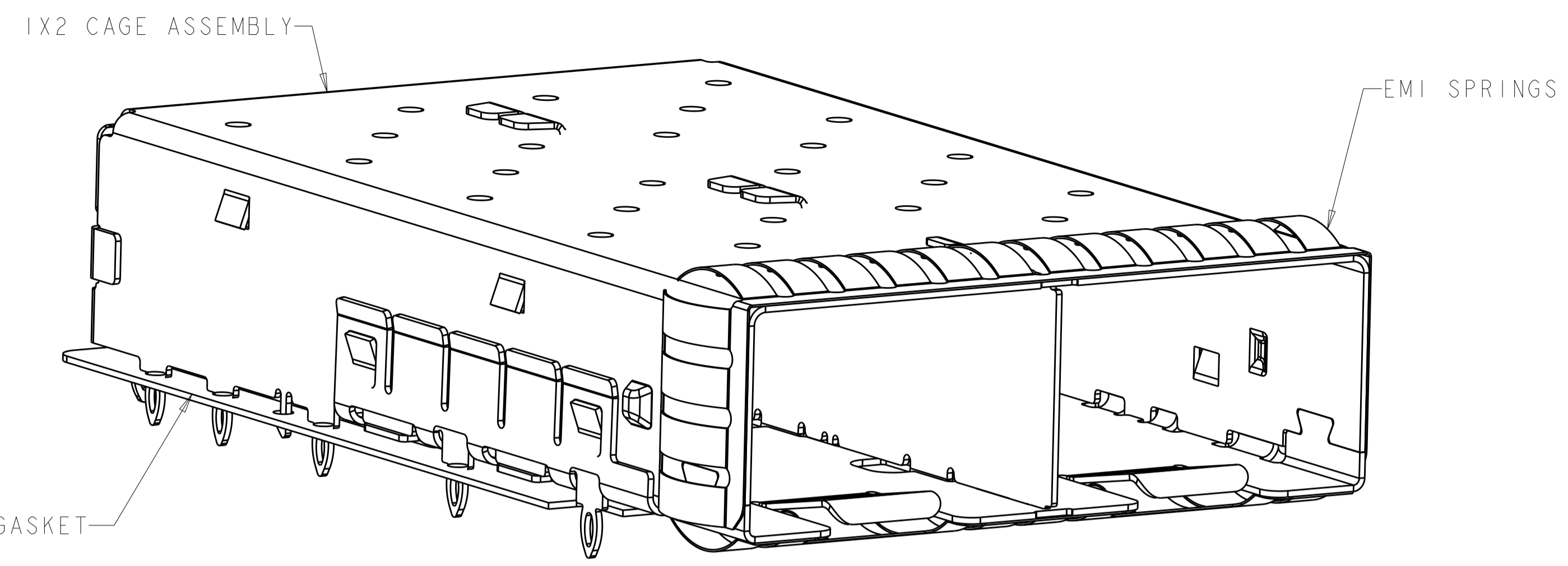
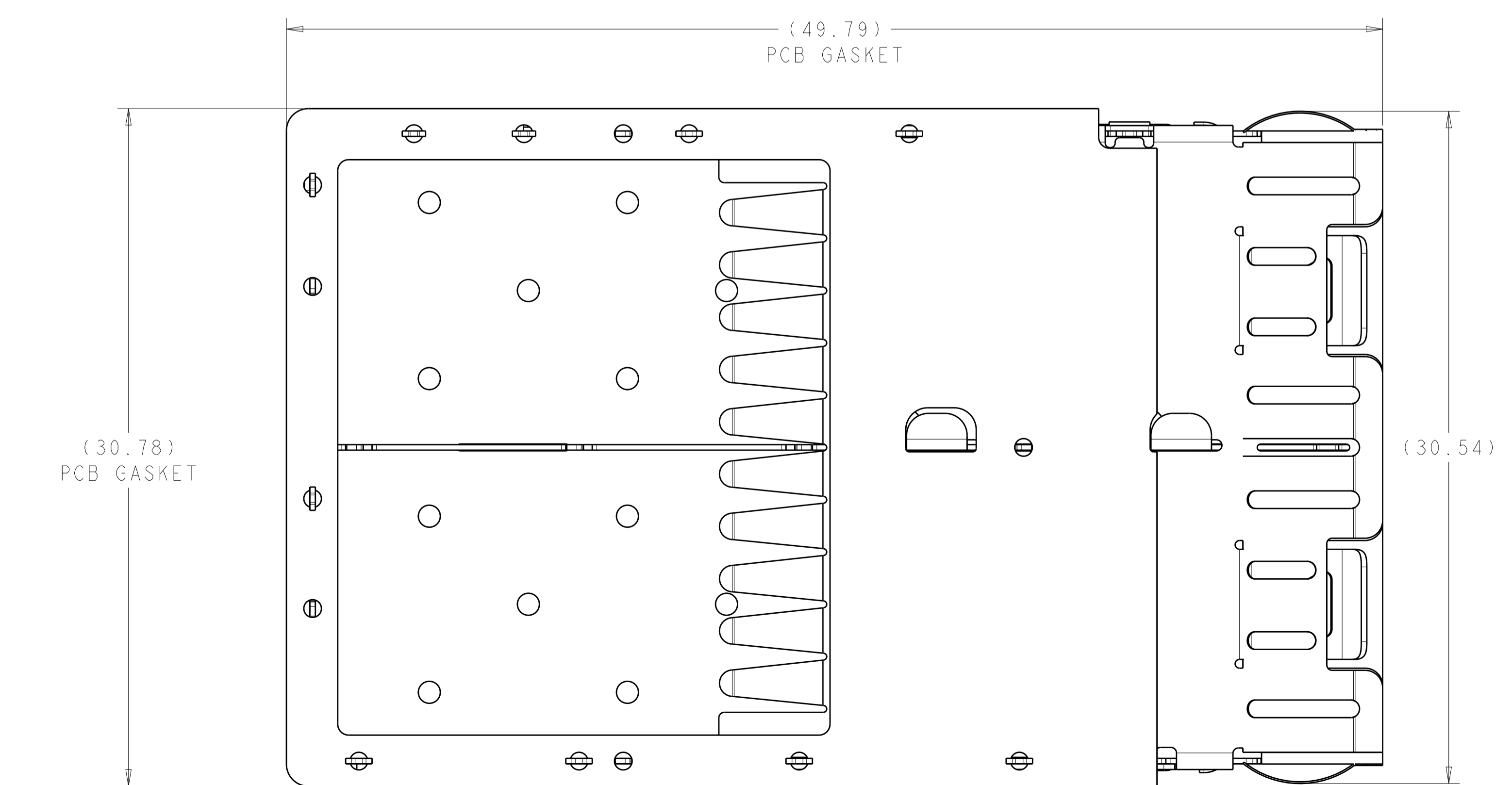
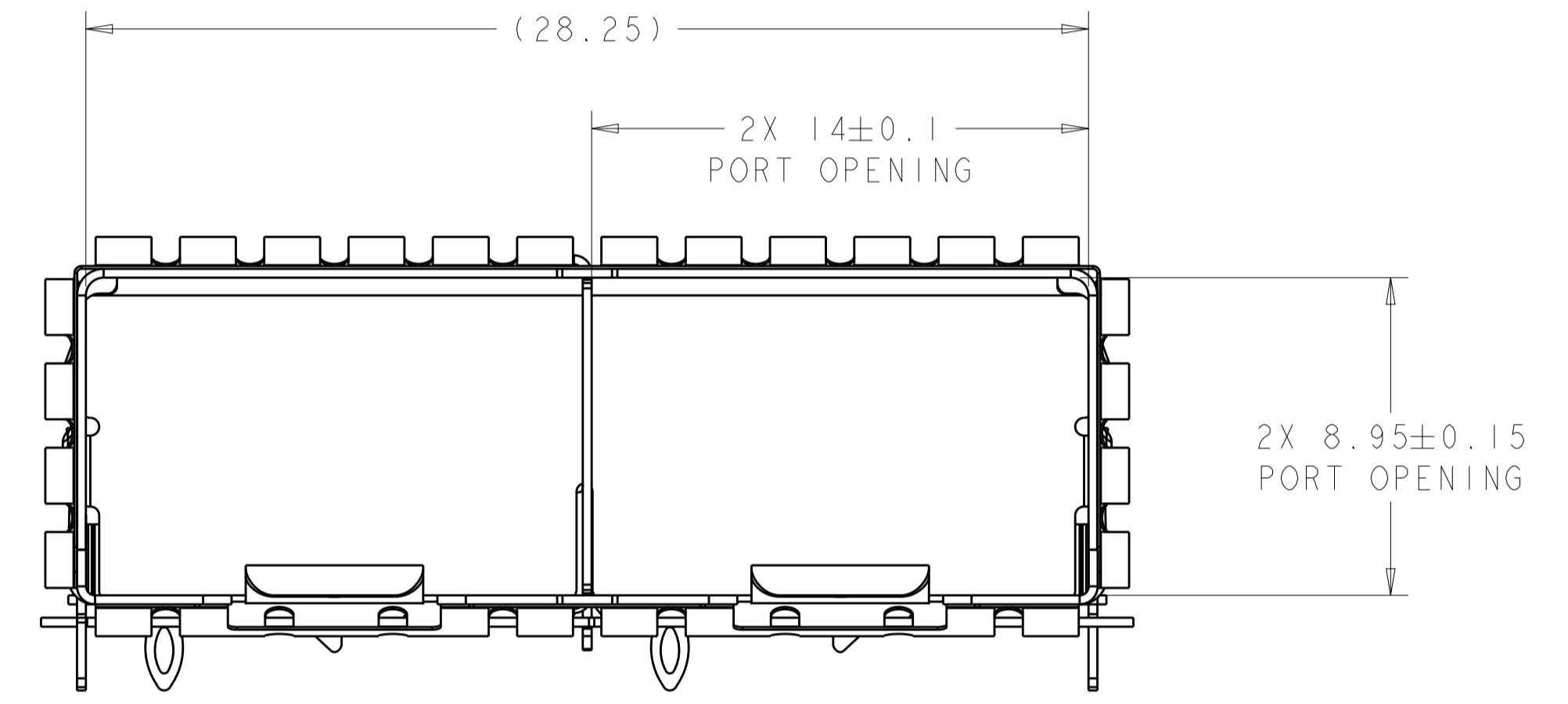
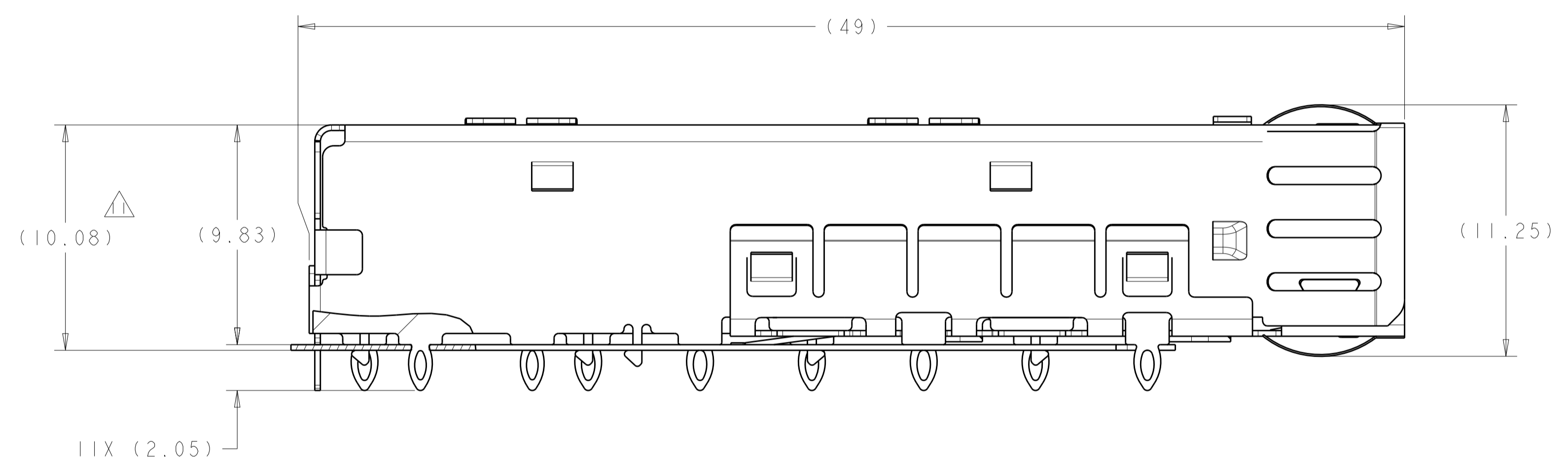


LOC	DIST	REVISIONS			
P	LTN	DESCRIPTION	DATE	DMN	APVD
A		REVISED PER ECO-15-002647	05MAR2015	AP	MS
B		REVISED PER ECO-16-014593	13FEB2017	JW	SH



- 1. MATERIAL:  
 CAGE ASSEMBLY: NICKEL SILVER ALLOY  
 EMI SPRINGS: COPPER ALLOY  
 PCB GASKET: RF ABSORBER
- 2. MINIMUM PC BOARD THICKNESS:  
 SINGLE SIDED = 1.45mm  
 BELLY TO BELLY = 2.25mm
- 3. PADS AND VIAS CHASSIS GROUND
- 4. DATUM AND BASIC DIMENSION ESTABLISHED BY CUSTOMER
- 5. MATES WITH SFP MSA COMPLIANT TRANSCEIVERS
- 6. INTERPRETATION OF DATUM REFERENCE FRAME IN ACCORDANCE WITH SECT 4.4.1.1 OF ASME Y14.5M-1994
- 7. REFERENCE APPLICATION SPEC. 114-13120, HOLE A, FOR RECOMMENDED DRILL HOLE DIAMETER AND PLATING THICKNESS
- 8. REFERENCE APPLICATION SPEC. 114-13120, HOLE B, FOR RECOMMENDED DRILL HOLE DIAMETER AND PLATING THICKNESS
- 9. HOLE PATTERN REPEATS FOR EACH PORT, SPACING BETWEEN PORTS IS 14.25mm
- 10. PRODUCT COMPLIES WITH SPECIFICATION SFF-8433, IMPROVED PLUGGABLE FORM FACTOR FOR SFP+ GANGED CAGES
- 11. CONTACT STANDOFF WILL PIERCE GASKET WHEN PROPERLY PRESSED INTO PCB.



NO	2227728-3
YES	2227728-1
PCB GASKET	PART NUMBER

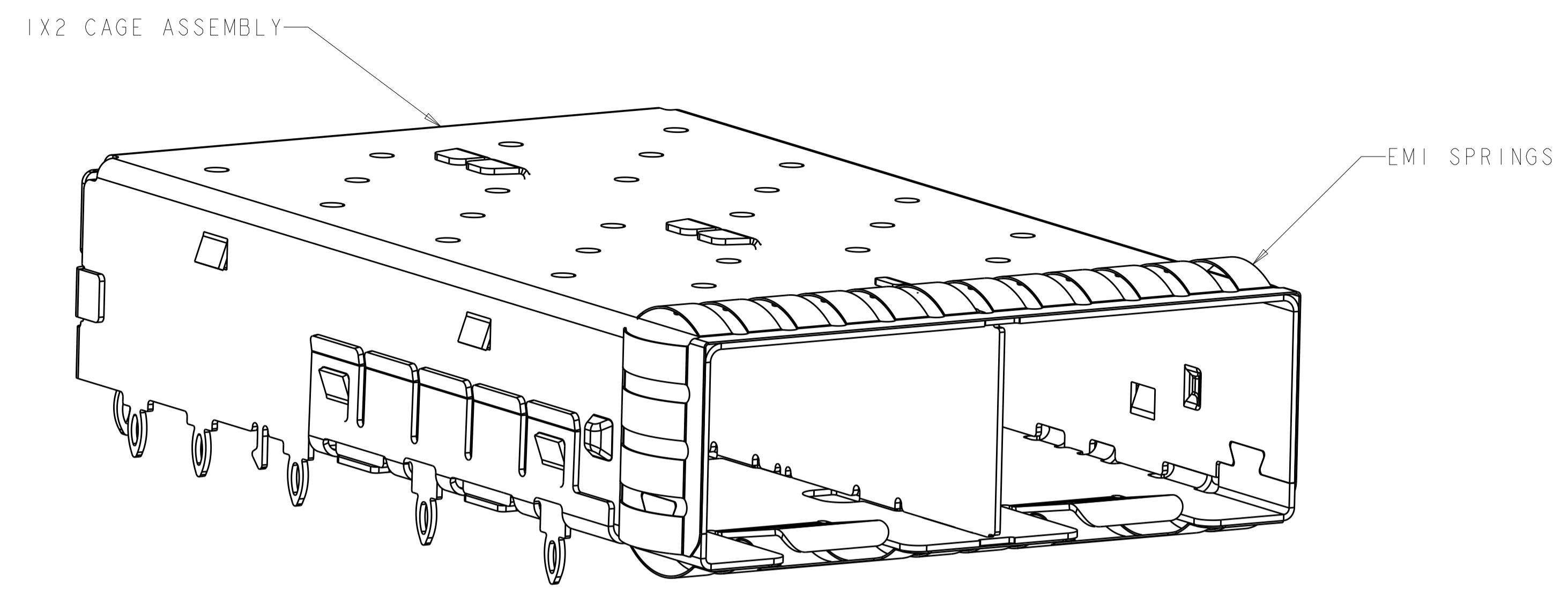
THIS DRAWING IS A CONTROLLED DOCUMENT.

DIMENSIONS:	TOLERANCES UNLESS OTHERWISE SPECIFIED:	DMN	M. E. CONNER	08FEB2013
mm	0 PLC ±0.25	CHK	M. MORRISON	08FEB2013
	1 PLC ±0.25	APVD	M. PHILLIPS	08FEB2013
	2 PLC ±0.25	NAME		
	3 PLC ±0.25	PRODUCT SPEC		
	4 PLC ±0.25	108-2364		
	ANGLES ±0.25	APPLICATION SPEC		
		114-13120		
MATERIAL	FINISH	SIZE	CAGE CODE	DRAWING NO
SEE NOTES	SEE NOTES	A1	00779	C=2227728
Customer Drawing		WEIGHT		RESTRICTED TO
		SCALE	6:1	SHEET 1 OF 5
		REV	B	

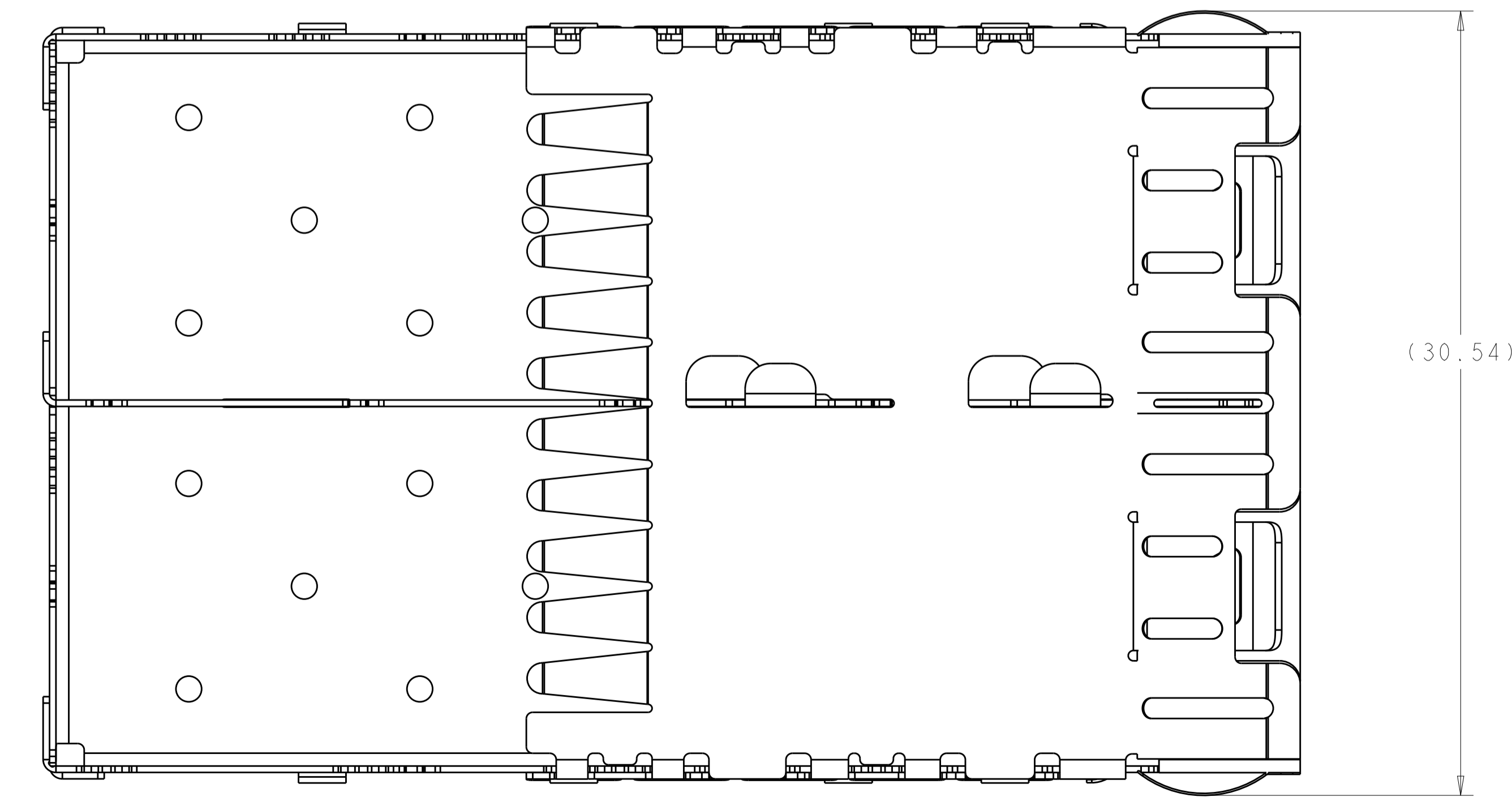
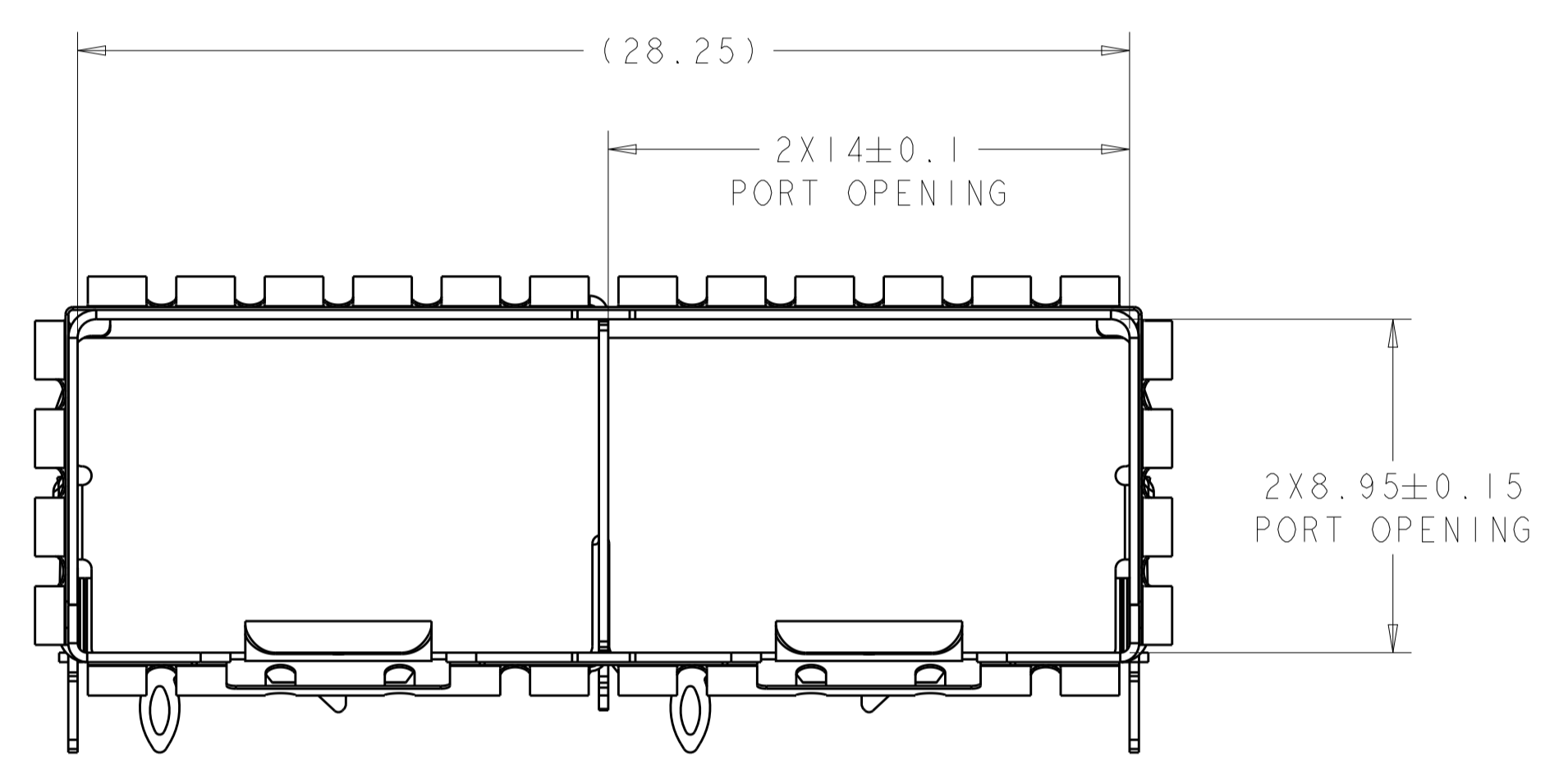
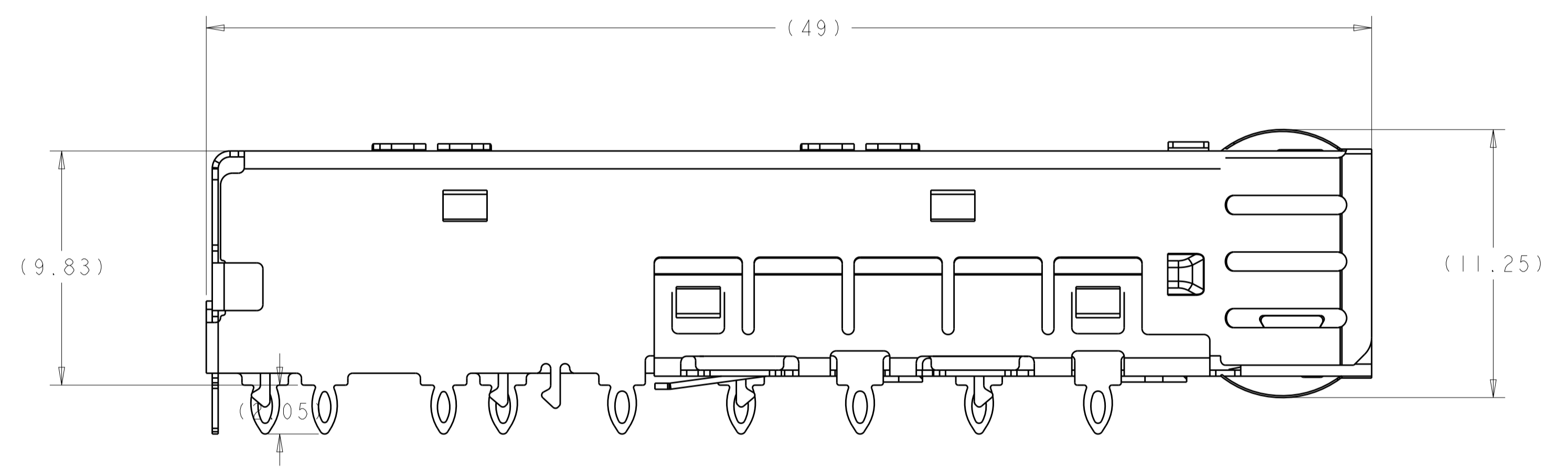
**PRELIMINARY**

CAGE ASSEMBLY WITH EMI SPRINGS  
 PRESS-FIT, 1X2, zSFP+

LOC	DIST	REVISIONS			
P	LTN	DESCRIPTION	DATE	DWN	APVD
GP	00	- SEE SHEET 1			

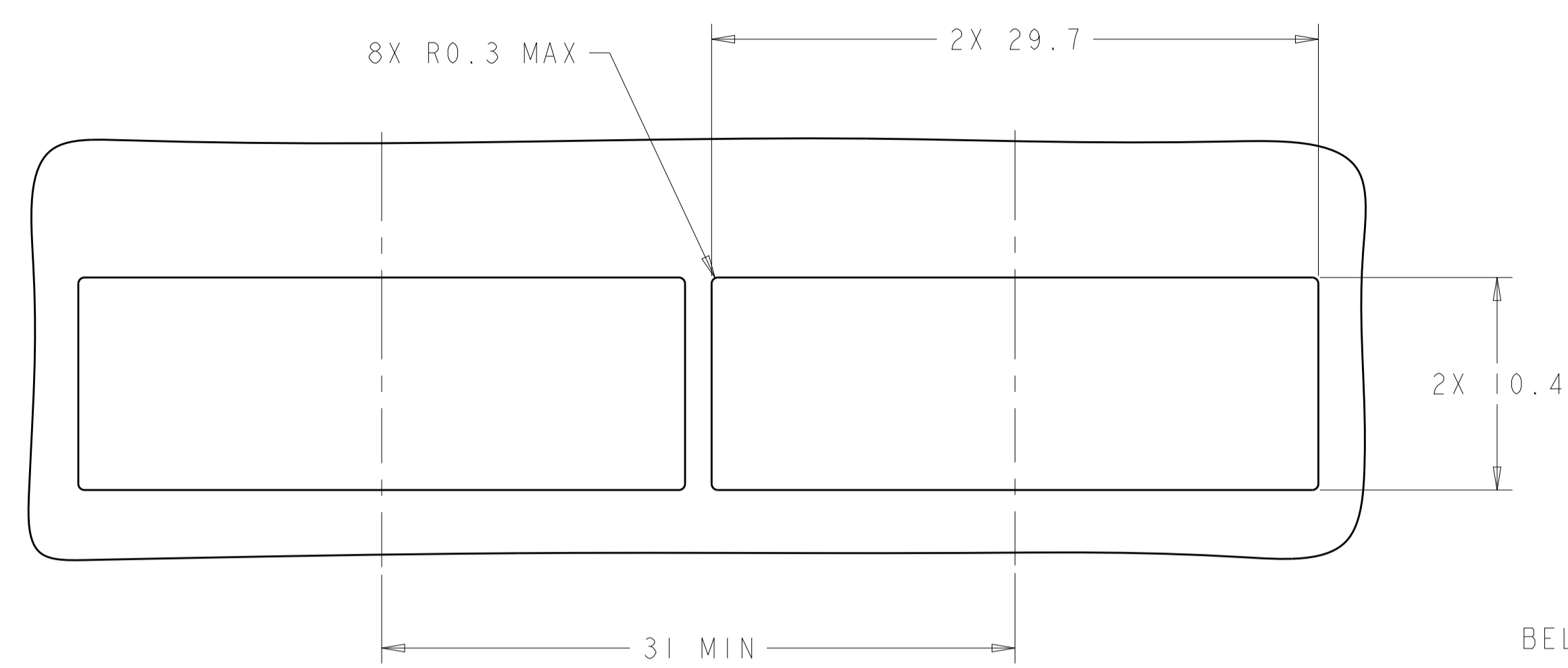


2227728-3

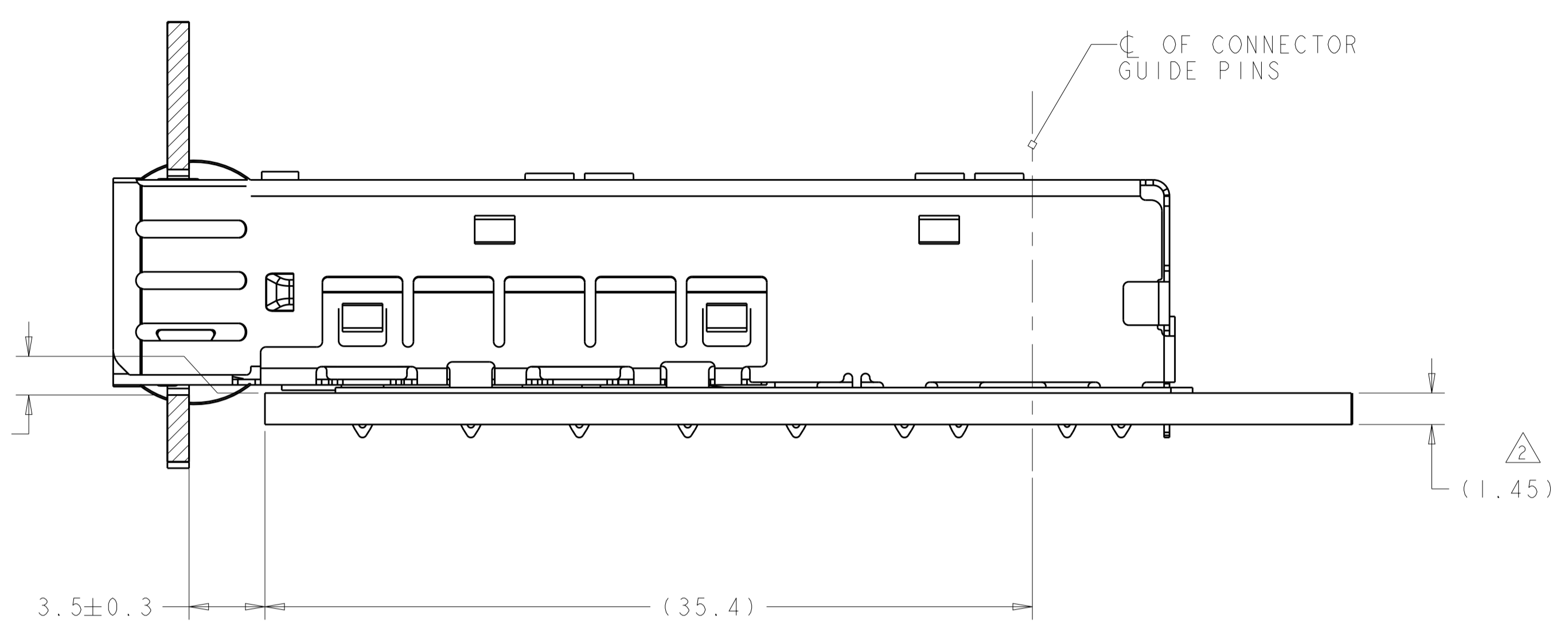


THIS DRAWING IS A CONTROLLED DOCUMENT.		DWN: M.E. CONNER 08FEB2013	
DIMENSIONS: mm		CHK: M.D. MORRISON 08FEB2013	
TOLERANCES UNLESS OTHERWISE SPECIFIED:		APVD: M.J. PHILLIPS 08FEB2013	NAME: CAGE ASSEMBLY WITH EMI SPRINGS, PRESS-FIT, 1X2, zSFP+
0 PLC	±0.25	PRODUCT SPEC	108-2364
1 PLC	±0.25	APPLICATION SPEC	114-13120
2 PLC	±0.25	WEIGHT	-
3 PLC	±0.25	RESTRICTED TO	-
4 PLC	±0.25	SCALE	6:1
ANGLES	±0.25	SHEET	2 OF 5
MATERIAL: SEE NOTES	FINISH: SEE NOTES	Customer Drawing	REV B

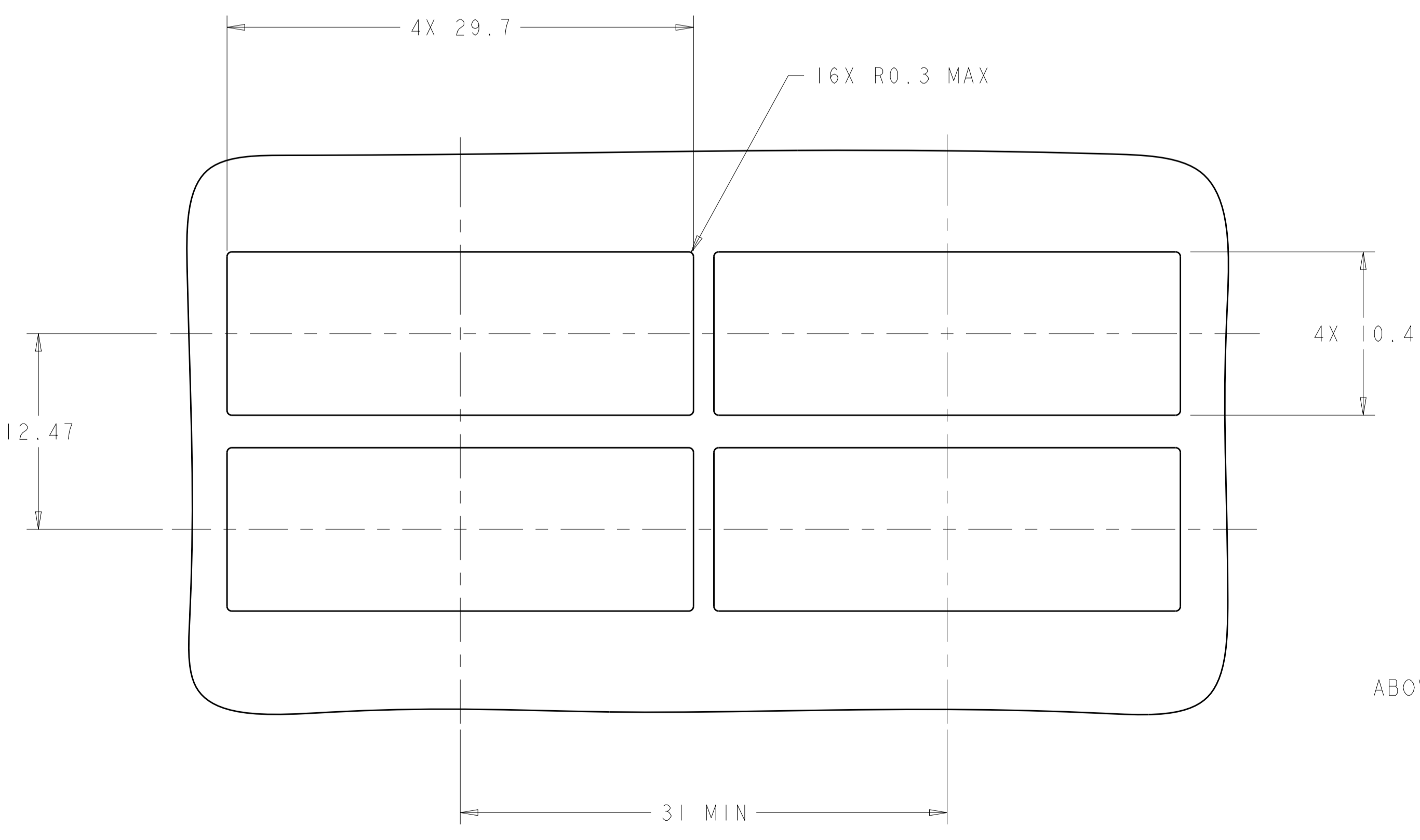
LOC		DIST		REVISIONS			
GP	00	P	LTN	DESCRIPTION	DATE	DMN	APVD
		-		SEE SHEET 1	-	-	-



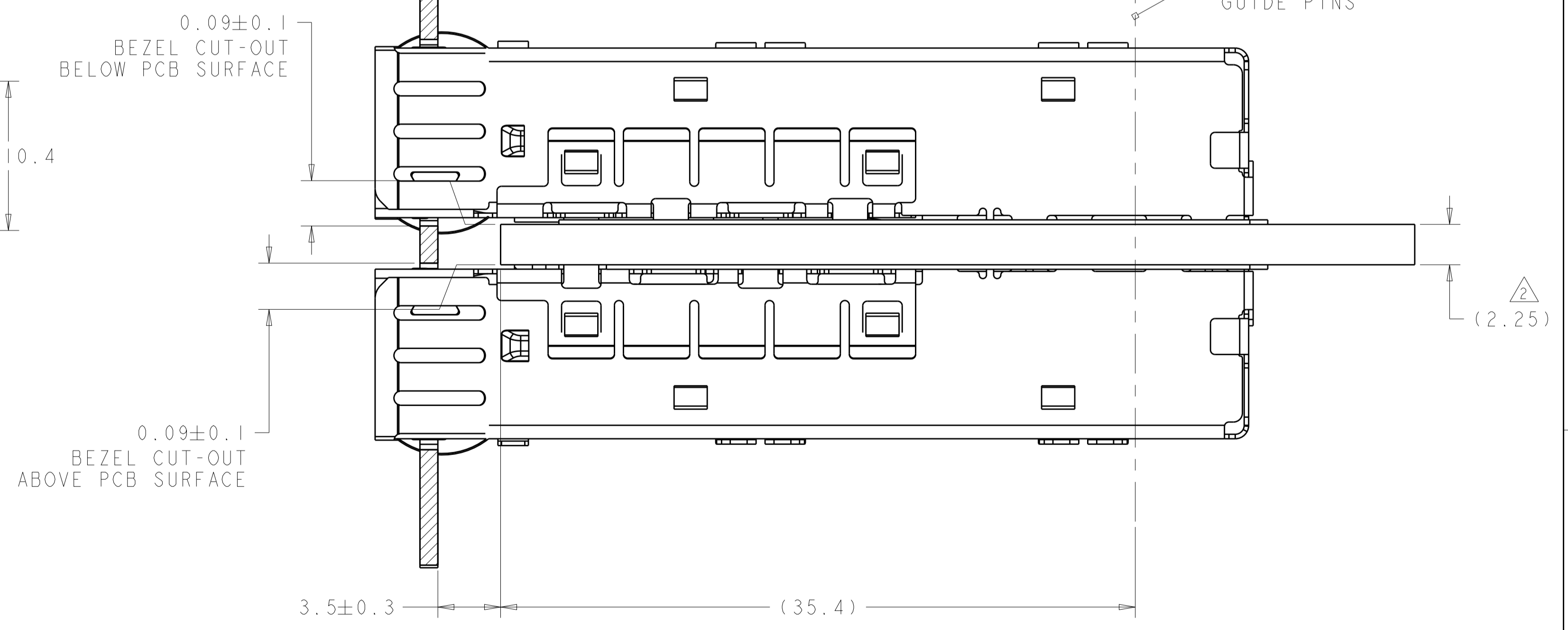
RECOMMENDED BEZEL CUT-OUT  
 SINGLE SIDED APPLICATIONS  
 SCALE 4:1



MOUNTED ON PC BOARD  
 SHOWN THRU RECOMMENDED BEZEL  
 SCALE 5:1



RECOMMENDED BEZEL CUT-OUT  
 BELLY TO BELLY APPLICATIONS  
 SCALE 4:1

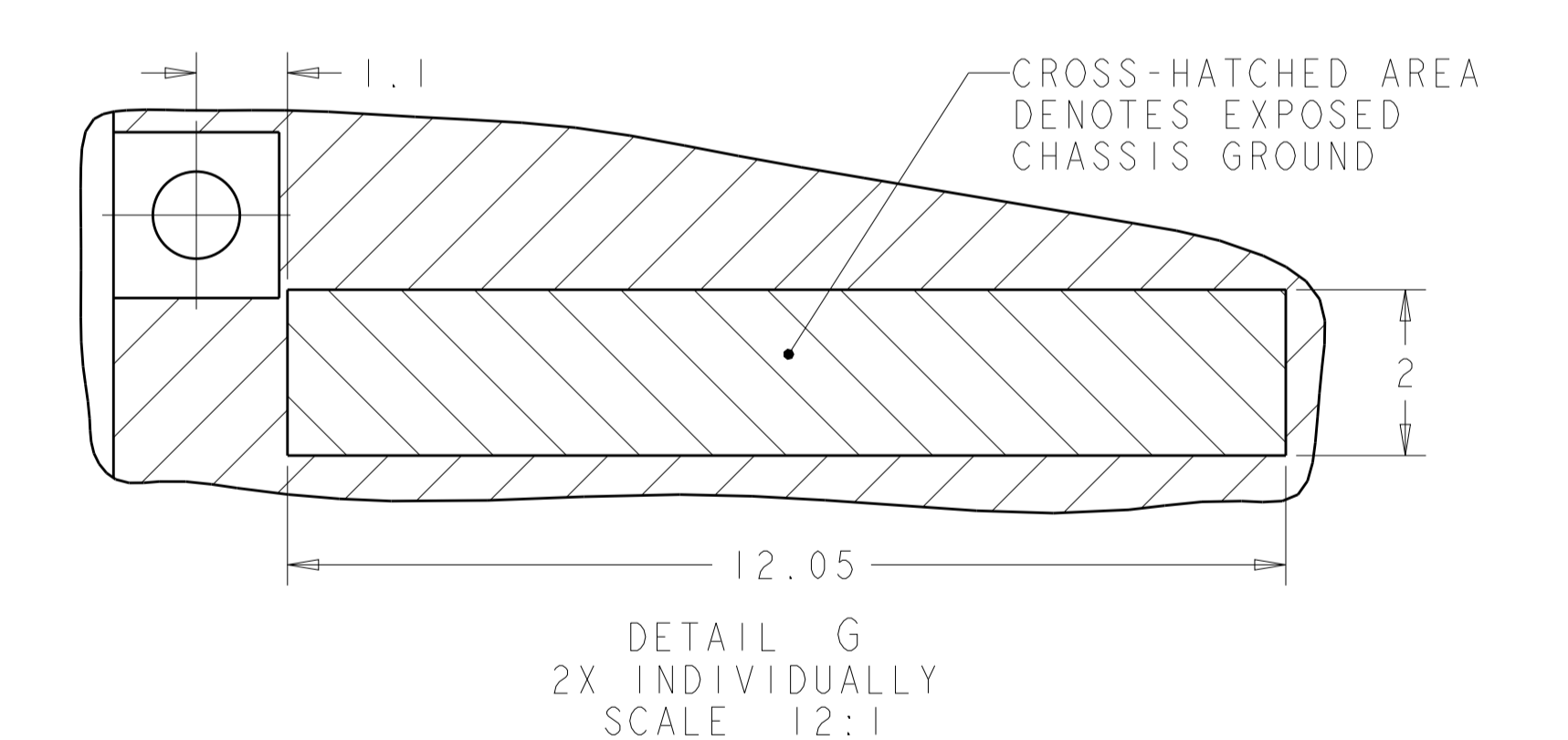
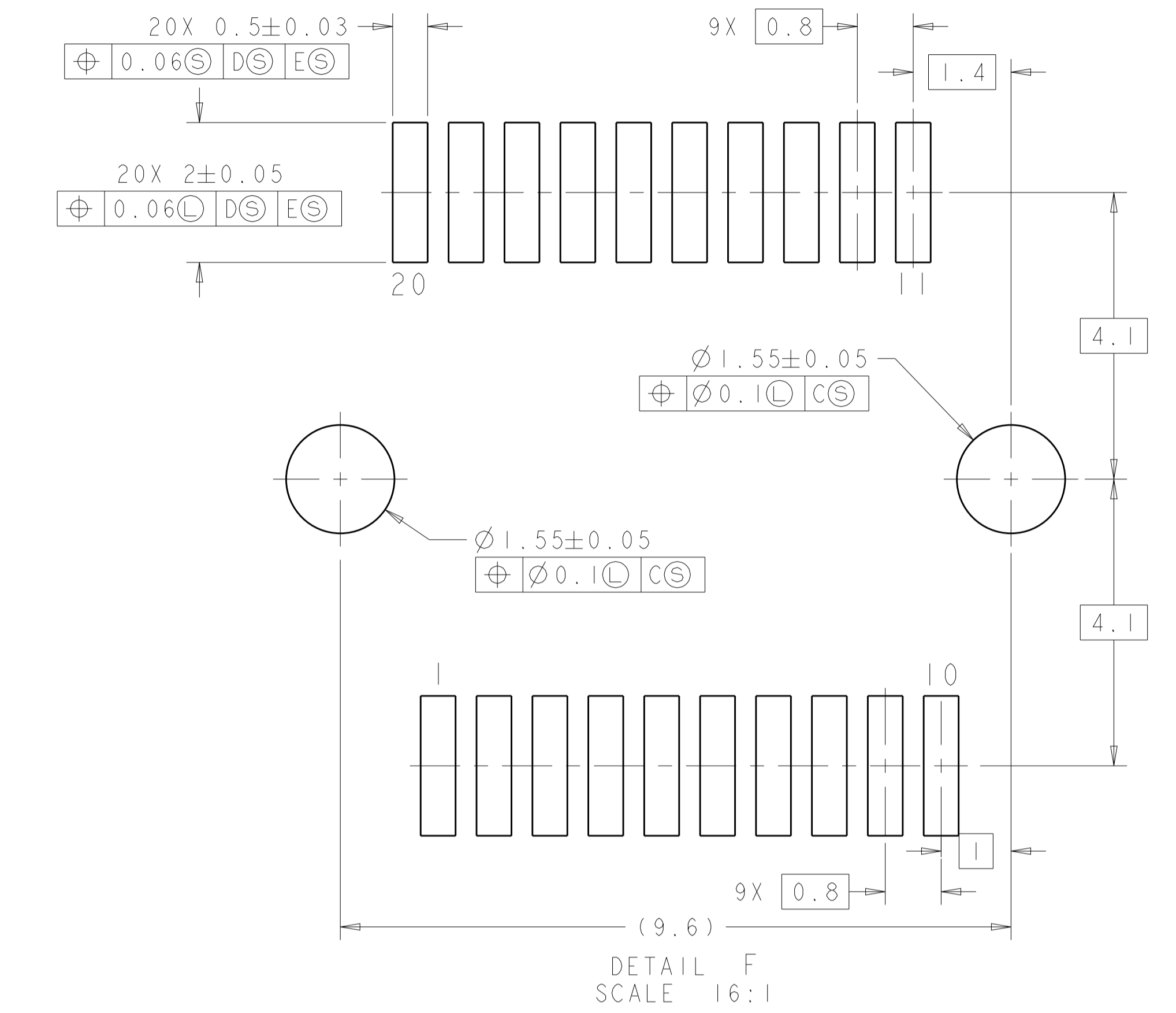
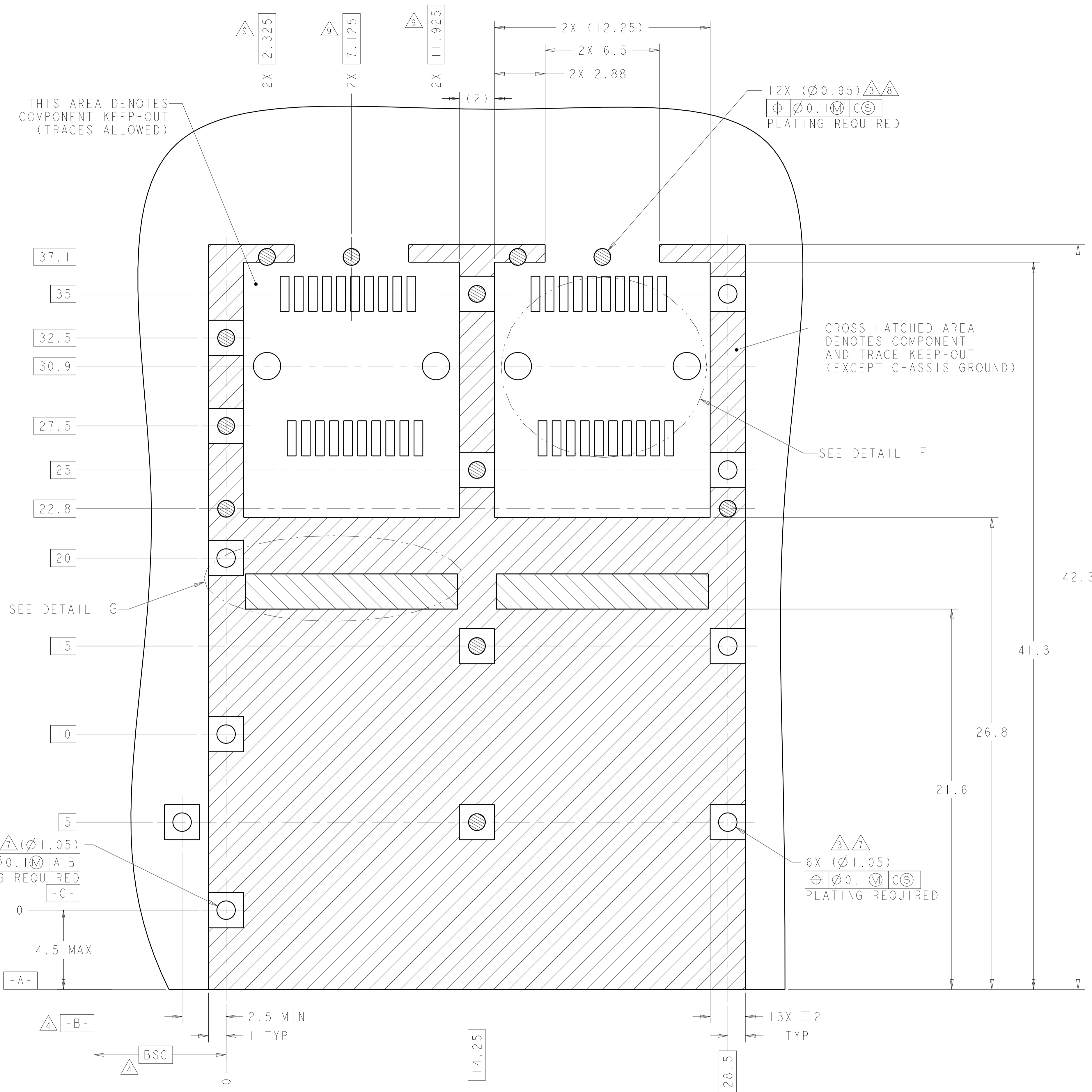


MOUNTED BELLY TO BELLY ON PC BOARD  
 SHOWN THRU RECOMMENDED BEZEL  
 SCALE 5:1

THIS DRAWING IS A CONTROLLED DOCUMENT.		DMN	M. E. CONNER	08FEB2013	TE Connectivity
DIMENSIONS:		CHK	M. D. MORRISON	08FEB2013	
mm		APVD	M. J. PHILLIPS	08FEB2013	
0 PLC ±0.1 1 PLC ±0.1 2 PLC ±0.08 3 PLC ±0.05 4 PLC ±0.05 ANGLES ±1°		TOLERANCES UNLESS OTHERWISE SPECIFIED: PRODUCT SPEC 108-2364 APPLICATION SPEC 114-13120 WEIGHT -		NAME CAGE ASSEMBLY WITH EMI SPRINGS, PRESS-FIT, 1X2, zSFP+	
MATERIAL SEE NOTES		FINISH SEE NOTES		SIZE CAGE CODE DRAWING NO A100779C=2227728	RESTRICTED TO Customer Drawing
				SCALE 6:1	SHEET 3 OF 5
				REV B	

LOC	DIST	REV	DATE	BY	APPV
GP	00				

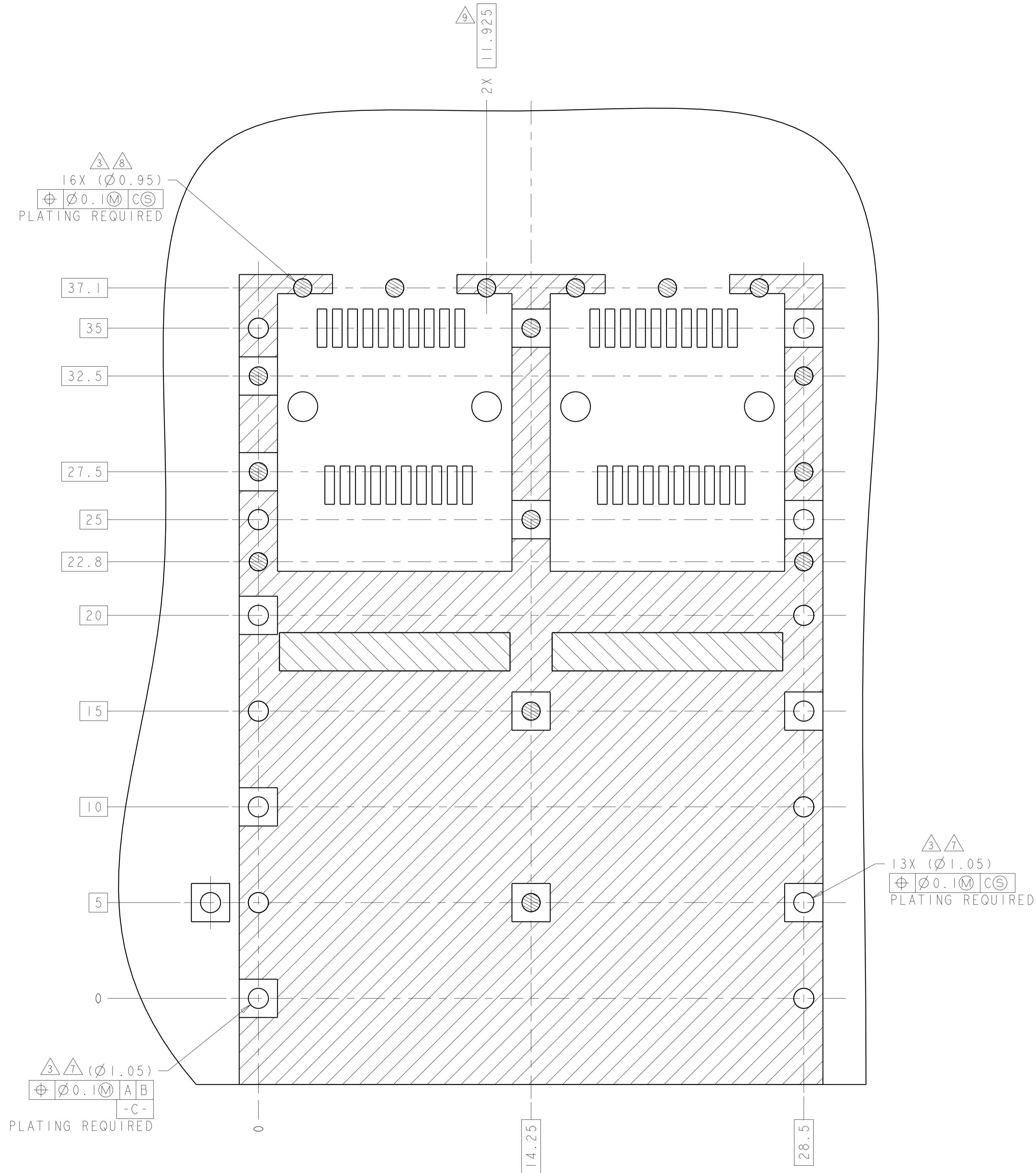
REVISIONS			
REV	DATE	BY	APPV
-	-	-	-
-	-	-	-



RECOMMENDED PCB CONFIGURATION  
 WITH KEEP-OUTS FOR SINGLE SIDE APPLICATIONS  
 SCALE 8:1

THIS DRAWING IS A CONTROLLED DOCUMENT.		OWN: M.E. CONNER 08FEB2013	TE Connectivity
DIMENSIONS: mm		CHK: M.D. MORRISON 08FEB2013	
TOLERANCES UNLESS OTHERWISE SPECIFIED:		APVD: M.J. PHILLIPS 08FEB2013	NAME: CAGE ASSEMBLY WITH EMI SPRINGS, PRESS-FIT, 1X2, zSFP+
0 PLC ±0.1	1 PLC ±0.1	PRODUCT SPEC: 108-2364	SIZE: CAGE CODE DRAWING NO: A100779C=2227728
2 PLC ±0.08	3 PLC ±0.05	APPLICATION SPEC: 114-13120	RESTRICTED TO: -
4 PLC ±0.05	ANGLES ±1*	WEIGHT: -	SCALE: 6:1 SHEET 4 OF 5 REV B
MATERIAL: SEE NOTES	FINISH: SEE NOTES	Customer Drawing	

LOC	DIST	REVISIONS			
P	LTN	DESCRIPTION	DATE	DWN	APVD
-	-	SEE SHEET 1	-	-	-



RECOMMENDED PCB CONFIGURATION  
 WITH KEEP-OUTS FOR BELLY TO BELLY APPLICATIONS  
 SAME AS SINGLE SIDE APPLICATION, EXCEPT AS SHOWN  
 SCALE 8:1

THIS DRAWING IS A CONTROLLED DOCUMENT.		DWN: M.E. CONNER 08FEB2013	TE Connectivity
DIMENSIONS: mm		CHK: M.D. MORRISON 08FEB2013	
TOLERANCES UNLESS OTHERWISE SPECIFIED: 0 PLC ±0.1 1 PLC ±0.1 2 PLC ±0.08 3 PLC ±0.05 4 PLC ±0.05 ANGLES ±1°		APVD: M.J. PHILLIPS 08FEB2013	NAME: CAGE ASSEMBLY WITH EMI SPRINGS, PRESS-FIT, 1X2, zSFP+
MATERIAL: SEE NOTES		PRODUCT SPEC: 108-2364	SIZE: A1
FINISH: SEE NOTES		APPLICATION SPEC: 114-13120	CAGE CODE: 00779
		WEIGHT: -	DRAWING NO: 2227728
		Customer Drawing	SCALE: 8:1 SHEET 5 OF 5 REV B