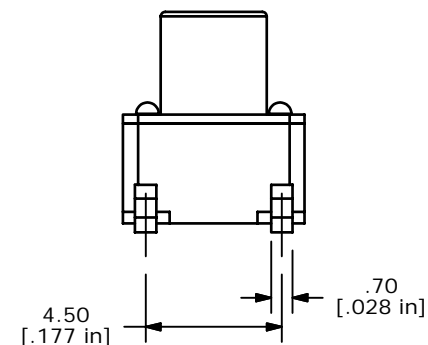
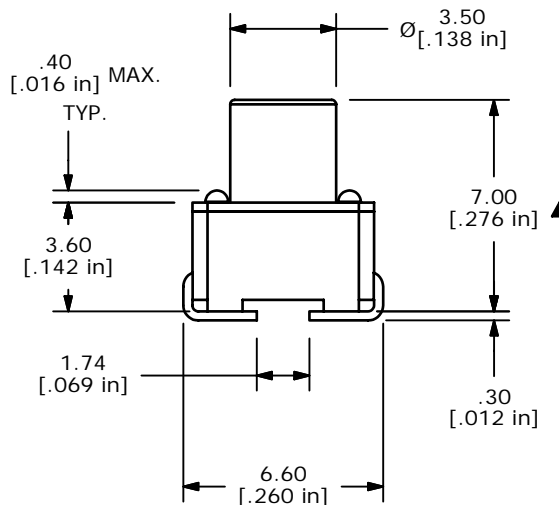
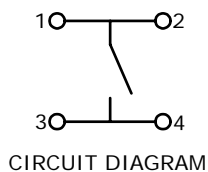


ISOMETRIC



NOTES:

1. ALL DIMENSIONS IN MM
2. GENERAL TOLERANCE: X.X=±0.4
X.XX=±0.25
3. TERM. NOS. FOR REFERENCE ONLY.
4. RATING: 12VDC, 50mA
- ▲ 5. OPERATING FORCE: 65 GRAMS
6. TRAVEL: 0.25mm ±0.1
7. CONTACT RESISTANCE: 50 MILLI OHMS MAX. (INITIAL)
8. LIFE: 5 MILLION CYCLES
- ▲ 9. SILVER CONTACTS
- ▲ 10. PACKAGE: POLYBAG/750 PIECES PER
11. ▲ DENOTES CRITICAL PARAMETER
12. 2002/95/EC (ROHS) COMPLIANT

| | | | | |
|-----|--------|-------------------------|------------|----|
| C | 16947 | FIXED PACKAGE | 1/31/07 | TN |
| B | 16935 | ADDED 3.50 DIA DIM. | 1/29/07 | TN |
| A | 16548 | RELEASED FOR PRODUCTION | 11/02/2006 | TN |
| REV | PCR NO | DESCRIPTION | DATE | BY |

E-SWITCH®

TITLE LL3301FF065QJ

| | | | | |
|-------|-----------|----|---------|-----|
| SCALE | DATE | DR | DWG | REV |
| 4:1 | 1/31/2007 | TN | P010456 | C |

THE INFORMATION CONTAINED IN THIS DOCUMENT IS PROPRIETARY TO E-SWITCH AND IS NOT TO BE COPIED OR TRANSFERRED