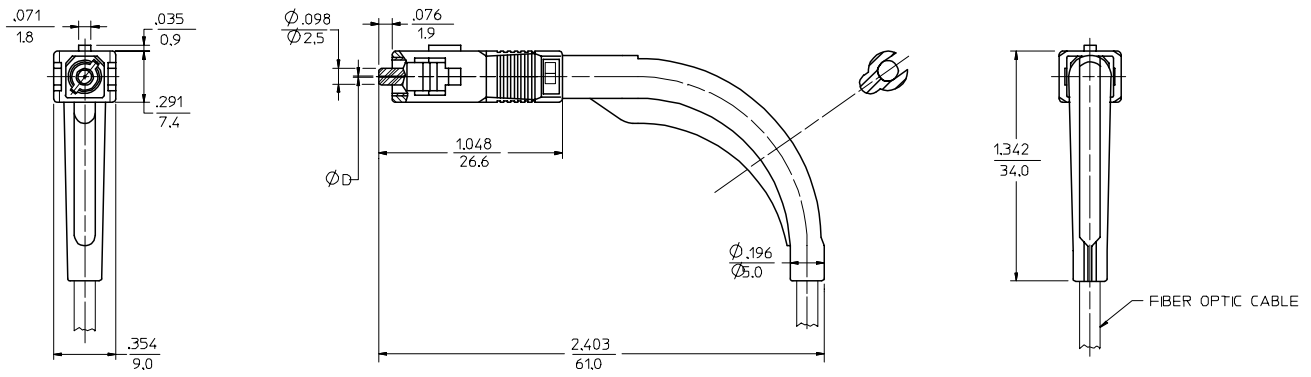


10	9	8	7	6	5	4	3	2	106063		
CONNECTOR P/N	ØD (µm)	HOUSING COLOR	BOOT COLOR	CABLE SIZE (mm)	CONNECTOR TYPE	CONNECTOR P/N	ØD (µm)	HOUSING COLOR	BOOT COLOR	CABLE SIZE (mm)	CONNECTOR TYPE
106063-0600	127	BLUE	BLUE	2.4	MULTIMODE	106063-4400	125	BLUE	YELLOW	3.0	SINGLE MODE
106063-0660		BEIGE	BEIGE			106063-4470		BLACK	BLACK		
106063-0670		BLACK	BLACK			106063-4480		RED	RED		
106063-0400		BLUE	BLUE	3.0		106063-4600	BLUE	YELLOW	2.4		
106063-0460		BEIGE	BEIGE			106063-5400	BLUE	YELLOW	3.0		
106063-0470		BLACK	BLACK			106063-5470	BLACK	BLACK			
106063-0480		RED	RED	106063-5480		RED	RED				
106063-2400	125.5	BLUE	YELLOW	2.4	SINGLE MODE	106063-5600	127	BLUE	YELLOW	2.4	
106063-2600	2.4			106063-7400	3.0						
106063-3400	3.0			106063-7600	2.4						
106063-3460	128	BEIGE	BEIGE	3.0	MULTIMODE						
106063-3470		BLACK	BLACK								
106063-3480		RED	RED								



NOTE:
FERRULE MATERIAL - ZIRCONIA.

ENTER DESCRIPTION EC NO: MF2008-0136 DRWNG: DRWNGKPEVNER CHKD: 2007/09/25 APPR: IGUMIN 2007/09/26	QUALITY SYMBOLS ▽=0 ▽=0	GENERAL TOLERANCES (UNLESS SPECIFIED)		DIMENSION STYLE IN/MM		SCALE 1.5:1	DESIGN UNITS INCH	THIRD ANGLE PROJECTION
		4 PLACES ± --- ± ---	3 PLACES ± --- ± ---	DRAWN BY PGIBL IN	DATE 2005/09/23	TITLE SC CONNECTOR, 90 DEGREE BOOT		
		2 PLACES ± --- ± ---	1 PLACE ± --- ± ---	CHECKED BY	DATE			
		ANGULAR ±1/2°		APPROVED BY IGUMIN	DATE 2005/09/23	MOLEX INCORPORATED		
DRAFT WHERE APPLICABLE MUST REMAIN WITHIN DIMENSIONS	MATERIAL NO. SEE TABLE	DOCUMENT NO. SD-106063-YYYO	SHEET NO. 1 OF 1					