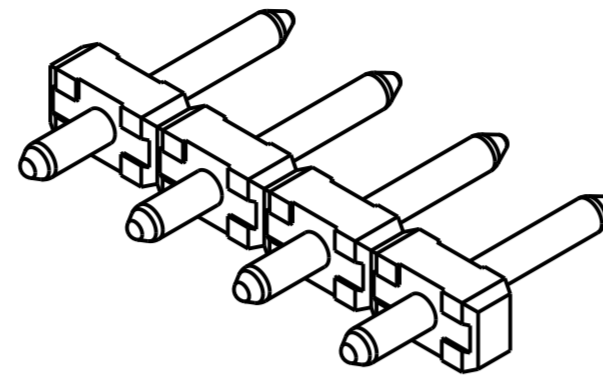
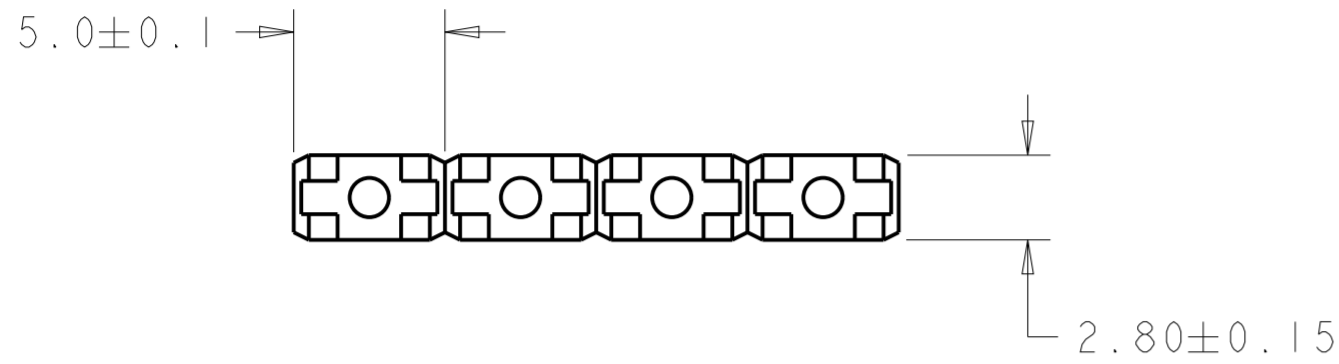
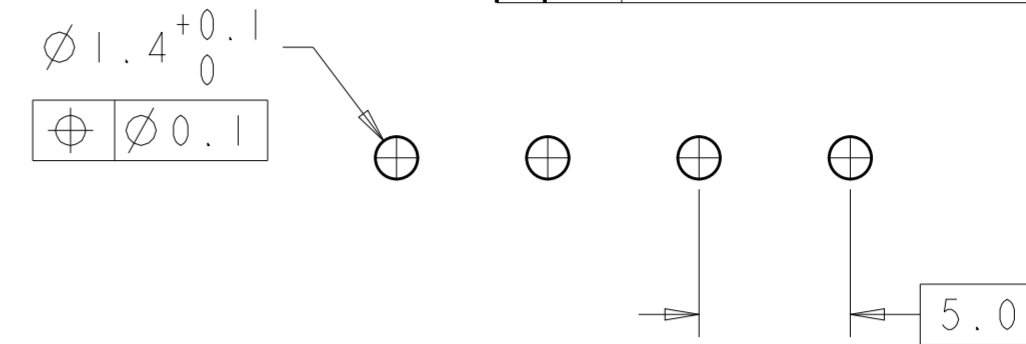


THIS DRAWING IS UNPUBLISHED. RELEASED FOR PUBLICATION 20
 © COPYRIGHT 20 ALL RIGHTS RESERVED.

| LOC | DIST | REVISIONS | | | | | |
|-----|------|-----------|-----|---------------------------|-----------|-----|------|
| FT | 0 | P | LTR | DESCRIPTION | DATE | DWN | APVD |
| | | A9 | | REVISED PER ECO-14-009593 | 01JUL2014 | NK | MM |

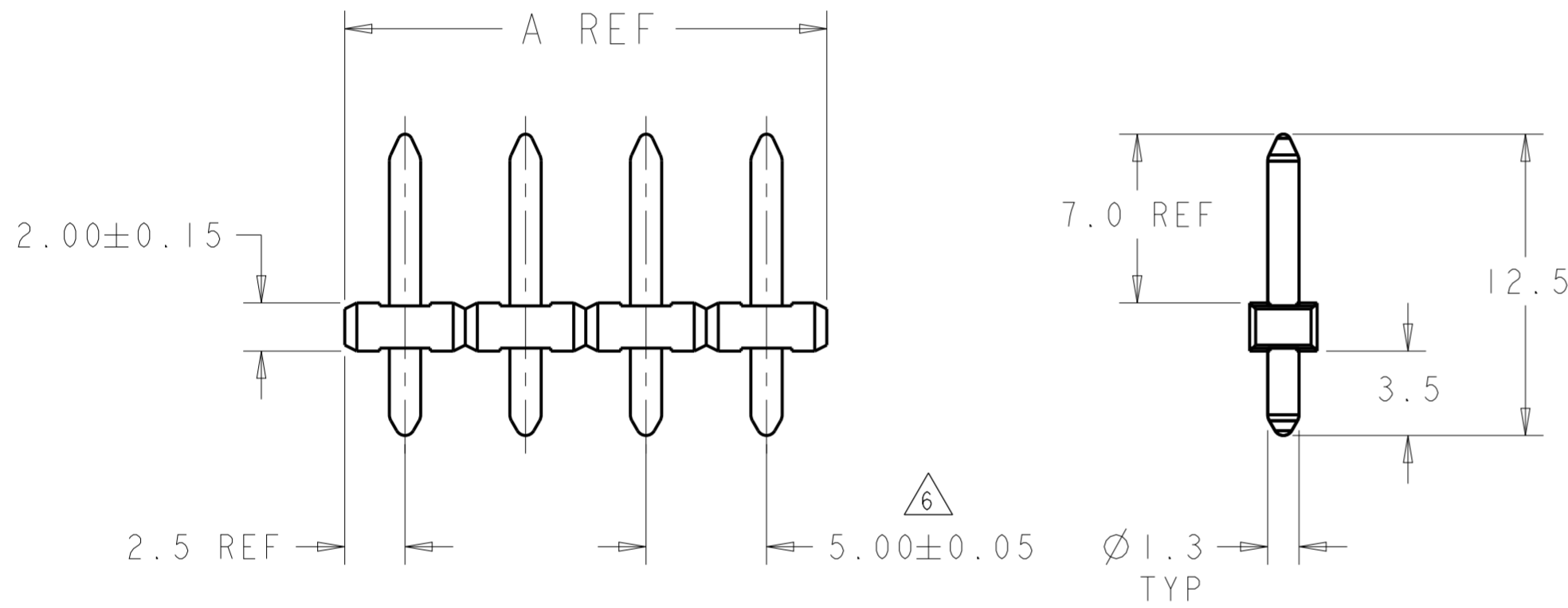


1546931-4 AS SHOWN



RECOMMENDED PC BOARD LAYOUT

| PRELIMINARY | BLACK | TIN | TAPE AND REEL | 55 | 11 | 3-1546931-5 |
|-------------|---------|--------------|---------------|------------|-------------|-------------|
| PRELIMINARY | BLACK | TIN | TAPE AND REEL | 45 | 9 | 3-1546931-4 |
| | GRAY | TIN | - | 45 | 9 | 3-1546931-3 |
| | BLACK | TIN | TAPE AND REEL | 15 | 3 | 3-1546931-2 |
| PRELIMINARY | BLACK | TIN | TAPE AND REEL | 10 | 2 | 3-1546931-1 |
| OBSOLETE | BLACK | 0.254um GOLD | - | 10 | 2 | 3-1546931-0 |
| | BLACK | TIN | TAPE AND REEL | 25 | 5 | 2-1546931-9 |
| | BLACK | TIN | TAPE AND REEL | 20 | 4 | 2-1546931-8 |
| OBSOLETE | BLACK | TIN | TUBES | 25 | 5 | 2-1546931-7 |
| OBSOLETE | BLACK | TIN | TUBES | 20 | 4 | 2-1546931-6 |
| | BLACK | TIN | | 125 | 25 | 2-1546931-5 |
| | BLACK | TIN | | 120 | 24 | 2-1546931-4 |
| | BLACK | TIN | | 115 | 23 | 2-1546931-3 |
| | BLACK | TIN | | 110 | 22 | 2-1546931-2 |
| | BLACK | TIN | | 105 | 21 | 2-1546931-1 |
| | BLACK | TIN | | 100 | 20 | 2-1546931-0 |
| | BLACK | TIN | | 95 | 19 | 1-1546931-9 |
| | BLACK | TIN | | 90 | 18 | 1-1546931-8 |
| | BLACK | TIN | | 85 | 17 | 1-1546931-7 |
| | BLACK | TIN | | 80 | 16 | 1-1546931-6 |
| | BLACK | TIN | | 75 | 15 | 1-1546931-5 |
| | BLACK | TIN | | 70 | 14 | 1-1546931-4 |
| | BLACK | TIN | | 65 | 13 | 1-1546931-3 |
| | BLACK | TIN | | 60 | 12 | 1-1546931-2 |
| OBSOLETE | BLACK | TIN | | 55 | 11 | 1-1546931-1 |
| | BLACK | TIN | | 50 | 10 | 1-1546931-0 |
| | BLACK | TIN | | 45 | 9 | 1546931-9 |
| | BLACK | TIN | | 40 | 8 | 1546931-8 |
| | BLACK | TIN | | 35 | 7 | 1546931-7 |
| | BLACK | TIN | | 30 | 6 | 1546931-6 |
| | BLACK | TIN | | 25 | 5 | 1546931-5 |
| | BLACK | TIN | | 20 | 4 | 1546931-4 |
| | BLACK | TIN | | 15 | 3 | 1546931-3 |
| | BLACK | TIN | | 10 | 2 | 1546931-2 |
| COLOR | PLATING | PACKAGING | A REF | NO OF POSN | PART NUMBER | |



1 MATERIALS AND FINISH:
 HOUSING: PA 6-6, UL 94-V0, COLOR: SEE TABLE.
 TEMPERATURE RATING OF 260°C AT 1 MINUTE.
 TERMINAL: BRASS, TIN PLATED.

- 2. SUITABLE FOR 1,6-2,4mm PC BOARD THICKNESS.
- 3. END-TO-END STACKABLE WITHOUT LOSS OF CENTERLINE SPACING.
- 4. RECOGNIZED UNDER THE COMPONENT PROGRAM OF UNDERWRITERS LABORATORIES INC. FILE N° E60677.
- 5. IMQ CERTIFICATE WITH SURVEILLANCE IN CONFORMITY WITH IEC 998-1/998-2-1.

6 NOT CUMULATIVE TOLERANCE.

THIS DRAWING IS A CONTROLLED DOCUMENT.

DWN: S. WELDON 30 JAN 2004
 CHK: C. RICHARD 30 JAN 2004
 APVD: C. RICHARD 30 JAN 2004

STE TE Connectivity

NAME: TERMINAL BLOCK, PIN HEADER, UNSHROUDED, HIGH TEMPERATURE, 5.0mm PITCH

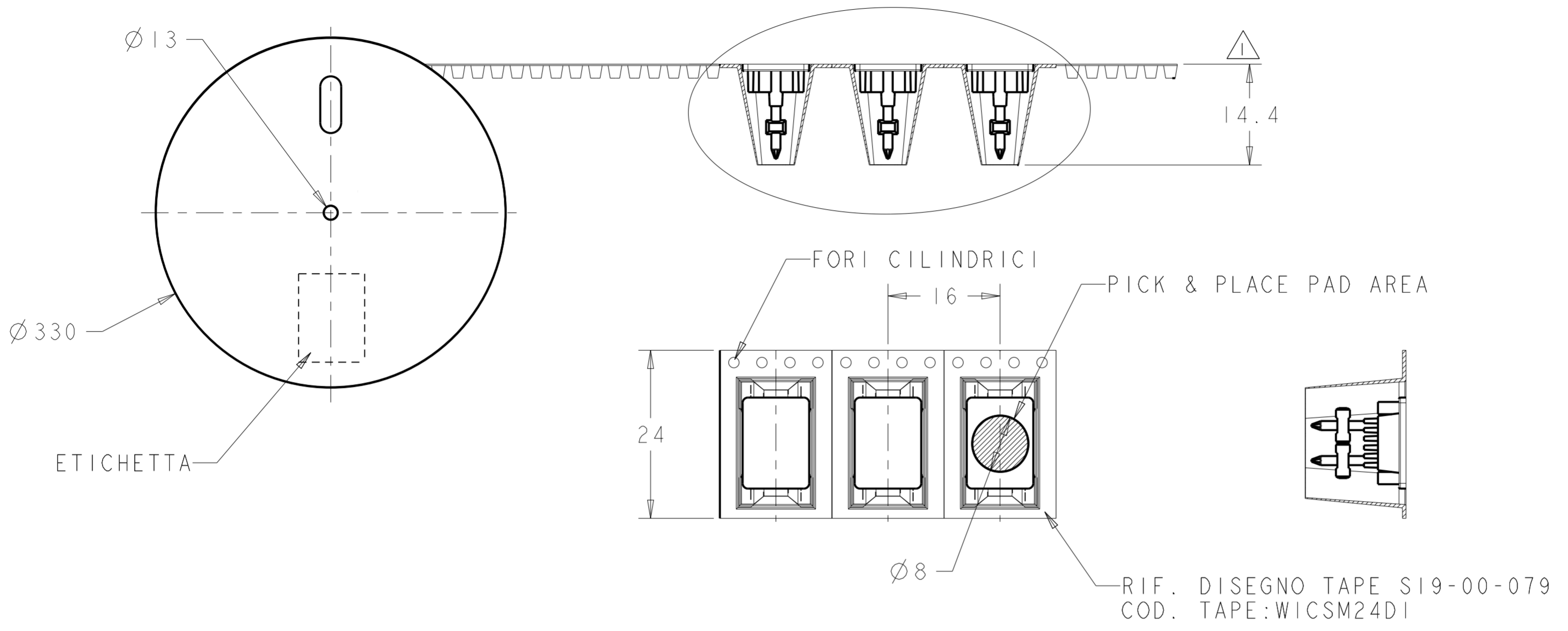
PRODUCT SPEC: 108-20166
 APPLICATION SPEC: 114-20079

SIZE: A2 CAGE CODE: 00779 DRAWING NO: C-1546931 RESTRICTED TO: -

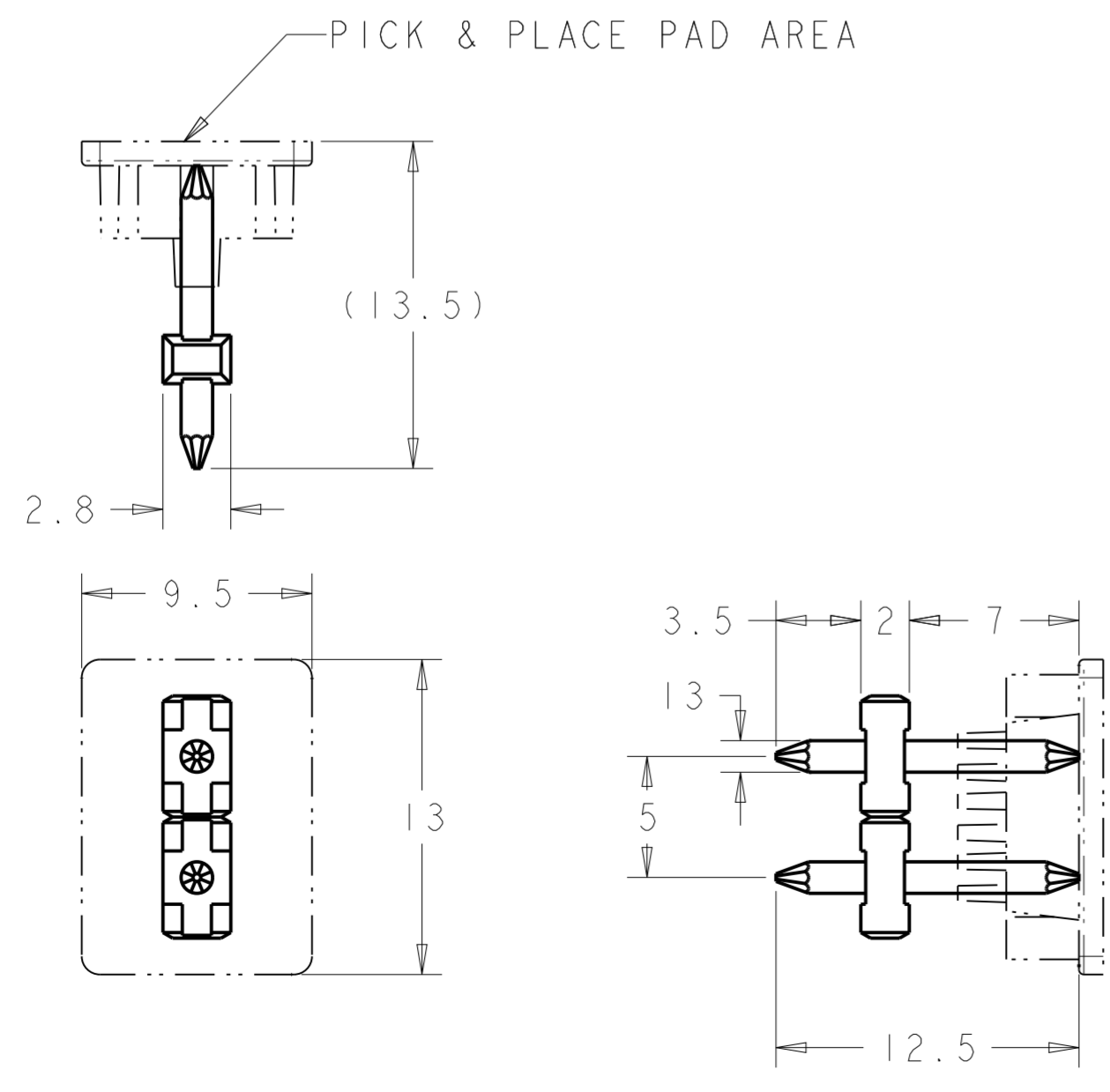
Customer Drawing SCALE: 4:1 SHEET 1 OF 2 REV: A9

THIS DRAWING IS UNPUBLISHED. RELEASED FOR PUBLICATION 20
 © COPYRIGHT 20 ALL RIGHTS RESERVED.

| LOC | DIST | REVISIONS | | | | | |
|-----|------|-----------|-----|-------------|------|-----|------|
| FT | 0 | P | LTR | DESCRIPTION | DATE | DWN | APVD |
| | | - | | SEE SHEET 1 | - | - | - |
| | | | | | | | |



NOTE:
300 PCS PER REEL



| | | | | |
|--|--|-----------------------------|---|-----------|
| THIS DRAWING IS A CONTROLLED DOCUMENT. | | DWN S. WELDON 30 JAN 2004 | STE TE Connectivity | |
| DIMENSIONS: mm | | CHK C. RICHARD 30 JAN 2004 | | |
| TOLERANCES UNLESS OTHERWISE SPECIFIED: | | APVD C. RICHARD 30 JAN 2004 | NAME | |
| 0 PLC ±- | | PRODUCT SPEC | TERMINAL BLOCK, PIN HEADER, UNSHROUDED, HIGH TEMPERATURE, 5.0mm PITCH | |
| 1 PLC ±.3 | | APPLICATION SPEC | SIZE | CAGE CODE |
| 2 PLC ±.25 | | 108-20166 | A200779 | C-1546931 |
| 3 PLC ±- | | 114-20079 | SCALE | SHEET |
| 4 PLC ±- | | Customer Drawing | 4:1 | 2 OF 2 |
| ANGLES ±2° | | WEIGHT | | REV A9 |
| FINISH | | | | |