

NOTES: UNLESS OTHERWISE SPECIFIED.

1. ALL DIMENSIONS ARE IN MM.
TOLERANCES TO BE ± 0.5 MM.

2. PARTS SPECIFIED AS FOLLOWS:

2-1. ENCLOSURE:
* MEET V40 FLAMMABILITY.
* COLOR: BLACK.
* TEXTURE: MOLDTECH MT11020.

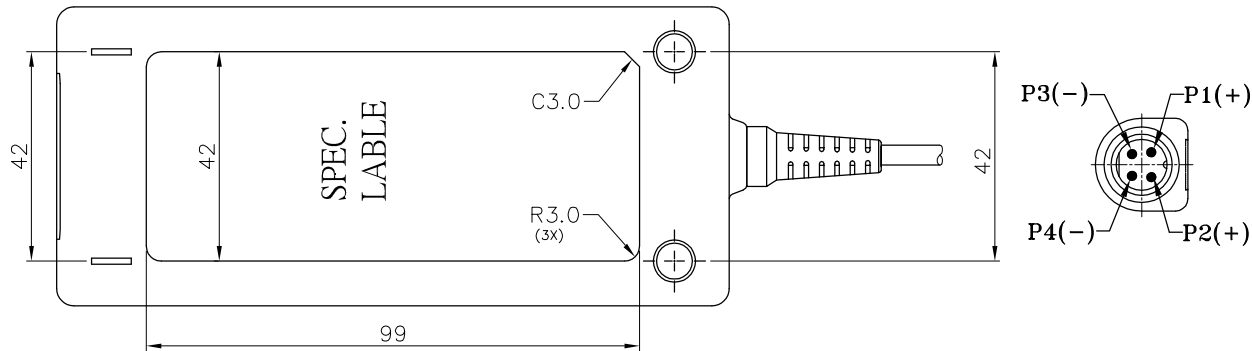
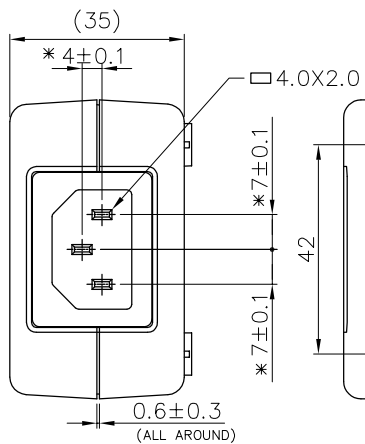
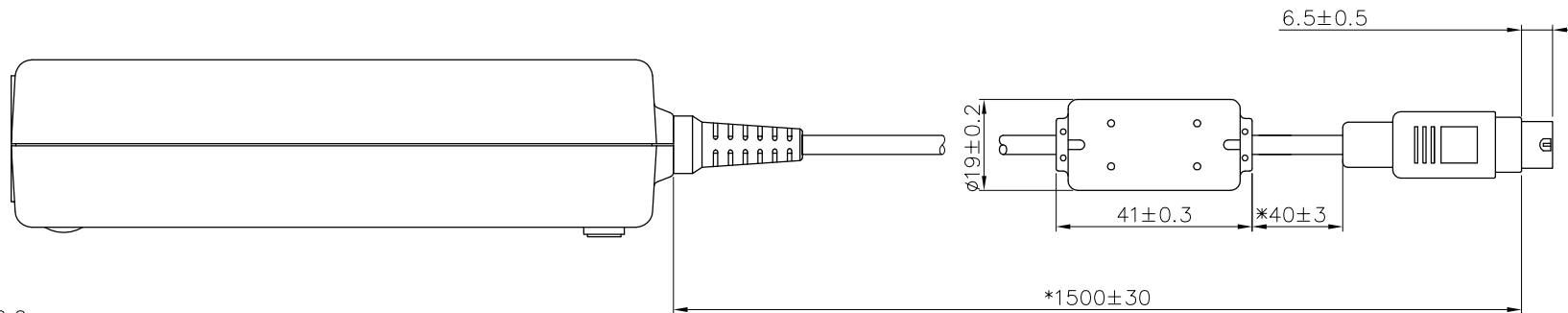
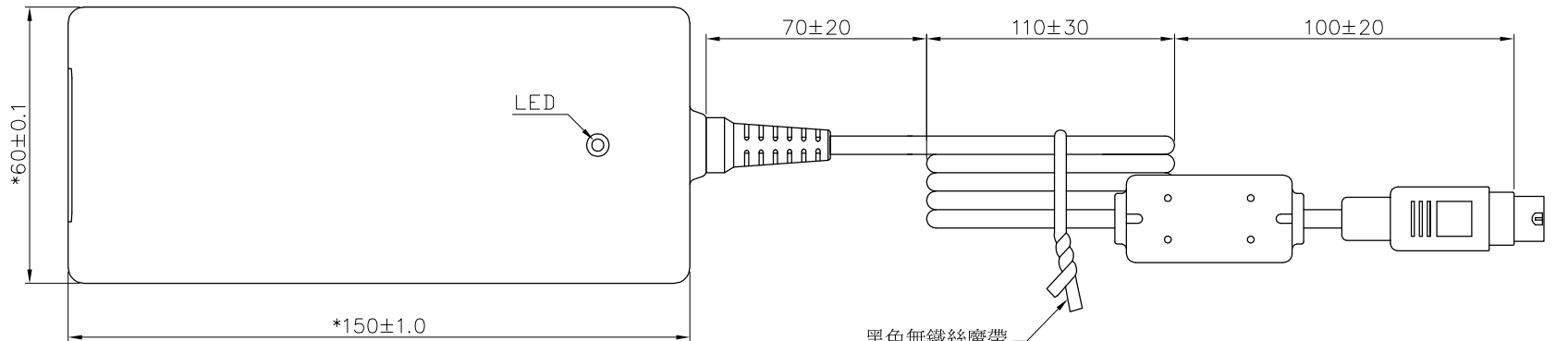
2-2. AC INLET:
* IEC 320, C14 CERTIFIED, 3 WAY.
* COLOR: BLACK.

2-3. DC OUTPUT:
* PLUG SHAPE: 4 PIN PLUG TYPE
* PLUG INSULATOR: BLACK

* PLUG POLARITY:

P1	P2	(+)
P3/4 SHELL		(-)

* COLOR: BLACK.
2-4. ADAPTOR UNIT:
* DIMENSIONS MARKED * MARK MUST BE INSPECTED & CONTROLLED STRICTLY BY OQC.



NO	release	15 JUN 2009		PRINTING DATE	2009/10/01		2D FILE	PA-1081-01LT-LF-PD(785008)	DESIGNER	Felix				TITLE: OUTLINE	PART NO:
REVISION	DESCRIPTION	DATE	ZONE	FINAL DATE	2009/10/01		3D FILE		CHECKER	Felix	APPROVED	Brian		PROJECT: PA-1081-01LT-LF	DRAWING NO: