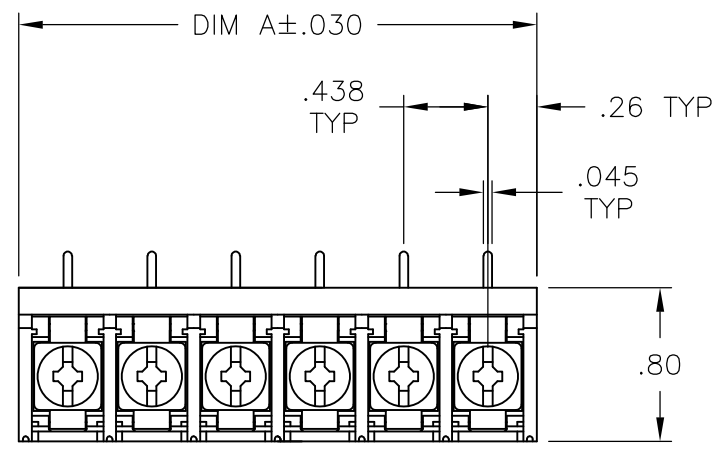


THIS DRAWING IS UNPUBLISHED. RELEASED FOR PUBLICATION
 © COPYRIGHT BY TYCO ELECTRONICS CORPORATION. ALL RIGHTS RESERVED.

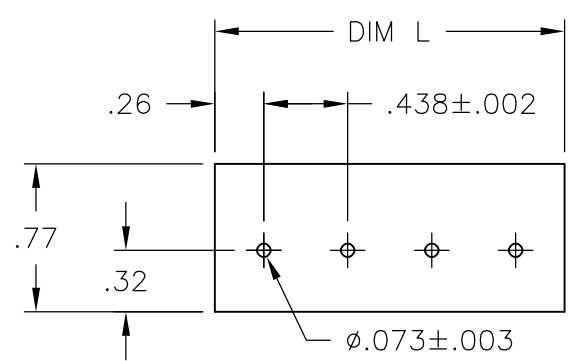
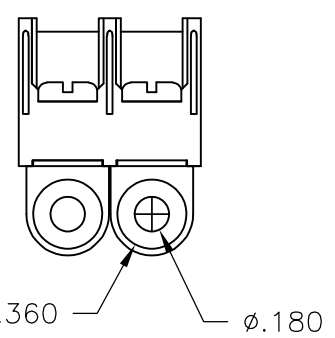
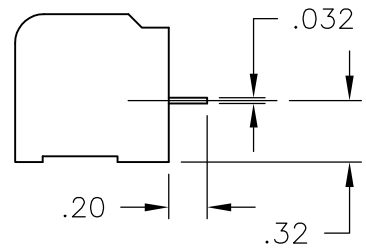
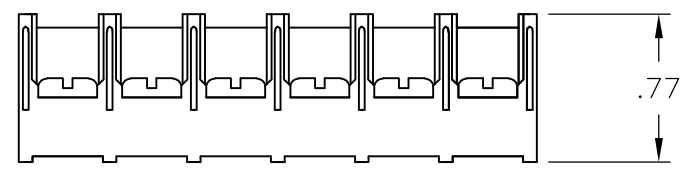
LOC	DIST	REVISIONS					
FT	0	P	LTR	DESCRIPTION	DATE	DWN	APVD
			F	REVISED PER ECO-10-004812	05MAY10	HMR	CR



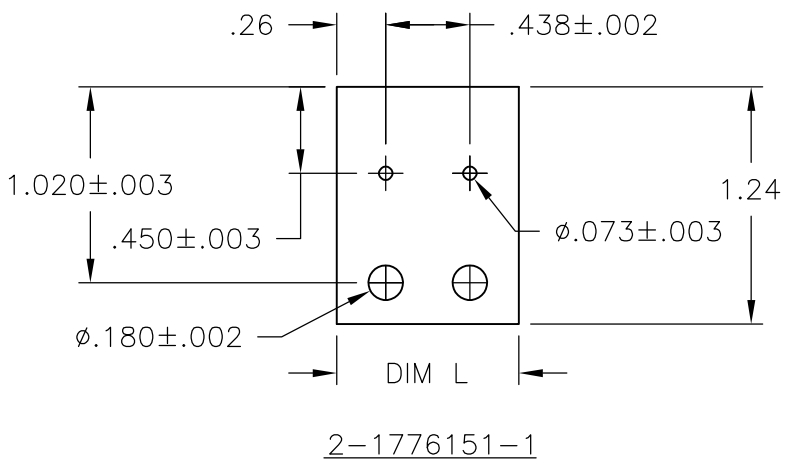
MATERIALS:
 HOUSING: THERMOPLASTIC, UL94V-0, BLACK.
 TERMINAL: BRIGHT TIN PLATED COPPER ALLOY.
 SCREWS: 8-32, ZINC PLATED STEEL.

ELECTRICAL:
 CURRENT RATING: 30A
 VOLTAGE RATING: 600V
 WIRE RANGE: 10-18 AWG (UL)
 10-22 AWG (CSA)

MECHANICAL:
 RECOMMENDED TORQUE: 20 IN-LB.
 OPERATING TEMP.: -40°C TO +120°C.



RECOMMENDED PCB LAYOUT



8.822	20	8PCR-20-007	2-1776151-0
8.385	19	8PCR-19-007	1-1776151-9
7.947	18	8PCR-18-007	1-1776151-8
7.510	17	8PCR-17-007	1-1776151-7
7.072	16	8PCR-16-007	1-1776151-6
6.635	15	8PCR-15-007	1-1776151-5
6.197	14	8PCR-14-007	1-1776151-4
5.760	13	8PCR-13-007	1-1776151-3
5.322	12	8PCR-12-007	5-1437657-0
4.885	11	8PCR-11-007	4-1437657-7
4.447	10	8PCR-10-007	4-1437657-6
4.010	9	8PCR-09-007	1776151-9
3.572	8	8PCR-08-007	4-1437657-4
3.135	7	8PCR-07-007	1776151-7
2.697	6	8PCR-06-007	3-1437657-8
2.260	5	8PCR-05-007	3-1437657-4
1.822	4	8PCR-04-007	5-1546159-1
1.385	3	8PCR-03-007	4-1546159-9
.947	2	8PCR-02-663	2-1776151-1
.947	2	8PCR-02-007	1776151-2
DIM A	NO OF POS	CATALOG NUMBER	TE PART NO

THIS DRAWING IS A CONTROLLED DOCUMENT.

DIMENSIONS: INCHES	TOLERANCES UNLESS OTHERWISE SPECIFIED:
	0 PLC ± -
	1 PLC ± -
	2 PLC ± .01
	3 PLC ± .005
	4 PLC ± -
	ANGLES ± 1°
MATERIAL	FINISH
-	-

DWN S SCHLEGEL 9/16/04	Tyco Electronics Corporation Harrisburg, PA 17105-3608			
CHK S YODER 9/16/04				
APVD S YODER 9/16/04				
PRODUCT SPEC	NAME			
APPLICATION SPEC	8PCR-XX-007 ASSEMBLY			
WEIGHT -	SIZE A3	CAGE CODE 00779	DRAWING NO C-3-1437657-4	RESTRICTED TO -
CUSTOMER DRAWING	SCALE 1:1	SHEET 1 OF 1	REV F	