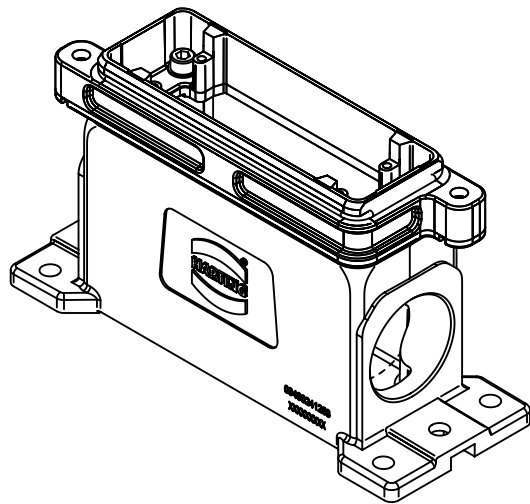
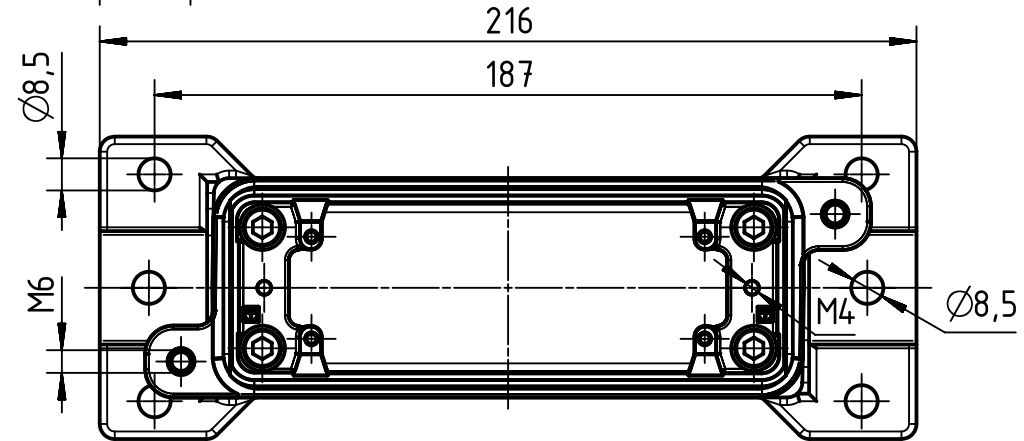
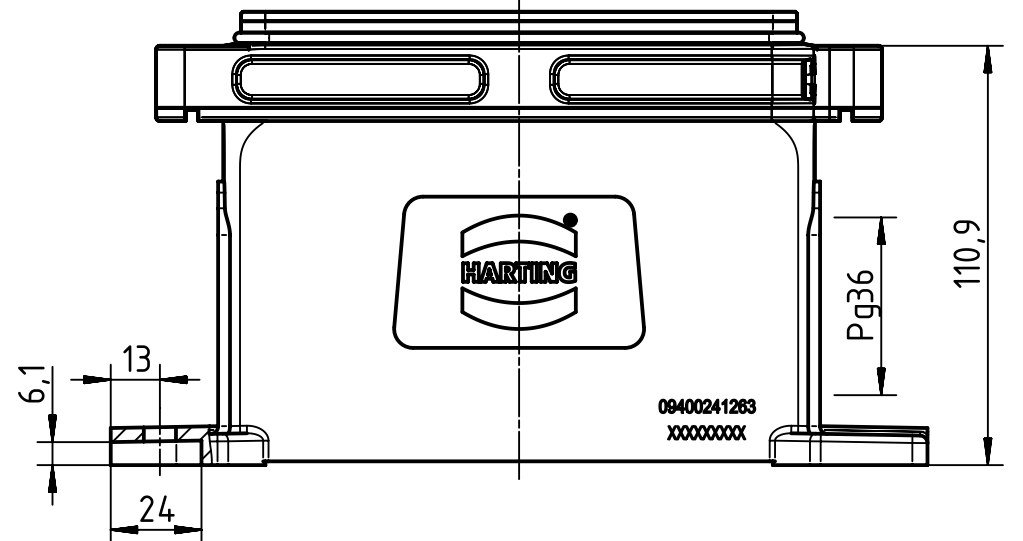
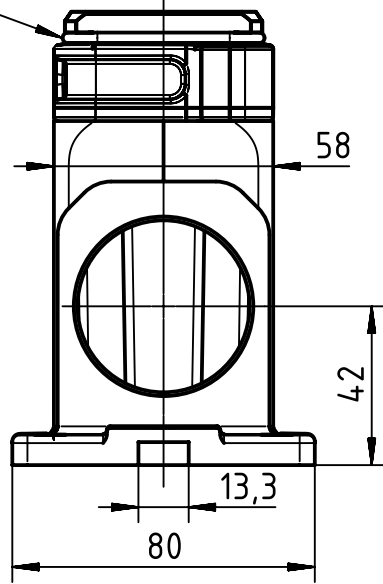


seal



	All Dimensions in mm Original Size DIN A4		Scale 1:2		Free size tol.		Ref. Sub. TB 09 40 024 1263 v. 09.08.11		
		All rights reserved Department EL PD - DE		Created by RULLKOETTER	Inspected by BERGHORN	Standardisation TIEMANNA	Date 2014-07-17	State Final Release	
HARTING Electric GmbH & Co. KG D-32339 Espelkamp				Title Han 24HPR-HSM-1x36-Screw Lock			Doc-Key / ECM-Nr. 100212736/UGD/004/B 500000077550		
				Type TB	Number 09 40 024 1263			Rev. B	Page 1/1