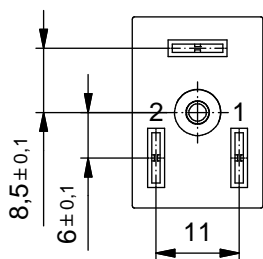
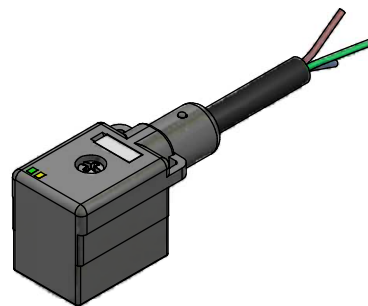


Technical specification :

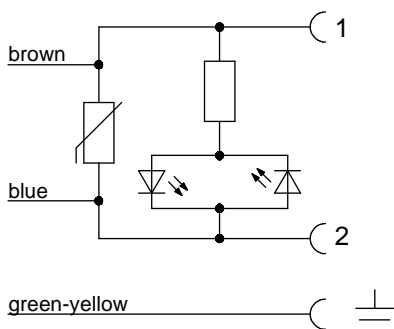
Rated voltage: 24 V AC / DC
 Current rating: 4 A at 40°C
 IEC 60512-5-2 5b
 Pollution degree: 3
 IEC 60664-1
 Degree of protection: IP 67, in mated condition
 IEC 60529
 Temperature range: -25°C ... +80°C
 IEC 60664-1
 Mating cycles: >50

Materials:

Contact: CuZn
 Contact plating: Nickel, stannous plated
 Contact carrier: PA GF, UL 94
 Moulding body: TPU, UL 94, transparent



Contact assignment:



Part no:	Description:	Length L:	Cable:
55-00073	SAL - BI - V2PE - 180 - 124 - 2 / H2	2m	PUR/PVC, black, 3x0,5mm ² Cable: 781-H25300
55-00014	SAL - BI - V2PE - 180 - 124 - 3 / H2	3m	
55-00015	SAL - BI - V2PE - 180 - 124 - 5 / H2	5m	
55-00074	SAL - BI - V2PE - 180 - 124 - 10 / H2	10m	
55-00187	SAL - BI - V2PE - 180 - 124 - 2 / A2	2m	PVC, black, 3x0,5mm ² Cable: -
55-00188	SAL - BI - V2PE - 180 - 124 - 3 / A2	3m	
55-00189	SAL - BI - V2PE - 180 - 124 - 5 / A2	5m	
55-00190	SAL - BI - V2PE - 180 - 124 - 10 / A2	10m	
55-00199	SAL - BI - V2PE - 180 - 124 - 2 / K1 / 075	2m	TPU, UL 20549, black, 3x0,75mm ² Cable: 781-K17300
55-00200	SAL - BI - V2PE - 180 - 124 - 3 / K1 / 075	3m	
55-00201	SAL - BI - V2PE - 180 - 124 - 5 / K1 / 075	5m	
55-00202	SAL - BI - V2PE - 180 - 124 - 10 / K1 / 075	10m	
55-00203	SAL - BI - V2PE - 180 - 124 - 2 / A3 / 075	2m	PVC, UL 2464, grey, 3x0,75mm ² Cable: 781-A37300
55-00204	SAL - BI - V2PE - 180 - 124 - 3 / A3 / 075	3m	
55-00205	SAL - BI - V2PE - 180 - 124 - 5 / A3 / 075	5m	
55-00206	SAL - BI - V2PE - 180 - 124 - 10 / A3 / 075	10m	

D see data sheet cable

DO NOT ALTER CAD DRAWING BY HAND	Directive 2002/95/EC RoHS compliant	Index: a 02.02.11 VF Ä3731 contact assignment modified, dimension cable diameter removed, part no. cable in table added	dim. in mm	title: Valve plug type B industrial, with protective circuit, ground 180° rotated dwg no: 55K1A008 part no: see table		
					date	name
			drawn		16.06.08	Franz
			appd.		16.06.08	Schmidt
THIS DRAWING MAY NOT BE COPIED OR REPRODUCED IN ANY WAY, AND MAY NOT BE PASSED ON TO A THIRD PARTY WITHOUT WRITTEN PERMISSION. OWNERSHIP AND COPYRIGHT OF CONEC GmbH						