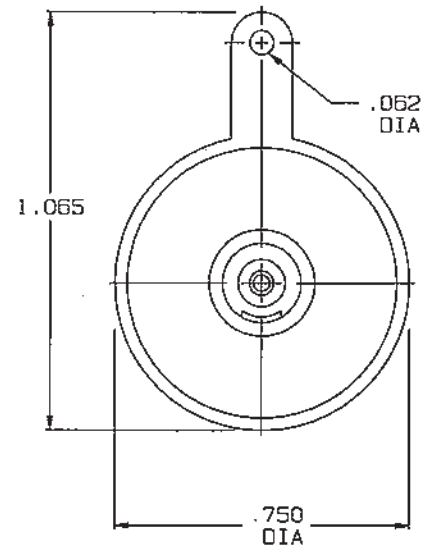
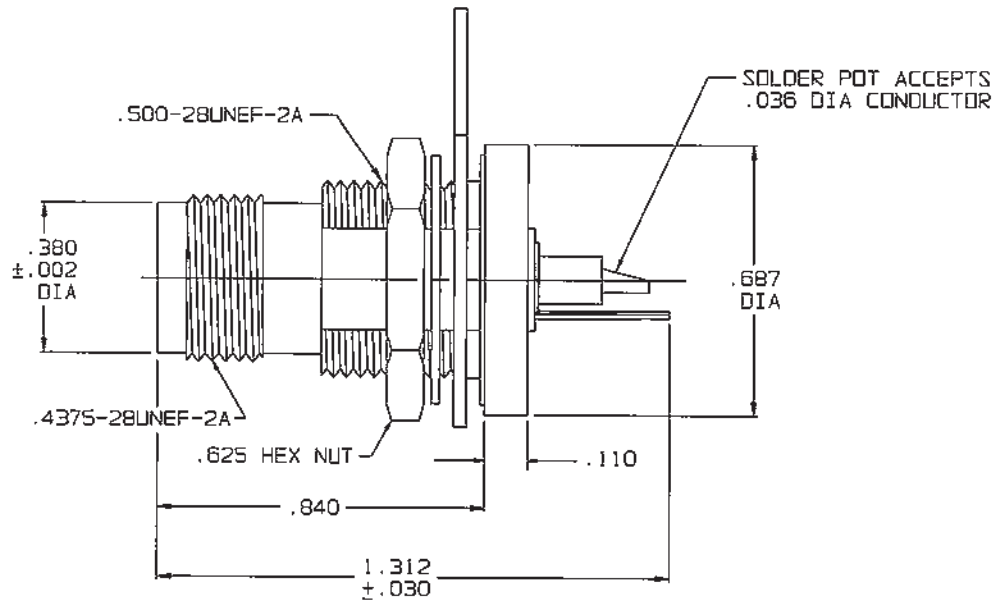


DATA CONTAINED IN THIS DOCUMENT IS PROPRIETARY TO TROMPETER ELECTRONICS INC. AND SHALL NOT BE DISCLOSED, COPIED OR USED FOR PROCUREMENT OR MANUFACTURE WITHOUT EXPRESS WRITTEN PERMISSION OF TROMPETER ELECTRONICS INC.

REVISIONS		3-0131	SH 1
REV	DESCRIPTION	DATE	APPROVED
H	REVISED PER ECO # 13617	11/7/00	<i>[Signature]</i>

## RED INDICATES ORIGINAL



7. EXAMPLE OF COMPLETE MODEL NO.

BJ376 S

BASIC MODEL NO. | SAFETY WIRE TYPE  
(OMIT IF NO REQ'D)

⚠ WHEN CONNECTOR IS SUPPLIED TO MILITARY PART NO. M49142/10-0001 (REF: TEI P/N = M3-0131)

- a) ALL PARTS NORMALLY PLATED TFS-1A OR TFS-1U (NICKEL) ARE TO BE PLATED TFS-1M (SILVER)
- b) MARK PART "M49142/10-0001 14949"
- c) QUALITY CONFORMANCE INSPECTION SHALL BE PER MIL-C-49142 SECTION 4.5

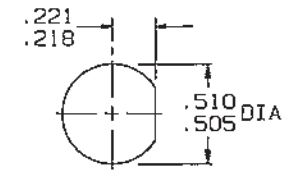
5. IF SAFETY WIRE TYPE REQD, ADD SUFFIX "S" TO MODEL NO

4. MAX PANEL THK .240 W/O SOLDER LUG  
.208 THK W/SOLDER LUG


3. CONCENTRIC TWINAX/TRIAX TRB  
REAR MOUNT SOLDER POT  
BULKHEAD RECEPTACLE

2. FINISH: TFS-1A (NICKEL) ⚠

1. ALL DIM ARE IN INCHES



RECOMMENDED  
PANEL CUTOUT  
SCALE: 1/1

INTERPRET DRAWING PER MIL-STD-100 DIMENSIONS ARE IN INCHES AND INCLUDE FINISH THICKNESS UNLESS OTHERWISE SPECIFIED		TOL: UNLESS SPECIFIED .XX ± .02 .XXX ± .010 .XXXX ANGLES		 BJ376/BJ376S	
DRAWN R L	DATE 11/3/00	MATERIAL: ---			
CHECKED <i>[Signature]</i>	DATE 11/5/00	FINISH: ---		SIZE <b>A</b>	CAGE CODE <b>14949</b>
APPROVED <i>[Signature]</i>	DATE 11-5-00	DRAWING NO. 3-0131		REV. H	
NEXT ASSY	CAD FILE NO. 3-0131H1	DO NOT SCALE DWG	SCALE 2/1	DATE: 12/15/87	SHEET 1C