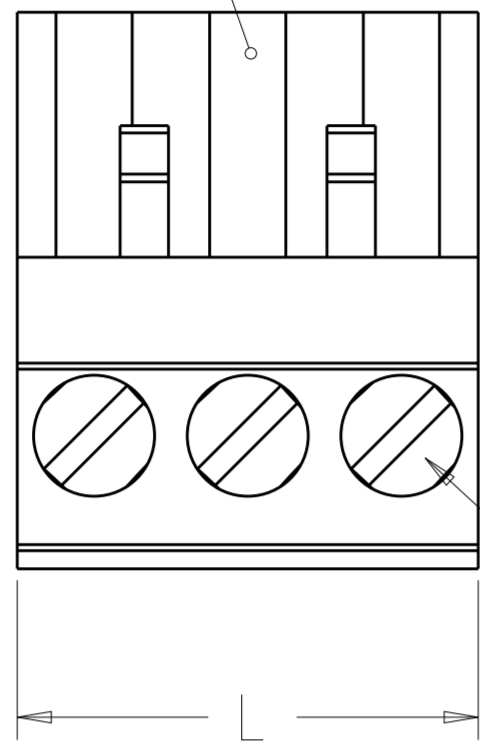


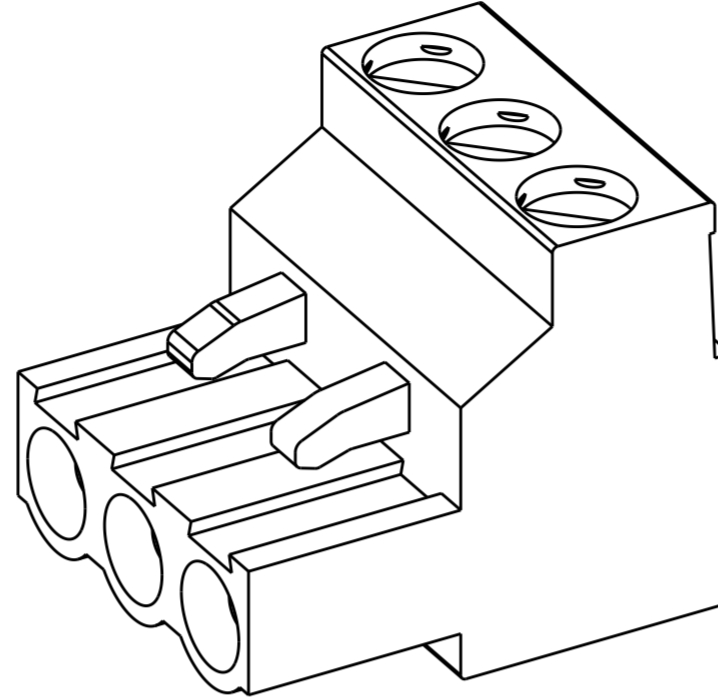
THIS DRAWING IS UNPUBLISHED. RELEASED FOR PUBLICATION 20
 © COPYRIGHT 20 BY - ALL RIGHTS RESERVED.

LOC	DIST	REVISIONS					
FT	0	P	LTR	DESCRIPTION	DATE	DWN	APVD
		D5		REVISED PER ECO-12-011587	26JUN2012	HMR	MS

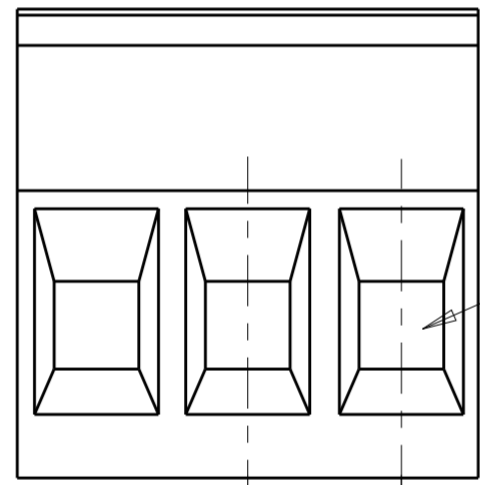
POLARIZATION KEY SLOT



CLAMPING SCREW

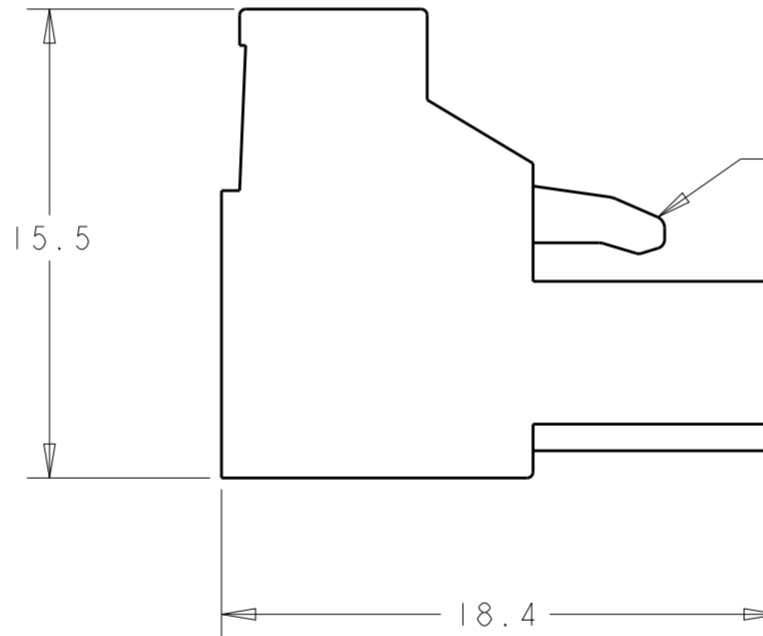


1546108-3 AS SHOWN



WIRE ENTRY

5.08±0.05 TYP
 2.54 REF 2 PLC



RETENTION LATCH

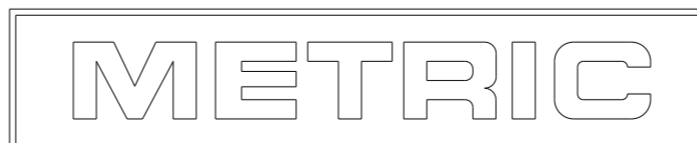
MATING FACE

15.5

18.4

DETAIL H	TIN	55.88	11	6-1546108-1	
DETAIL H	TIN	45.72	9	5-1546108-9	
DETAIL H	TIN	30.48	6	5-1546108-6	
DETAIL H	TIN	20.32	4	5-1546108-4	
DETAIL H	TIN	15.24	3	5-1546108-3	
DETAIL H	TIN	10.16	2	5-1546108-2	
DETAIL H	TIN	60.96	12	4-1546108-7	
9	-	TIN	15.24	3	4-1546108-6
DETAIL K	TIN	40.64	8	4-1546108-5	
DETAIL H	TIN	40.64	8	4-1546108-4	
DETAIL H	TIN	96.52	19	4-1546108-3	
PRELIMINARY	.000030 GOLD	60.96	12	4-1546108-2	
PRELIMINARY	.000030 GOLD	30.48	6	3-1546108-6	
PRELIMINARY	.000030 GOLD	20.32	4	3-1546108-4	
PRELIMINARY	.000030 GOLD	15.24	3	3-1546108-3	
	TIN	127.00	25	2-1546108-5	
	TIN	121.92	24	2-1546108-4	
	TIN	116.84	23	2-1546108-3	
	TIN	111.76	22	2-1546108-2	
	TIN	106.68	21	2-1546108-1	
	TIN	101.60	20	2-1546108-0	
	TIN	96.52	19	1-1546108-9	
	TIN	91.44	18	1-1546108-8	
	TIN	86.36	17	1-1546108-7	
	TIN	81.28	16	1-1546108-6	
	TIN	76.20	15	1-1546108-5	
	TIN	71.12	14	1-1546108-4	
	TIN	66.04	13	1-1546108-3	
	TIN	60.96	12	1-1546108-2	
	TIN	55.88	11	1-1546108-1	
	TIN	50.80	10	1-1546108-0	
	TIN	45.72	9	1546108-9	
	TIN	40.64	8	1546108-8	
	TIN	35.56	7	1546108-7	
	TIN	30.48	6	1546108-6	
	TIN	25.40	5	1546108-5	
	TIN	20.32	4	1546108-4	
	TIN	15.24	3	1546108-3	
	TIN	10.16	2	1546108-2	
MARKING STYLE	CONTACT FINISH	L	NO OF POSN	PART NUMBER	

- 1 MATERIALS AND FINISH:
 HOUSING: PA 6-6, UL 94-V0, COLOR: GRAY.
 CLAMP: BRASS, NICKEL PLATED.
 CONTACT SPRING: PHOSPHOR BRONZE, FINISH: SEE TABLE.
 CLAMPING SCREW: M3, BRASS, NICKEL PLATED.
2. END-TO-END STACKABLE WITHOUT LOSS OF CENTERLINE SPACING.
3. WIRE SIZE RANGE: 12-30 AWG.
4. RECOGNIZED UNDER THE COMPONENT PROGRAM OF UNDERWRITERS LABORATORIES INC. FILE N° E60677.
5. IMO CERTIFICATE WITH SURVEILLANCE IN CONFORMITY WITH IEC 998-1/998-2-1.
- 6 NOT CUMULATIVE TOLERANCE
7. BUCHANAN LOGO TO APPEAR ON HOUSING, LOCATION OPTIONAL WHERE SPACE PERMITS.
8. INK MARKING: BLACK COLOR. NUMERICAL SEQUENCE FROM LEFT TO RIGHT.
- 9 WITHOUT RETENTION LATCHES.



THIS DRAWING IS A CONTROLLED DOCUMENT.

DWN S. WELDON 11SEP2002
 CHK C. RICHARD 11SEP2002
 APVD C. RICHARD 11SEP2002

STE TE Connectivity

NAME TERMINAL BLOCK, PLUG, STACKING, 5.08mm PITCH

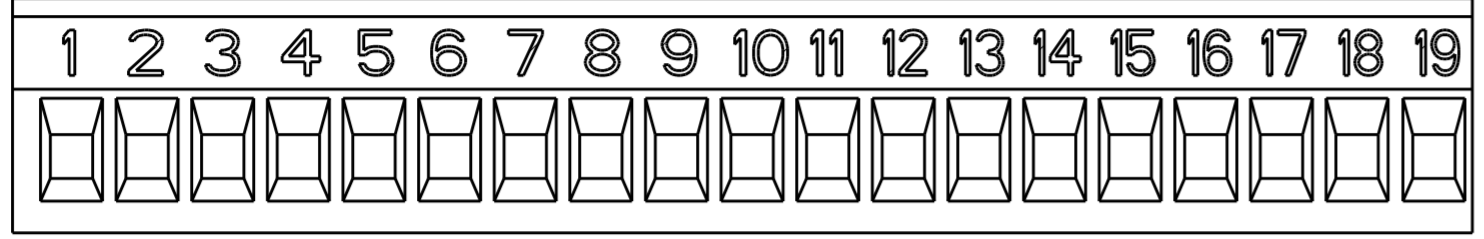
SIZE A2 CAGE CODE 00779 DRAWING NO C-1546108 RESTRICTED TO -

SCALE 2:1 SHEET 1 OF 2 REV D5

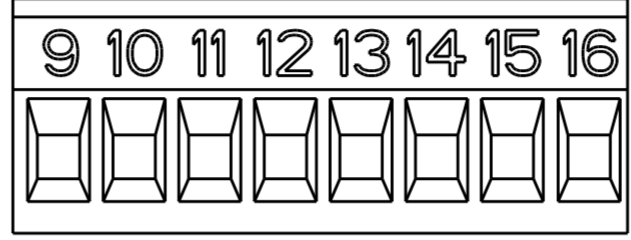
CUSTOMER DRAWING

THIS DRAWING IS UNPUBLISHED. RELEASED FOR PUBLICATION 20
 © COPYRIGHT 20 BY - ALL RIGHTS RESERVED.


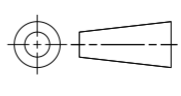
LOC	DIST	REVISIONS					
FT	0	P	LTR	DESCRIPTION	DATE	DWN	APVD
		-		SEE SHEET 1	-	-	-



DETAIL H
SCALE 2:1



DETAIL K
SCALE 2:1

THIS DRAWING IS A CONTROLLED DOCUMENT.		DWN S. WELDON 11SEP2002	 TE Connectivity			
DIMENSIONS: mm		CHK C. RICHARD 11SEP2002			NAME TERMINAL BLOCK, PLUG, STACKING, 5.08mm PITCH	
		APVD C. RICHARD 11SEP2002				
TOLERANCES UNLESS OTHERWISE SPECIFIED:		PRODUCT SPEC	SIZE	CAGE CODE	DRAWING NO	RESTRICTED TO
0 PLC ±	1 PLC ±0.3	-	A2	00779	C-1546108	-
2 PLC ±0.25	3 PLC ±	APPLICATION SPEC	SCALE 2:1		SHEET 2 OF 2	REV D5
4 PLC ±	ANGLES ±2	-	CUSTOMER DRAWING			
MATERIAL	FINISH	WEIGHT				
-	-	-				