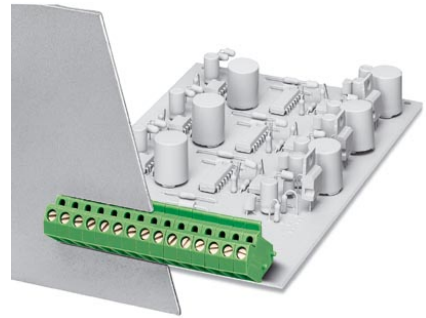


DMKDS 2,5 BU


Order No.: 1740039

The illustration shows a green version

<http://eshop.phoenixcontact.de/phoenix/treeViewClick.do?UID=1740039>

PC terminal block, Nominal current: 26 A, Nom. voltage: 320 V, Pitch: 5 mm, Number of positions: 1, Type of connection: Screw connection, Mounting: Soldering, Color: blue, The article can be aligned to create different nos. of positions!

Commercial data

GTIN (EAN)	 4 017918 028190
sales group	E070
Pack	50 pcs.
Customs tariff	85369010

Product notes

WEEE/RoHS-compliant since:
01/01/2003

<http://www.download.phoenixcontact.com>
Please note that the data given here has been taken from the online catalog. For comprehensive information and data, please refer to the user documentation. The General Terms and Conditions of Use apply to Internet downloads.

Certificates / Approvals



Certification

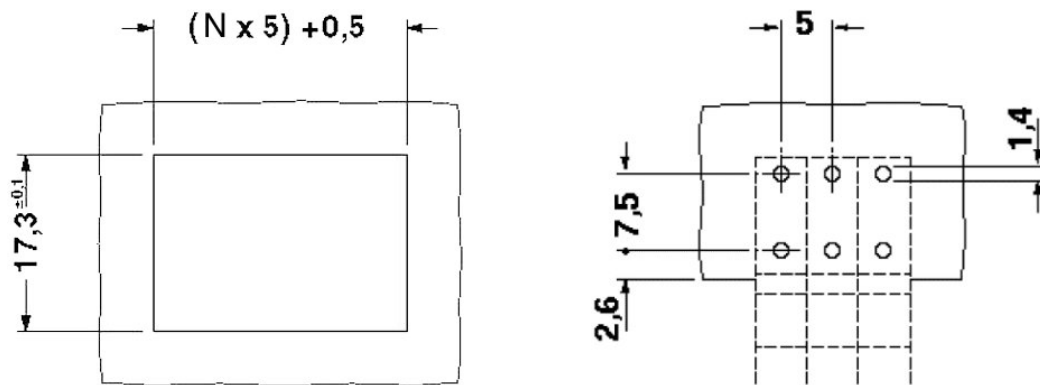
CSA, CUL, UL

Accessories

Item	Designation	Description
Assembly		
1740042	RZ 2,5-DMKDS	Pitch spacer, increases the pitch by 2.5 mm or 2.54 mm, interlocks with terminal block of the same shape
Marking		
0804183	SK 5/3,8:FORTL.ZAHLEN	Marker card, printed horizontally, self-adhesive, 12 identical decades marked 1-10, 11-20 etc. up to 91-(99)100, sufficient for 120 terminal blocks
Plug/Adapter		
0201744	MPS-MT	Test plugs
0201647	RPS	Reducing plug, Color: gray
Tools		
1205053	SZS 0,6X3,5	Actuation tool, for ST terminal blocks, insulated, also suitable for use as a bladed screwdriver, size: 0.6 x 3.5 x 100 mm, 2-component grip, with non-slip grip

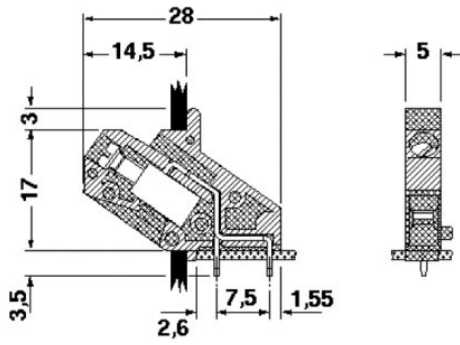
Diagrams/Drawings

Drilling plan/solder pad geometry



Cutout dimensions
 N = No. of positions

Dimensioned drawing



Address

PHOENIX CONTACT Deutschland GmbH
Flachmarktstr. 8
32825 Blomberg, Germany
Phone +49 5235 3 12000
Fax +49 5235 3 41200
<http://www.phoenixcontact.de>



© 2010 Phoenix Contact
Technical modifications reserved;